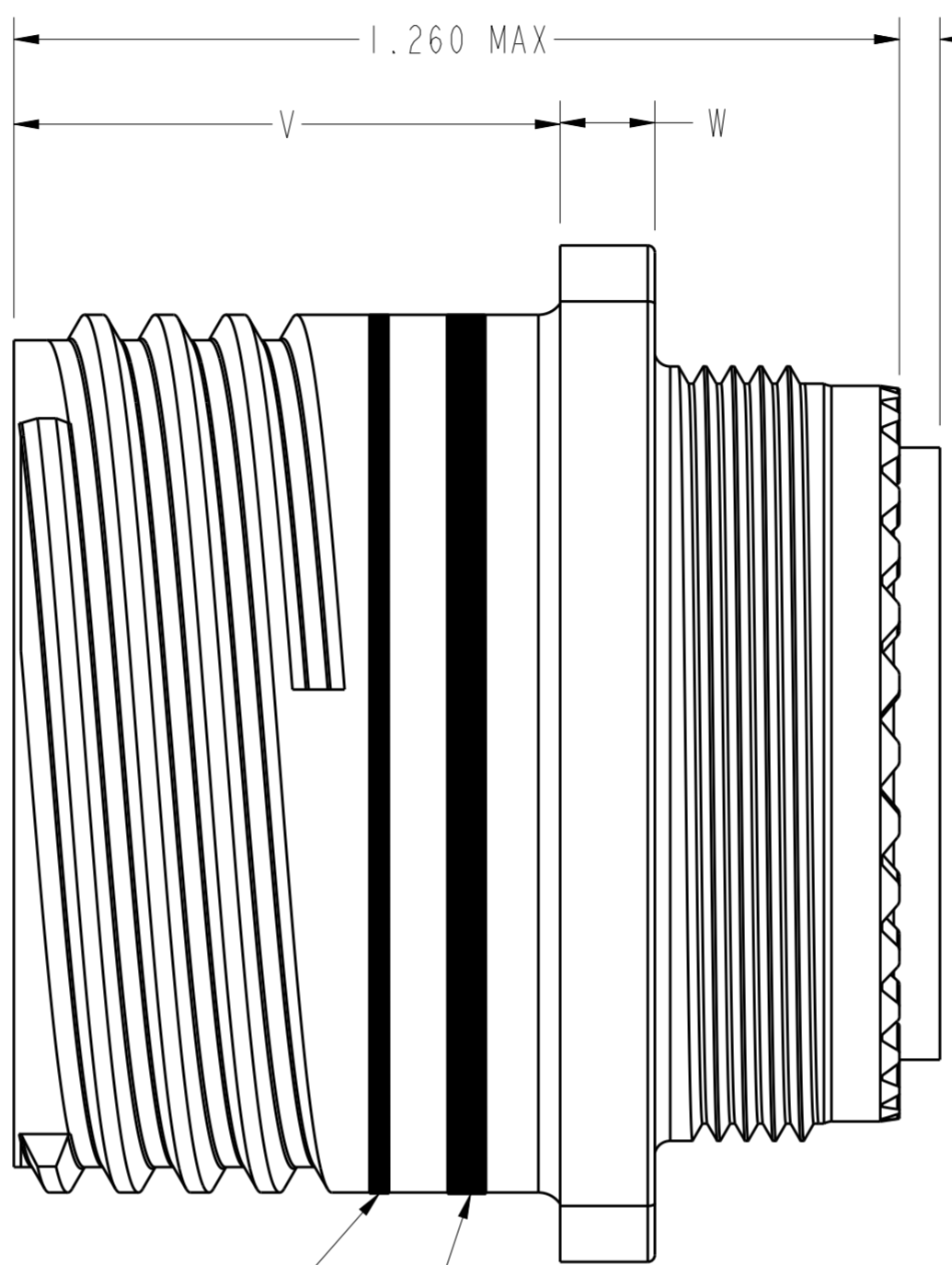
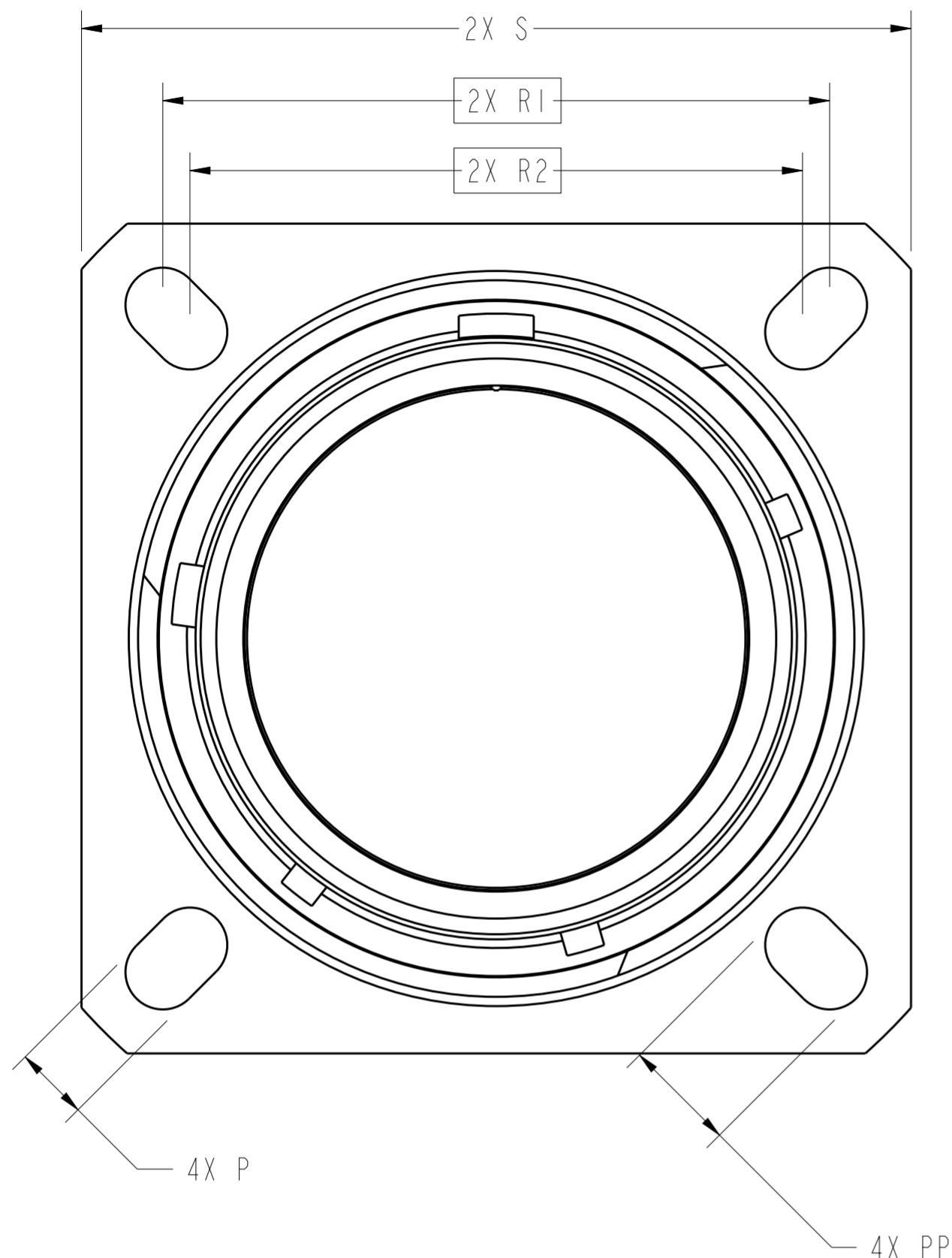


THIS DRAWING IS UNPUBLISHED. RELEASED FOR PUBLICATION 20
 © COPYRIGHT 20 BY - ALL RIGHTS RESERVED.

T.E. PROPRIETARY AND CONFIDENTIAL
 This drawing contains proprietary information that shall not be disclosed, duplicated nor used in whole or in part for any purpose other than to evaluate this drawing.

LOC		DIST		REVISIONS			
P	LTR	DESCRIPTION	DATE	DWN	APVD		
-	-	A	INITIAL RELEASE	180118	PF	AR	



ACT 20 X X XX X X

- KEYING POSITION
- CONTACT CODE
 - P = 500 CYCLE PIN
 - S = 500 CYCLE SOCKET
 - A = LESS PIN
 - B = LESS SOCKET
 - H = 1500 CYCLE PIN
 - J = 1500 CYCLE SOCKET
- INSERT ARRANGEMENT
- SHELL SIZE
- FINISH
 - J = OLIVE DRAB CADMIUM
 - M = NICKEL
- SQUARE FLANGE RECEPTACLE
- GENERAL IDENTIFIER
 - ACT = ALL COMPOSITE TECHNOLOGY

INDICATOR BAND, RED
 INDICATOR BAND, BLUE

PART NUMBER	SHELL SIZE	D THREAD	P ±.008	PP ±.008	R1	R2	S ±.012	V +.055 -.000	W
ACT20xAxxxx	09	M12x1.0-6g 0.100R	.128	.216	.719	.594	.937	.768	.083/.144
ACT20xBxxxx	11	M15x1.0-6g 0.100R	.128	.194	.812	.719	1.032	.768	.083/.144
ACT20xCxxxx	13	M18x1.0-6g 0.100R	.128	.194	.906	.812	1.126	.768	.083/.144
ACT20xDxxxx	15	M22x1.0-6g 0.100R	.128	.173	.969	.906	1.221	.768	.083/.144
ACT20xExxxx	17	M25x1.0-6g 0.100R	.128	.194	1.062	.969	1.311	.768	.083/.144
ACT20xFxxxx	19	M28x1.0-6g 0.100R	.128	.194	1.156	1.062	1.437	.768	.083/.144
ACT20xGxxxx	21	M31x1.0-6g 0.100R	.128	.194	1.250	1.156	1.563	.736	.083/.171
ACT20xHxxxx	23	M34x1.0-6g 0.100R	.154	.242	1.375	1.250	1.689	.736	.083/.171
ACT20xJxxxx	25	M37x1.0-6g 0.100R	.154	.242	1.500	1.375	1.811	.736	.083/.171

- FOR APPLICABLE KEYING DIAGRAM, SEE MIL-DTL-38999. FOR INSERT ARRANGEMENTS, SEE MIL-STD-1560. CONSULT FACTORY FOR AVAILABILITY.
- GENERAL SPECIFICATIONS: THIS CONNECTOR MEETS THE INTERMATEABILITY REQUIREMENTS OF MIL-DTL-38999 SERIES III.
- MATERIAL/FINISH
 - SHELL - COMPOSITE, PLATED.
 - CONTACTS - COPPER ALLOY, DEUTSCHCOAT V (H/J) OR GOLD (P/S).
 - RESILIENT INSERTS - SILICONE ELASTOMER.
 - PLASTIC INSERTS - THERMOPLASTIC.

1. ALL DIMENSIONS ARE IN INCHES UNLESS OTHERWISE SPECIFIED. THREAD CALLOUT IS METRIC.

THIS DRAWING IS A CONTROLLED DOCUMENT.		DWN CRAIG BROWN 150102	STE TE Connectivity
		CHK EHAB ALAWNEH 150102	
DIMENSIONS: INCH	TOLERANCES UNLESS OTHERWISE SPECIFIED:	APVD -	NAME ACT SERIES SQUARE FLANGE ENVELOPE
	0 PLC ±	PRODUCT SPEC -	SIZE A2
	1 PLC ±0.1	APPLICATION SPEC -	CAGE CODE 11139
	2 PLC ±0.01	WEIGHT -	DRAWING NO. ACT20xxxxxx
	3 PLC ±0.005	CUSTOMER DRAWING	RESTRICTED TO -
	4 PLC ±0.0001	SCALE 4.000	SHEET 1 OF 1
	ANGLES ±		REV A

Mouser Electronics

Authorized Distributor

Click to View Pricing, Inventory, Delivery & Lifecycle Information:

[TE Connectivity:](#)

[YACT20MJ43JA000000](#)