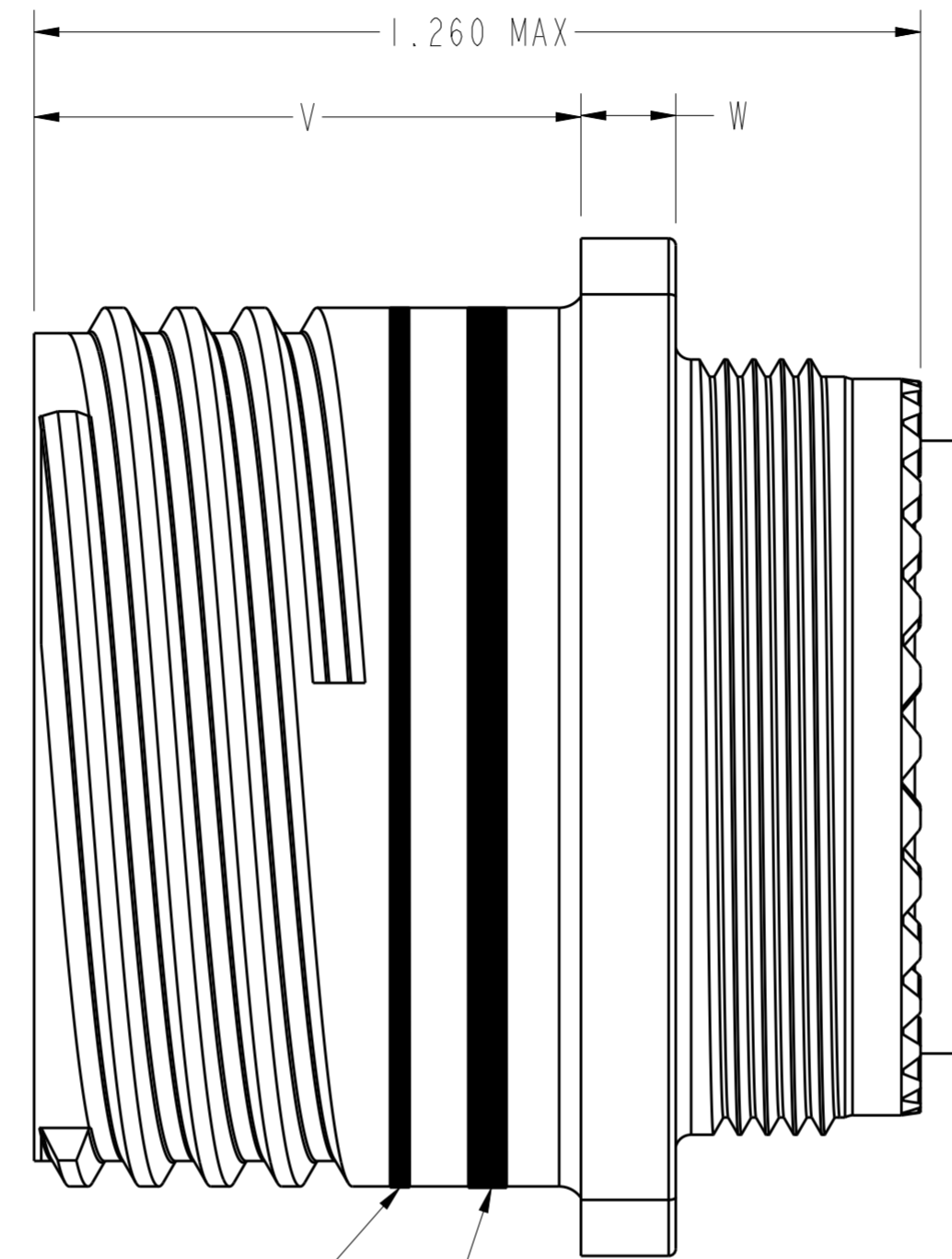
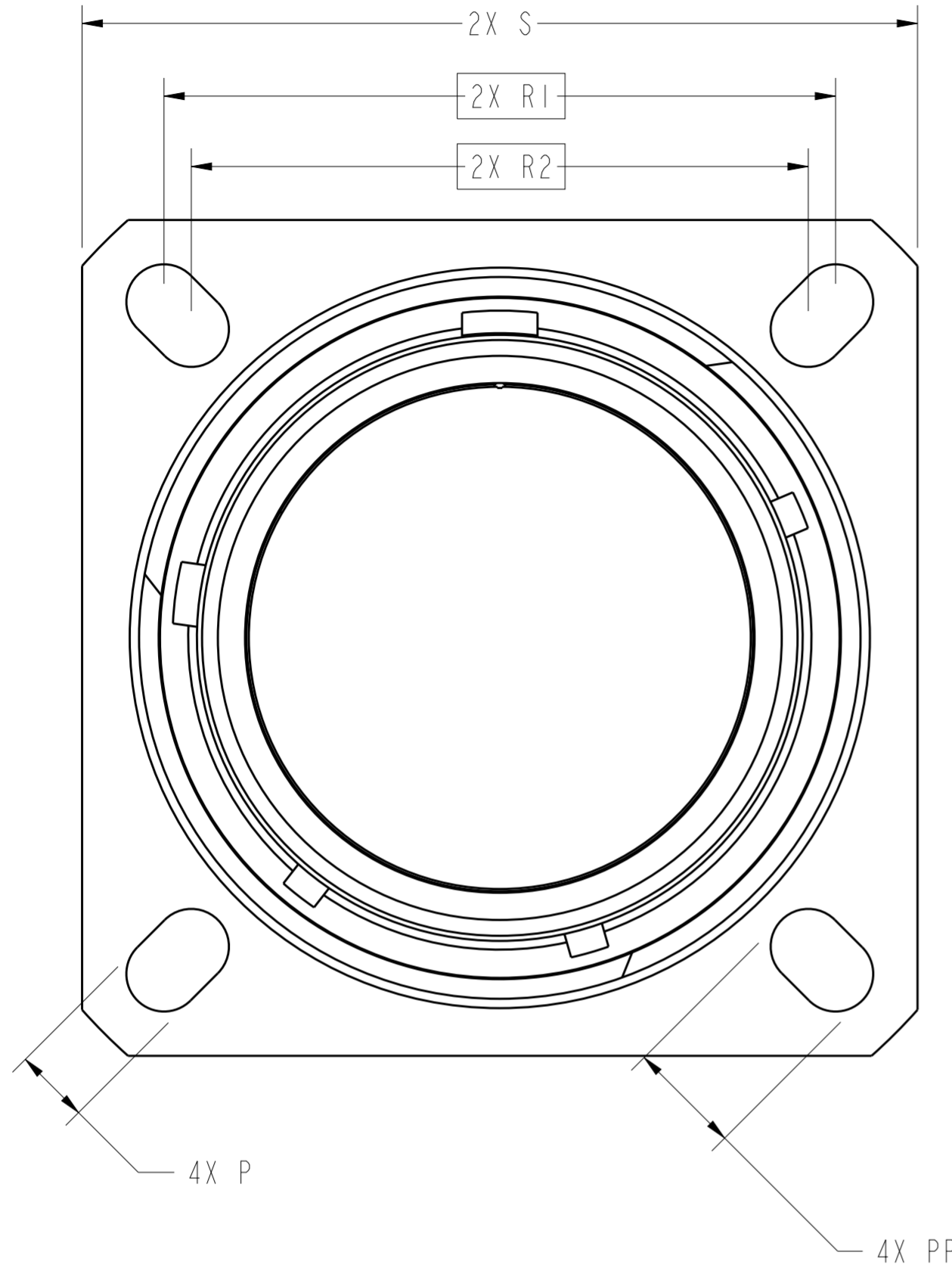


THIS DRAWING IS UNPUBLISHED. RELEASED FOR PUBLICATION 20
 © COPYRIGHT 20 BY - ALL RIGHTS RESERVED.

T.E. PROPRIETARY AND CONFIDENTIAL
 This drawing contains proprietary information that shall not be disclosed, duplicated nor used in whole or in part for any purpose other than to evaluate this drawing.

LOC		DIST		REVISIONS			
P	LTR	DESCRIPTION	DATE	DWN	APVD		
-	-	A	INITIAL RELEASE	180118	PF	AR	



ACT 20 X X XX X X

KEYING POSITION
 CONTACT CODE
 P = 500 CYCLE PIN
 S = 500 CYCLE SOCKET
 A = LESS PIN
 B = LESS SOCKET
 H = 1500 CYCLE PIN
 J = 1500 CYCLE SOCKET

INSERT ARRANGEMENT
 SHELL SIZE
 FINISH
 J = OLIVE DRAB CADMIUM
 M = NICKEL

SQUARE FLANGE RECEPTACLE
 GENERAL IDENTIFIER
 ACT = ALL COMPOSITE TECHNOLOGY

INDICATOR BAND, RED
 INDICATOR BAND, BLUE

PART NUMBER	SHELL SIZE	D THREAD	P ±.008	PP ±.008	R1	R2	S ±.012	V +.055 -.000	W
ACT20xAxxxx	09	M12x1.0-6g 0.100R	.128	.216	.719	.594	.937	.768	.083/.144
ACT20xBxxxx	11	M15x1.0-6g 0.100R	.128	.194	.812	.719	1.032	.768	.083/.144
ACT20xCxxxx	13	M18x1.0-6g 0.100R	.128	.194	.906	.812	1.126	.768	.083/.144
ACT20xDxxxx	15	M22x1.0-6g 0.100R	.128	.173	.969	.906	1.221	.768	.083/.144
ACT20xExxxx	17	M25x1.0-6g 0.100R	.128	.194	1.062	.969	1.311	.768	.083/.144
ACT20xFxxxx	19	M28x1.0-6g 0.100R	.128	.194	1.156	1.062	1.437	.768	.083/.144
ACT20xGxxxx	21	M31x1.0-6g 0.100R	.128	.194	1.250	1.156	1.563	.736	.083/.171
ACT20xHxxxx	23	M34x1.0-6g 0.100R	.154	.242	1.375	1.250	1.689	.736	.083/.171
ACT20xJxxxx	25	M37x1.0-6g 0.100R	.154	.242	1.500	1.375	1.811	.736	.083/.171

- FOR APPLICABLE KEYING DIAGRAM, SEE MIL-DTL-38999. FOR INSERT ARRANGEMENTS, SEE MIL-STD-1560. CONSULT FACTORY FOR AVAILABILITY.
- GENERAL SPECIFICATIONS: THIS CONNECTOR MEETS THE INTERMATEABILITY REQUIREMENTS OF MIL-DTL-38999 SERIES III.
- MATERIAL/FINISH
 SHELL - COMPOSITE, PLATED.
 CONTACTS - COPPER ALLOY, DEUTSCHCOAT V (H/J) OR GOLD (P/S).
 RESILIENT INSERTS - SILICONE ELASTOMER.
 PLASTIC INSERTS - THERMOPLASTIC.

1. ALL DIMENSIONS ARE IN INCHES UNLESS OTHERWISE SPECIFIED.
 THREAD CALLOUT IS METRIC.

THIS DRAWING IS A CONTROLLED DOCUMENT.

DWN CRAIG BROWN 150102
 CHK EHAB ALAWNEH 150102

APVD -

NAME ACT SERIES SQUARE FLANGE ENVELOPE

PRODUCT SPEC -
 APPLICATION SPEC -
 WEIGHT -

SIZE A2 CAGE CODE 11139 DRAWING NO. ACT20xxxxxx RESTRICTED TO -

MATERIAL - FINISH -

CUSTOMER DRAWING SCALE 4.000 SHEET 1 OF 1 REV A

Mouser Electronics

Authorized Distributor

Click to View Pricing, Inventory, Delivery & Lifecycle Information:

[TE Connectivity:](#)

[YACT20MC04PNC00100](#)