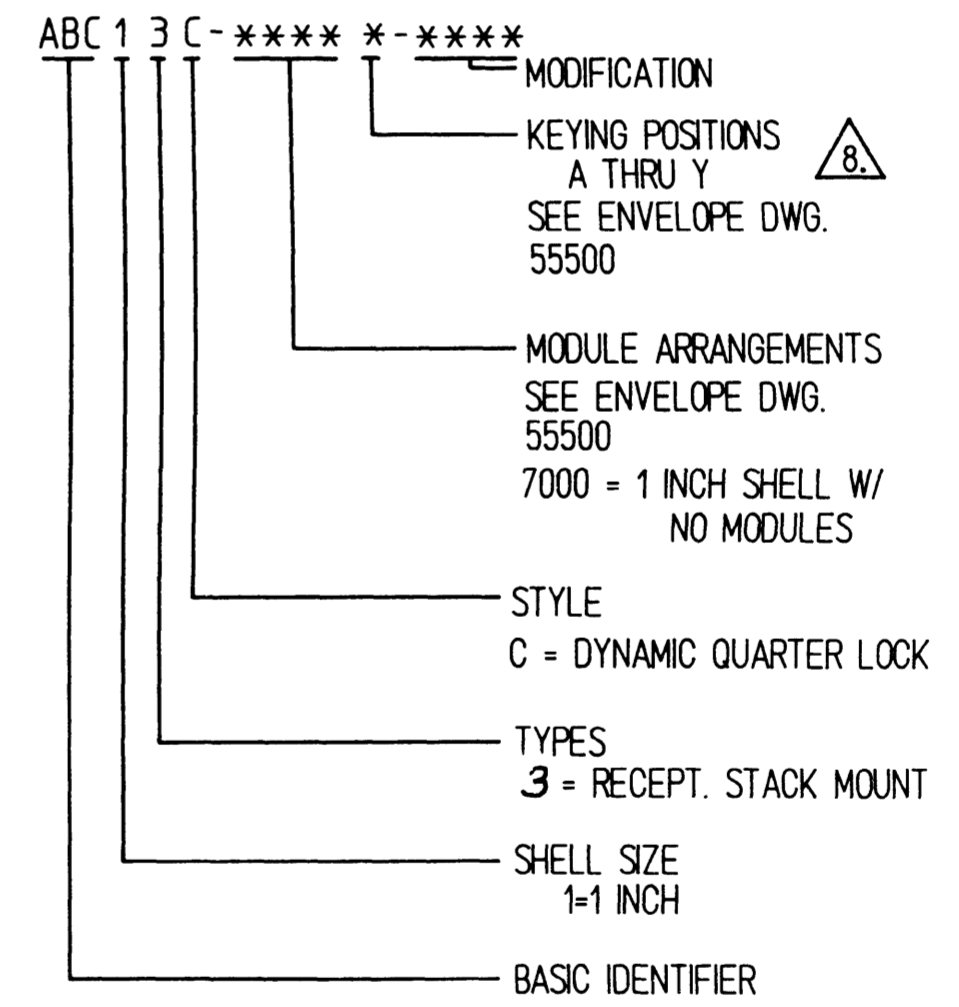
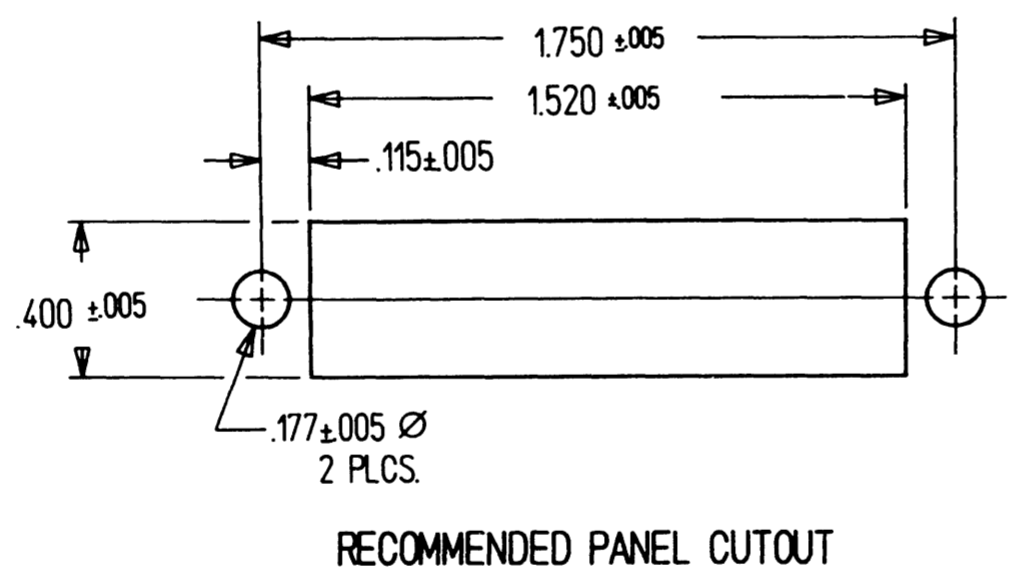
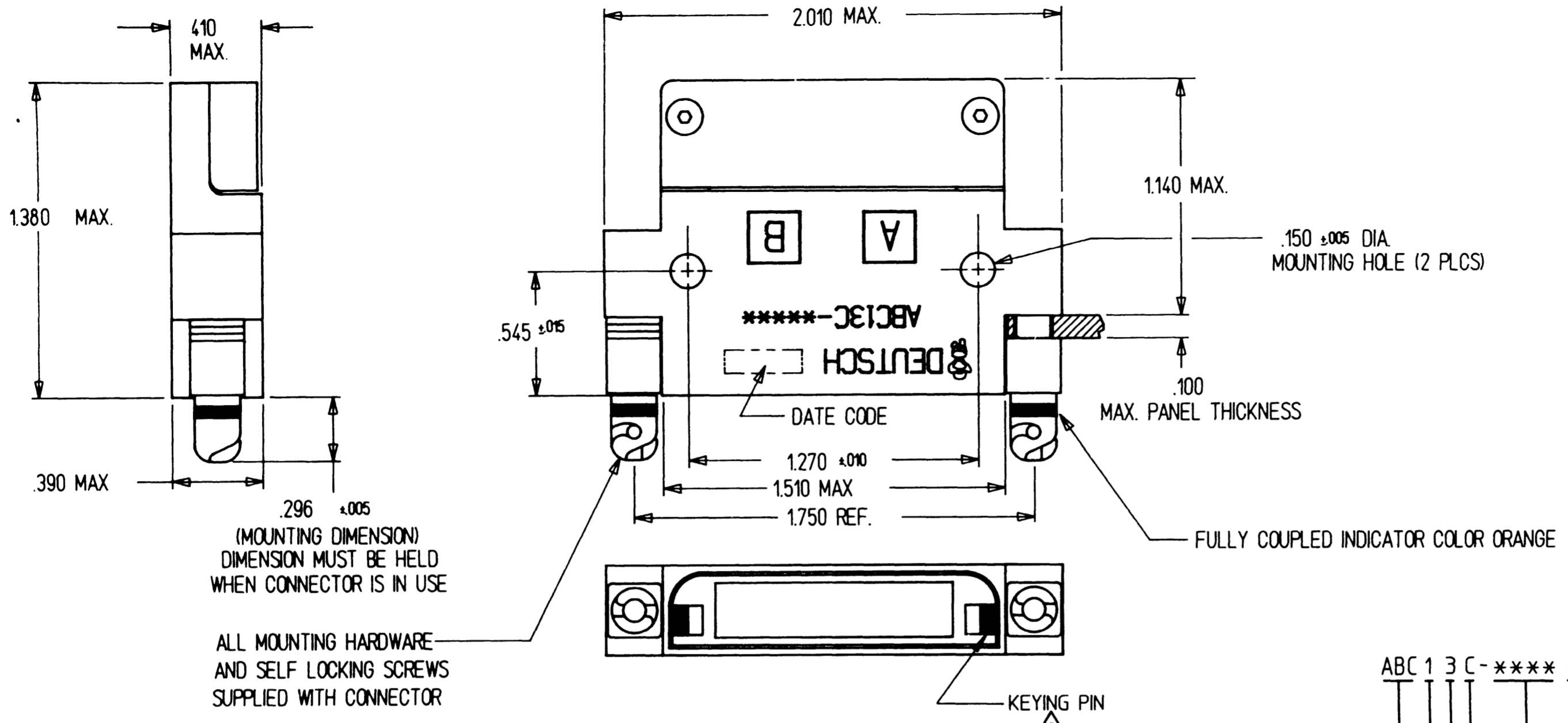


A ABC13C-*****

REV	DESCRIPTION	DATE	APPROVED
N/C	NEW RELEASE PER E. O. A 9887	6/16/89	L.L.A.
A	REVISED PER E.O. A10205	11-5-92	P



8. WHEN NO LETTER IS CALLED OUT KEYING PINS ARE SHIPPED LOOSE AND INSTALLED BY CUSTOMER EXAMPLE P/N: ABC13C-7000. IF LETTER A-Y IS CALLED OUT FACTORY INSTALLS KEYING PINS EXAMPLE P/N ABC13C-7000A.

- FOR INSERT ARRANGEMENTS AND KEYING POSITIONS SEE ENVELOPE DRAWING 55500.
- SEE DEUTSCH ENVELOPE DRAWINGS FOR CRIMP TOOL AND POSITIONER AND SOCKET CONTACTS 12336-** AND PIN CONTACTS 12331-**.
- MATES WITH ABC PLUG CONNECTOR.
- FINISH: SHELL DEUTSCH SPECIAL METALIZED SURFACE.
- MATERIAL: SHELL COMPOSITE MATERIAL. METAL COMPONENTS STAINLESS STEEL.
- FOR AVAILABILITY CONSULT FACTORY.
- DIMENSIONS ARE IN INCHES UNLESS OTHERWISE SPECIFIED.

NOTE:

SIGNATURE & DATE	
DR	TIM HOLT 5/3/89
CHK	L.L.A. 6/16/89
PE	TIM HOLT 5/3/89
APPD	
SCALE	NONE
WT	

RECEPTACLE
1 INCH
STACK MOUNTING
DYNAMIC QUARTER LOCK COUPLING
ABC CONNECTOR
ENVELOPE

CP	MATL CODE
DEUTSCH ENGINEERED CONNECTING DEVICES Municipal Airport Banning, California	
C	ABC13C-*****
DWG SIZE	CODE 1139 SHEET 1 OF 1

Mouser Electronics

Authorized Distributor

Click to View Pricing, Inventory, Delivery & Lifecycle Information:

[TE Connectivity:](#)

[ABC13C-7066B-7069](#)