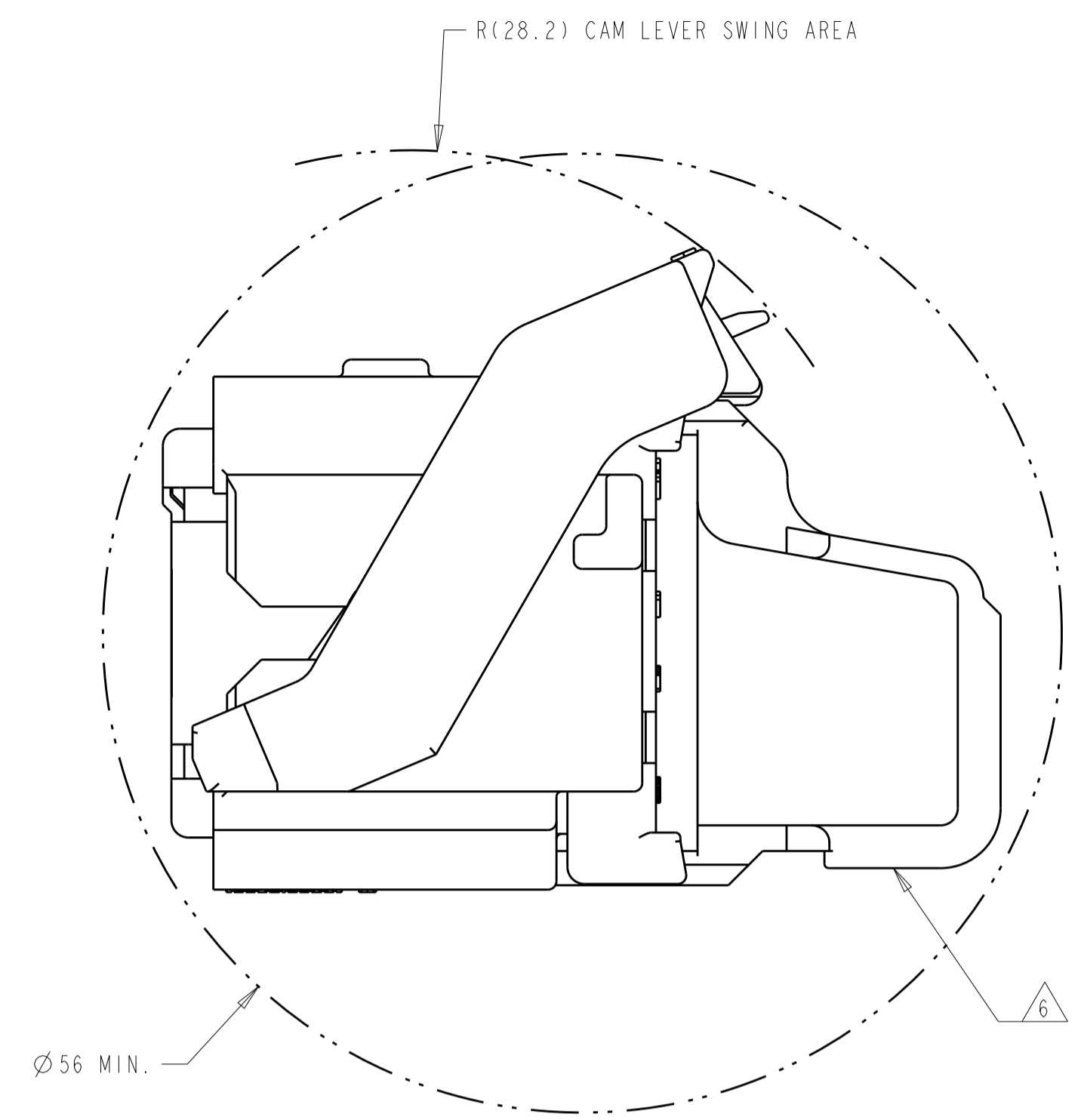
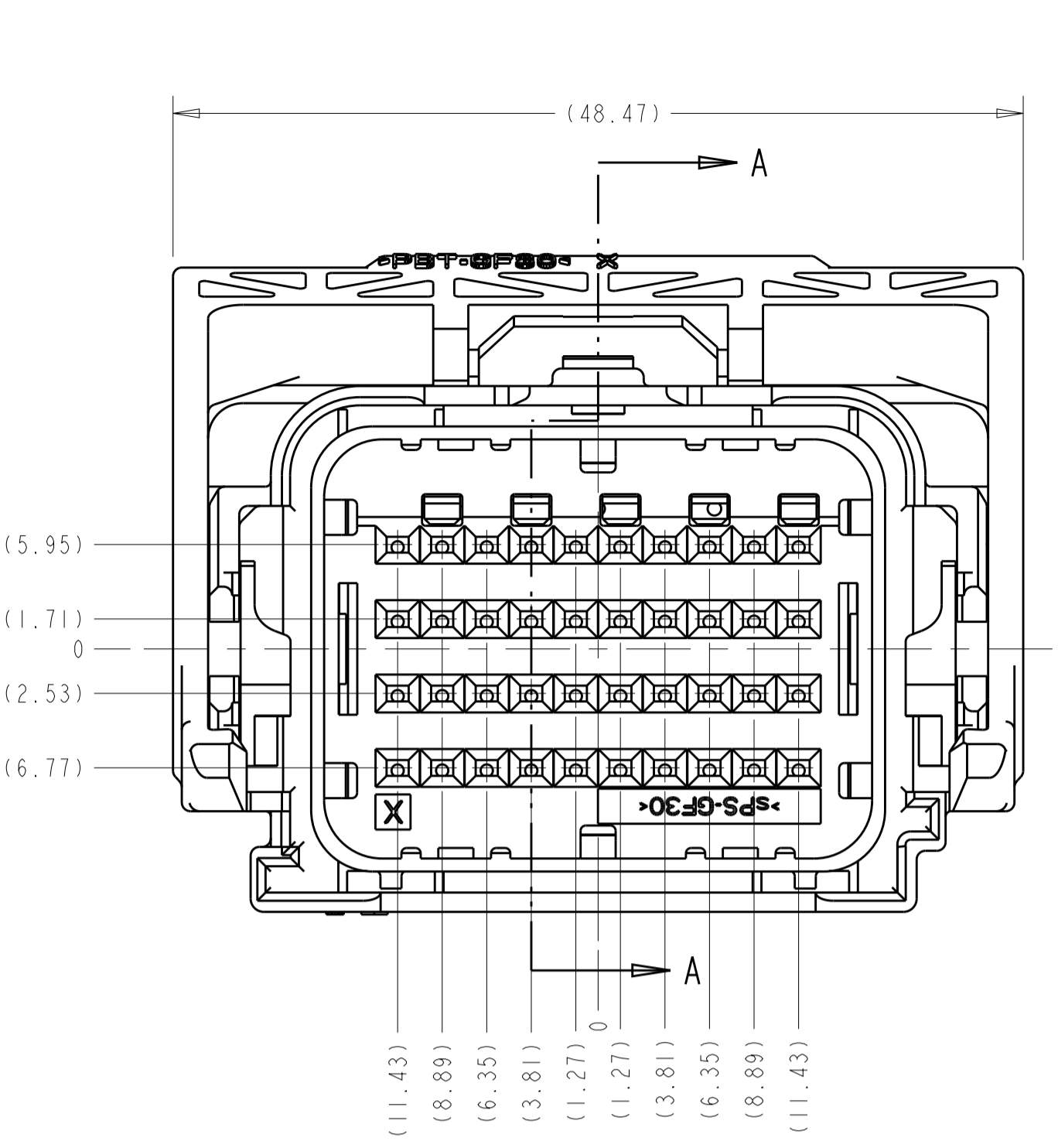
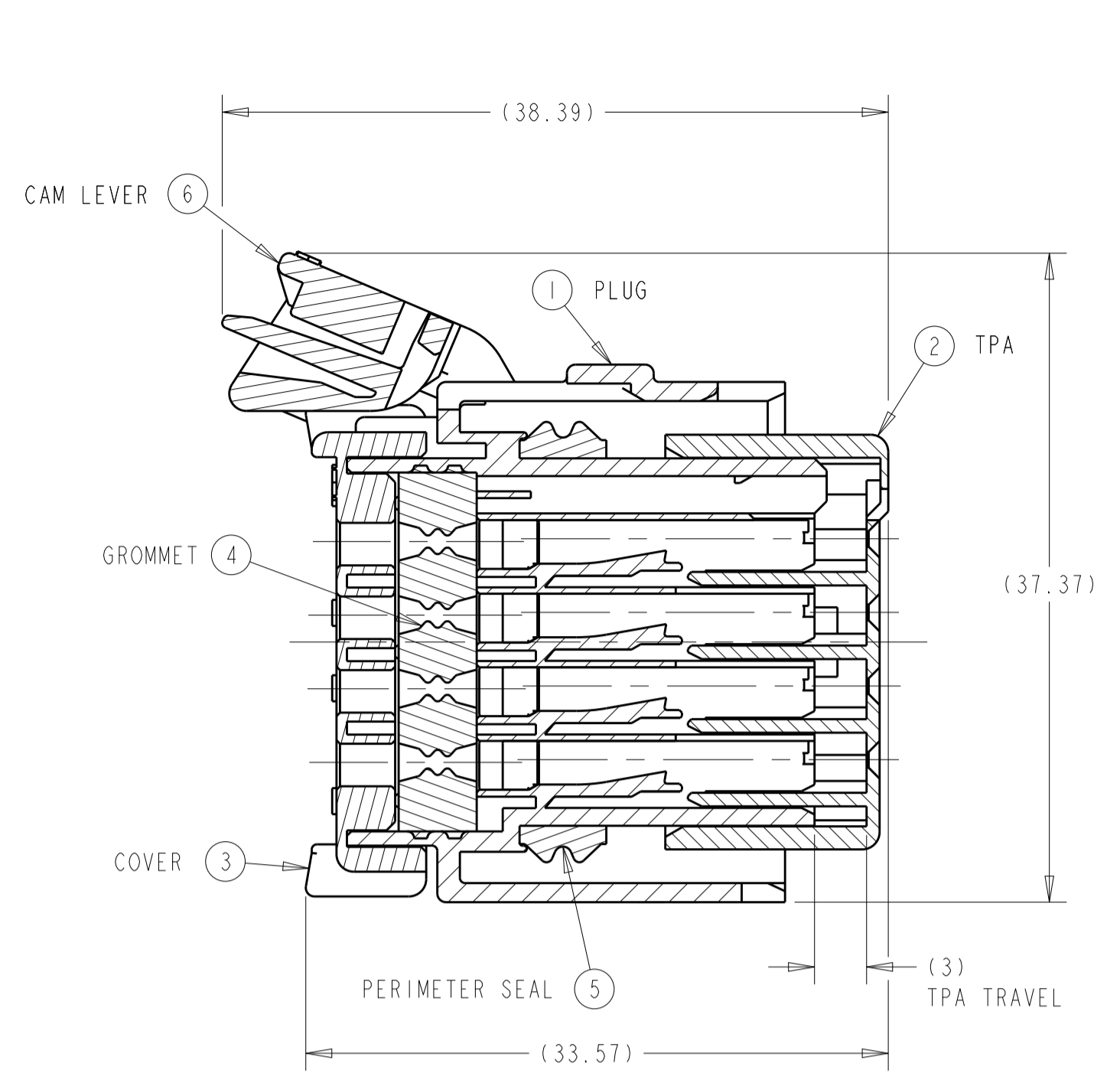
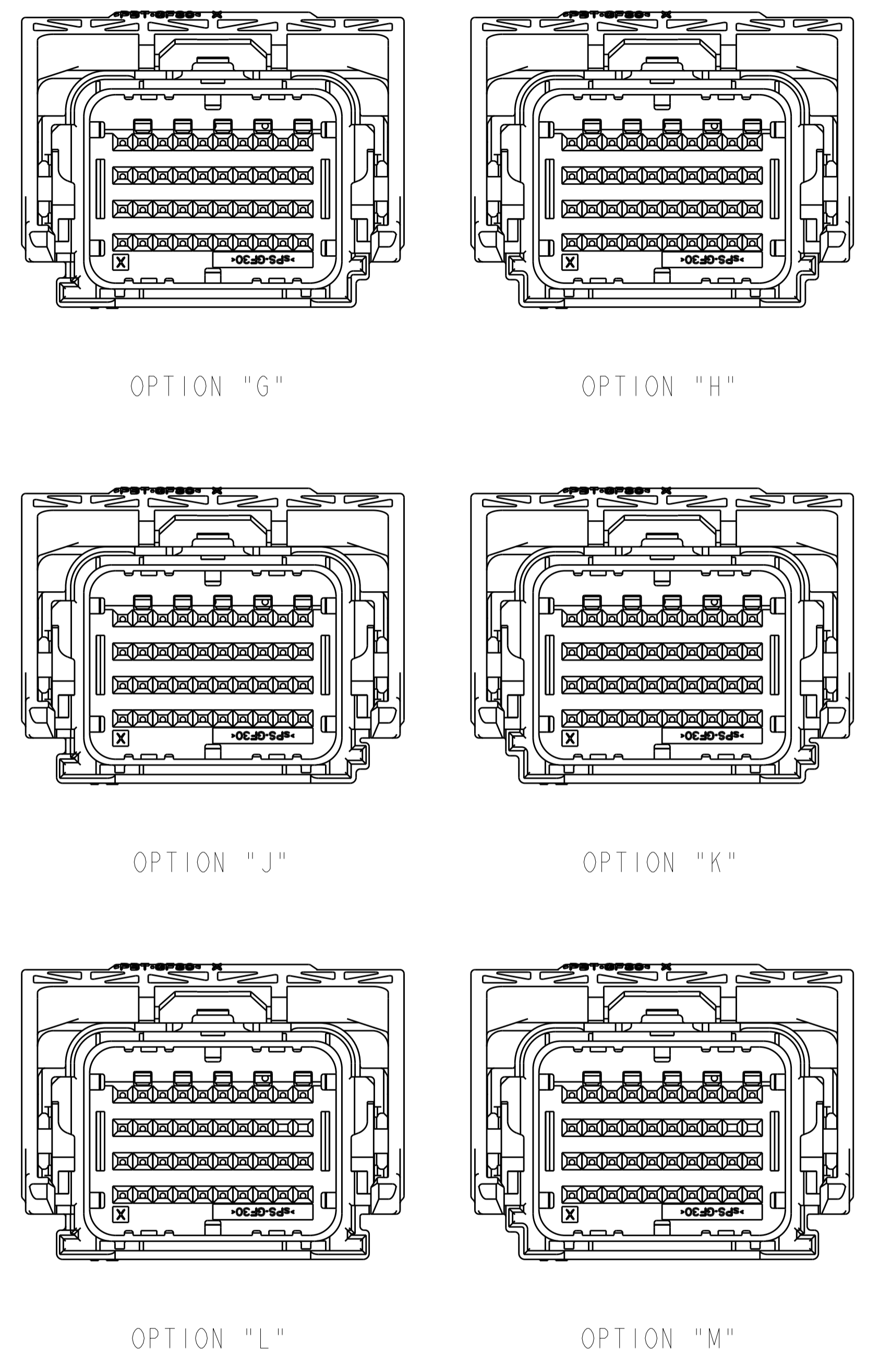


REVISIONS					
P.	LTN	DESCRIPTION	DATE	OWN	APVD
CH		REVISED PER ECO-18-002641	22FEB2018	JMS	WW
CJ		REVISED PER ECO-18-013531	30AUG2018	JMS	WW
CK		REV PER ECO-19-007173	17MAY2019	RGV	WW
CKI		REVISED PER ECO-20-012739	05OCT2020	AP	WW



KEYING OPTIONS
SCALE 2:1

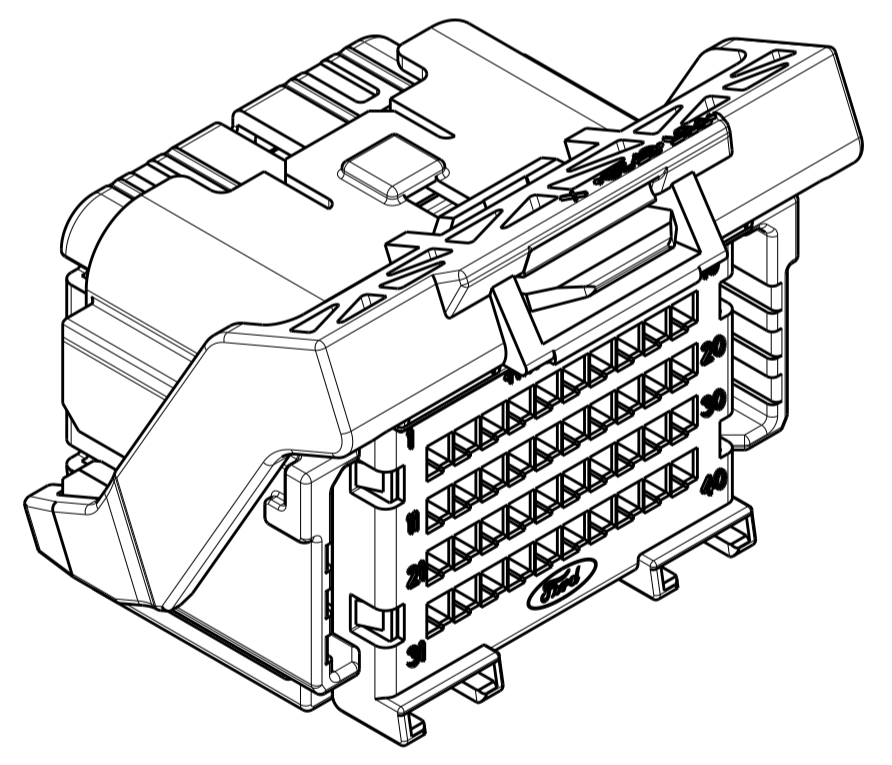
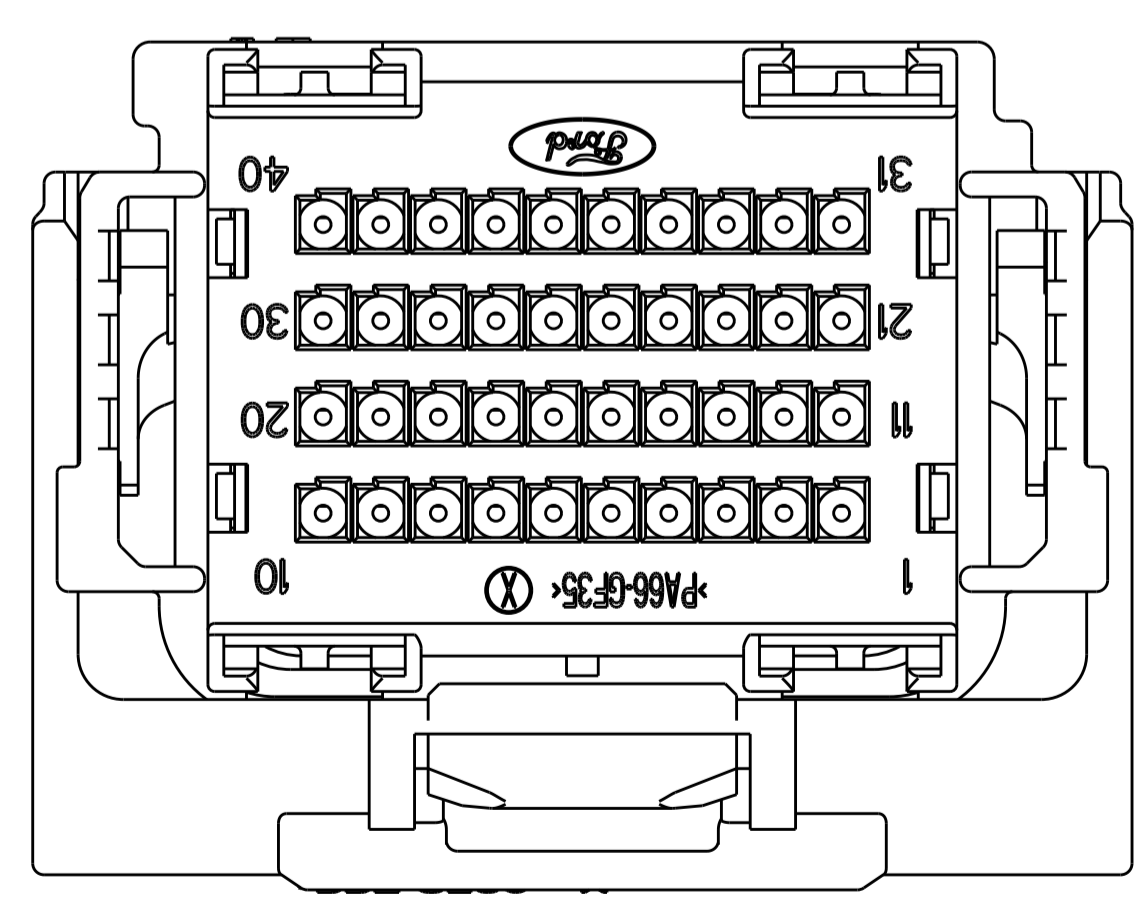
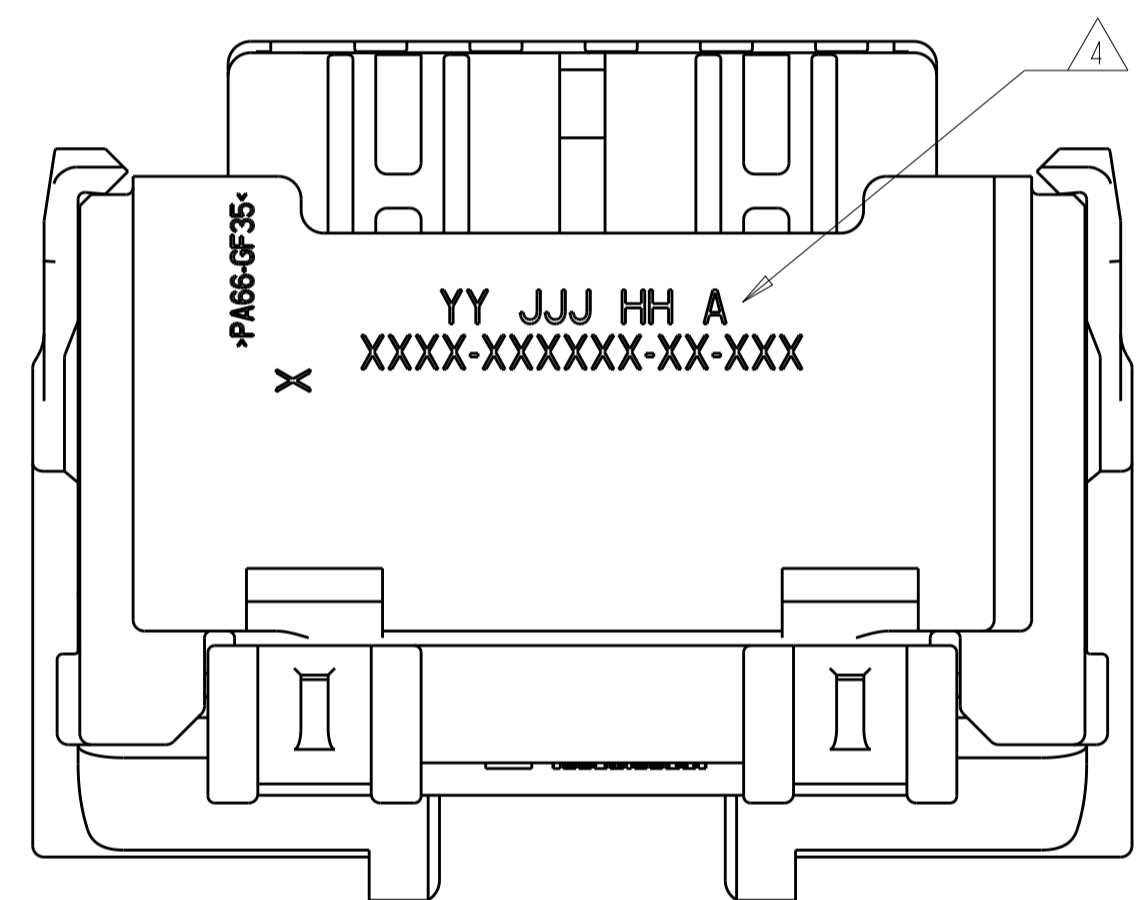
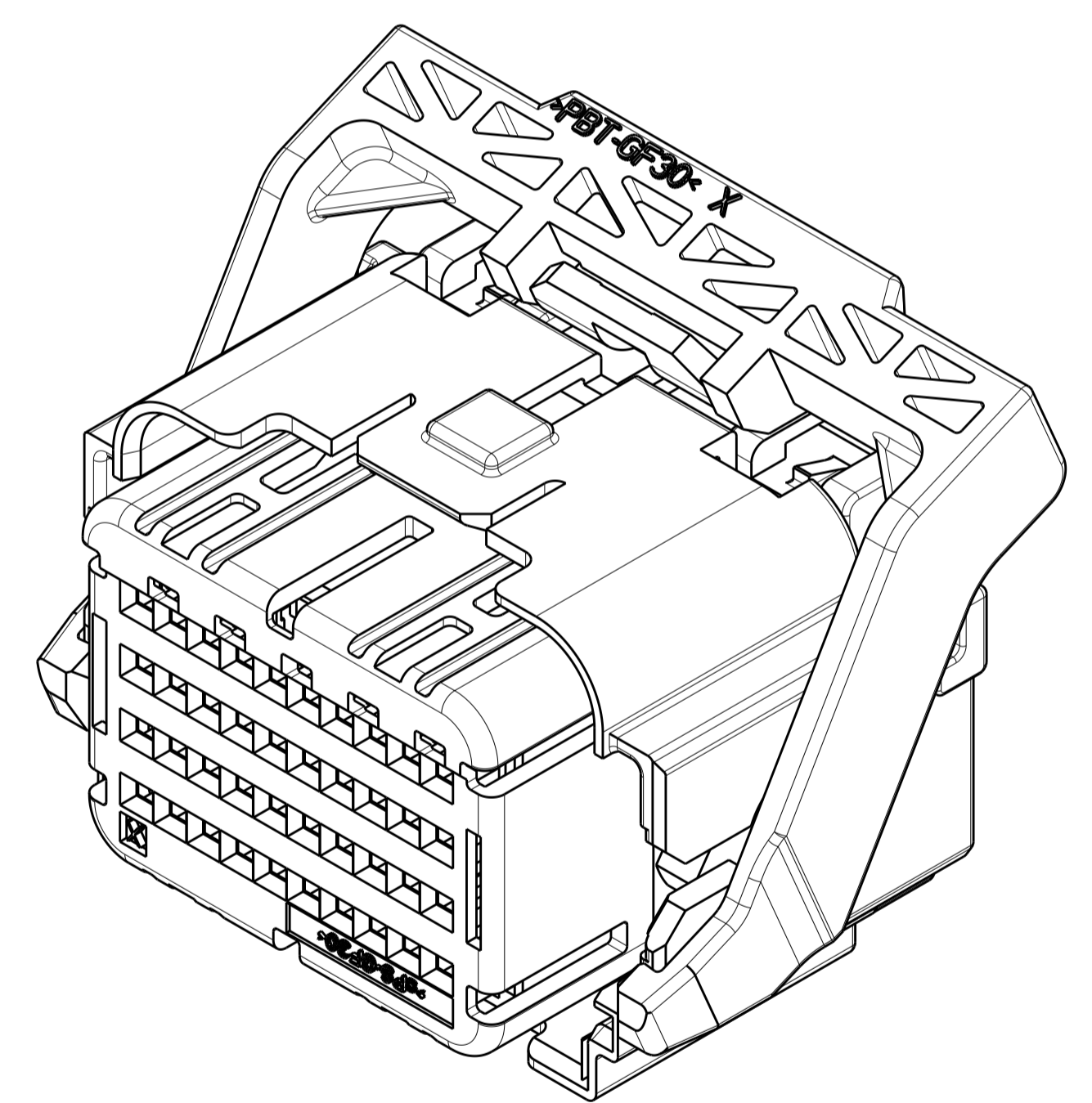


SECTION A-A
SHOWN WITH CAM LEVER
AND TPA IN THEIR
PRE-LOADED POSITIONS
(DELIVERY CONDITION)

MINIMUM FEED THROUGH CONDITION
WITH 1mm CLEARANCE ALL AROUND
SHOWN WITH OPTION WIRESHIELD
TPA IS IN IT'S LOADED POSITION
CAM LEVER IS IN IT'S PRE-LOADED POSITION

SCALE 2:1

SCALE 1:1



THIS VIEW SHOWS THE
OPTIONAL CAM LEVER

- APPLICABLE TERMINAL PART NUMBERS (SOLD SEPARATELY):
FOR TIN APPLICATIONS: 1393367 AND 1393366,
FOR GOLD APPLICATIONS: 1393365 AND 1393364,
FOR TERMINATION AND REELING OPTIONS
SEE DRAWINGS 1393367, 1393366, 1393365, AND 1393364.
- COMPATIBLE WIRE SIZES FOR MAT SEAL DESIGN 1.19 TO 2.06 O.D.
(22-18 AWG, 0.35-0.75 mm)
- TPA AND CAM LEVER ARE SHIPPED IN THEIR PRE-LOADED POSITION.
ALL ASSEMBLIES ARE TO BE TRAY PACKAGED.
- CUSTOMER PART NUMBER AND TRACEABILITY CODE (YY = TWO DIGIT YEAR,
JJJ = JULIAN DAY, HH = TWO DIGIT MILITARY HOUR, A = ASSEMBLY PROCESS
USED) ARE PRINTED IN THIS LOCATION.
- PART ASSEMBLY WEIGHT WITHOUT TERMINALS AND WITH STANDARD PIN-OUT
CONFIGURATION IS 24.71 GRAMS.
- OPTIONAL WIRESHIELD P/N 8-1419157-8 (SOLD SEPARATELY). PLEASE CONTACT
YOUR TE SALES REPRESENTATIVE FOR AVAILABILITY AND PRICING.
- OBSOLETE PART.

KEYING OPTION "G" SHOWN
SEE SHEET 2 FOR BILL OF
MATERIAL AND PIN-OUT CHARTS

THIS DRAWING IS A CONTROLLED DOCUMENT.		OWN: M. FORLSKA 19APR2002	
DIMENSIONS: mm		CHK: M. FORLSKA 19APR2002	
TOLERANCES UNLESS OTHERWISE SPECIFIED:		APVD: A. VALASEK 19APR2002	NAME: 40 WAY ARM, PLUG ASSEMBLY WITHOUT SHORTING BARS, CUSTOMER SPEC.
0 PLC ±0.3		PRODUCT SPEC	
1 PLC ±0.10		APPLICATION SPEC	SIZE: CAGE CODE DRAWING NO: RESTRICTED TO A1 00779 C=8-1419157-7
2 PLC ±0.10		WEIGHT: SEE NOTE 5	
3 PLC ±0.10		CUSTOMER DRAWING	SCALE: 3:1 SHEET 1 OF 5
4 PLC ±0.10			CKI
ANGLES ±0.5°			
FINISH			

ASSEMBLY PART NUMBERS. Table with columns for item numbers (e.g., 5-1924513-8) and corresponding descriptions.

QUANTITY. A row of empty cells for entering quantities.

Table with columns: ITEM, DESCRIPTION, MATERIAL, FINISH/COLOR. Contains detailed part information and material specifications.

ASSEMBLY PART NUMBERS. Table with columns for item numbers (e.g., 3-1438098-2) and corresponding descriptions.

QUANTITY. A row of empty cells for entering quantities.

Table with columns: ITEM, DESCRIPTION, MATERIAL, FINISH/COLOR. Contains detailed part information and material specifications.

ASSEMBLY PART NUMBERS. Table with columns for item numbers (e.g., 4-1438099-0) and corresponding descriptions.

QUANTITY. A row of empty cells for entering quantities.

Table with columns: ITEM, DESCRIPTION, MATERIAL, FINISH/COLOR. Contains detailed part information and material specifications.

Technical specifications including DIMENSIONS (mm), TOLERANCES UNLESS OTHERWISE SPECIFIED (e.g., 0 PLC ±0.3), MATERIAL (SEE CHART ON SHEET 2), and FINISH.

Administrative and identification information including drawing title (40 WAY ARM, PLUG ASSEMBLY WITHOUT SHORTING BARS, CUSTOMER SPEC.), drawing number (A1 00779 C=8-1419157-7), scale (3:1), and sheet number (2 of 5).

REVISIONS				
P.	LTN	DESCRIPTION	DATE	OWN APVD
-	-	SEE SHEET 1	-	-

ASSEMBLY PART NUMBERS																	
													6-1924513-1	6	CAM LEVER	PBT 30% GF	GRAY
													1	6	CAM LEVER WITH MODIFIED TAB	PA66 35% GF	GRAY
													1	6	CAM LEVER WITH MODIFIED TAB	PBT 30% GF	GRAY
													1	5	PERIMETER SEAL	SILICONE	GREEN
													1	4	GROMMET	SILICONE	BROWN
													1	3	COVER	PA66 35% GF	BLACK
													1	2	TPA FOR NON-SHORTING BAR APPLICATIONS	sPS 30% GF	NATURAL
														2	TPA FOR NON-SHORTING BAR APPLICATIONS	sPS 30% GF	RED
														1	PLUG WITH KEYING OPTION "K" AND 5 SHORTING BAR POSITIONS CONFIGURATION	PA66 35% GF	BLACK
														1	PLUG WITH KEYING OPTION "L" AND 5 SHORTING BAR POSITIONS CONFIGURATION	PA66 35% GF	BLACK
													1	1	PLUG WITH KEYING OPTION "J" AND 5 SHORTING BAR POSITIONS CONFIGURATION	PA66 35% GF	BLACK
														1	PLUG WITH KEYING OPTION "H" AND 5 SHORTING BAR POSITIONS CONFIGURATION	PA66 35% GF	BLACK
														1	PLUG WITH KEYING OPTION "G" AND 5 SHORTING BAR POSITIONS CONFIGURATION	PA66 35% GF	BLACK
QUANTITY													ITEM	DESCRIPTION	MATERIAL	FINISH/COLOR	

ASSEMBLY PART NUMBERS																		
													2138987-2	1	6	CAM LEVER	PBT 30% GF	GRAY
													2138987-1	1	6	CAM LEVER WITH MODIFIED TAB	PA66 35% GF	GRAY
														1	6	CAM LEVER WITH MODIFIED TAB	PBT 30% GF	GRAY
														1	5	PERIMETER SEAL	SILICONE	GREEN
														1	4	GROMMET	SILICONE	BROWN
														1	3	COVER	PA66 35% GF	BLACK
														2	TPA FOR NON-SHORTING BAR APPLICATIONS	sPS 30% GF	NATURAL	
														2	TPA FOR NON-SHORTING BAR APPLICATIONS	sPS 30% GF	RED	
														1	PLUG WITH KEYING OPTION "K" AND 5 SHORTING BAR POSITIONS CONFIGURATION	PA66 35% GF	BLACK	
														1	PLUG WITH KEYING OPTION "L" AND 5 SHORTING BAR POSITIONS CONFIGURATION	PA66 35% GF	BLACK	
														1	PLUG WITH KEYING OPTION "J" AND 5 SHORTING BAR POSITIONS CONFIGURATION	PA66 35% GF	BLACK	
														1	PLUG WITH KEYING OPTION "H" AND 5 SHORTING BAR POSITIONS CONFIGURATION	PA66 35% GF	BLACK	
														1	PLUG WITH KEYING OPTION "G" AND 5 SHORTING BAR POSITIONS CONFIGURATION	PA66 35% GF	BLACK	
QUANTITY													ITEM	DESCRIPTION	MATERIAL	FINISH/COLOR		

THIS DRAWING IS A CONTROLLED DOCUMENT. DIMENSIONS: mm. TOLERANCES UNLESS OTHERWISE SPECIFIED: 0 PLC ±0.3, 1 PLC ±0.10, 2 PLC ±0.10, 3 PLC ±0.10, 4 PLC ±0.10, 5 PLC ±0.10, 6 PLC ±0.10, ANGLES ±0.10, FINISH: -.

OWN: M. FORLSKA, 19APR2002. CHK: M. FORLSKA, 19APR2002. APVD: A. VALASEK, 19APR2002.

NAME: 40 WAY ARM, PLUG ASSEMBLY WITHOUT SHORTING BARS, CUSTOMER SPEC.

SIZE: A1, CAGE CODE: 00779, DRAWING NO: 8-1419157-7, SHEET 3 OF 5, SCALE: 3:1, REV: CK1.

TE Connectivity logo.

PIN-OUT CHART table with columns for terminal positions (1-40) and rows for various part numbers and key types (KEY 'J', KEY 'H', KEY 'L', KEY 'K', KEY 'G').

PIN-OUT CHART table for part number 2098034-1, showing terminal positions and key types (KEY 'H', KEY 'L').

TERMINAL HOLE POSITION. CAVITIES WITH A NUMERIC SYMBOL INDICATE CLOSED TERMINAL HOLE POSITIONS. BLANK CAVITIES INDICATE OPEN TERMINAL HOLE POSITIONS.

Technical drawing information including dimensions, tolerances, material, and customer drawing details.

Mouser Electronics

Authorized Distributor

Click to View Pricing, Inventory, Delivery & Lifecycle Information:

[TE Connectivity:](#)

[1924513-5](#)