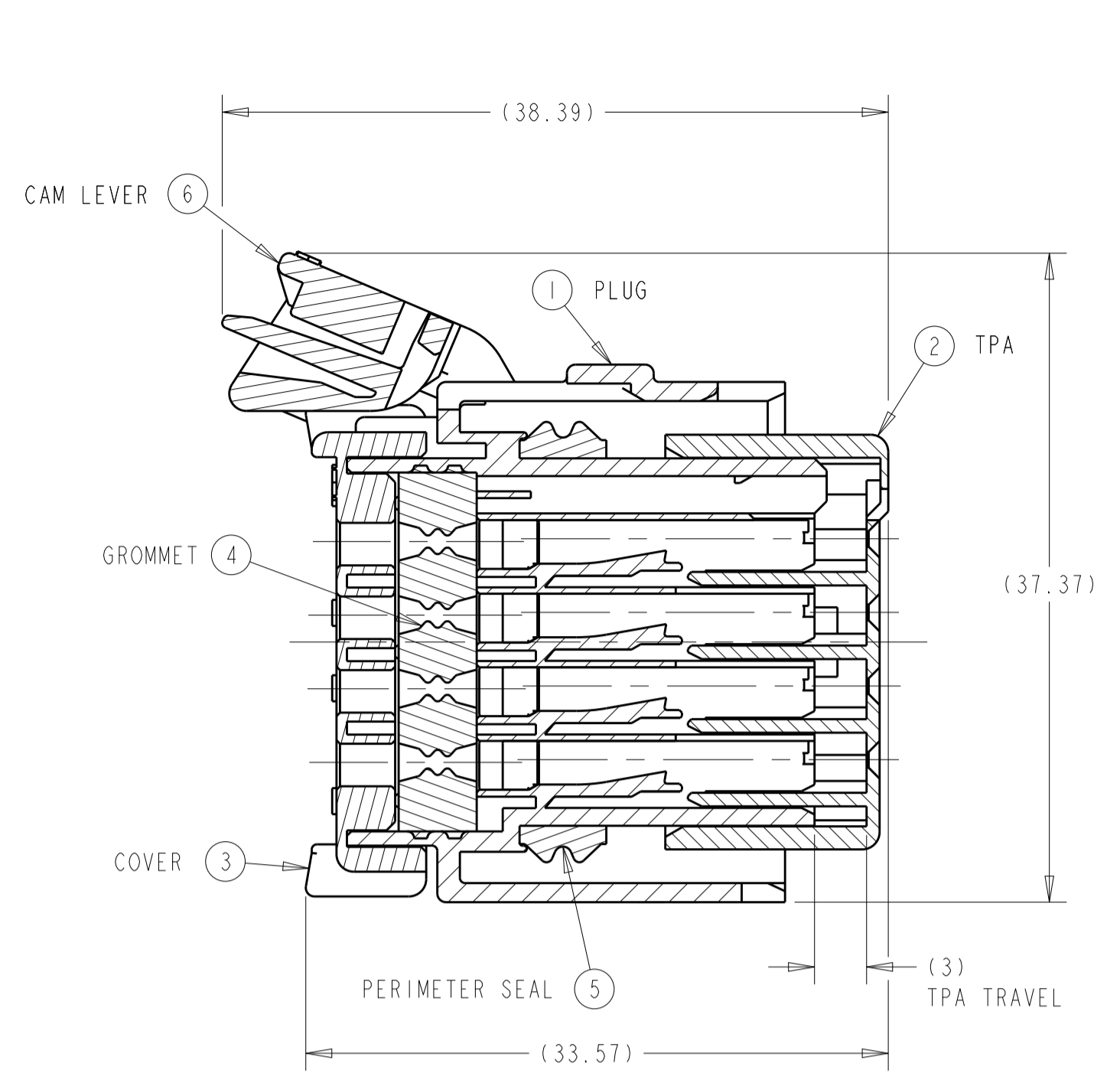
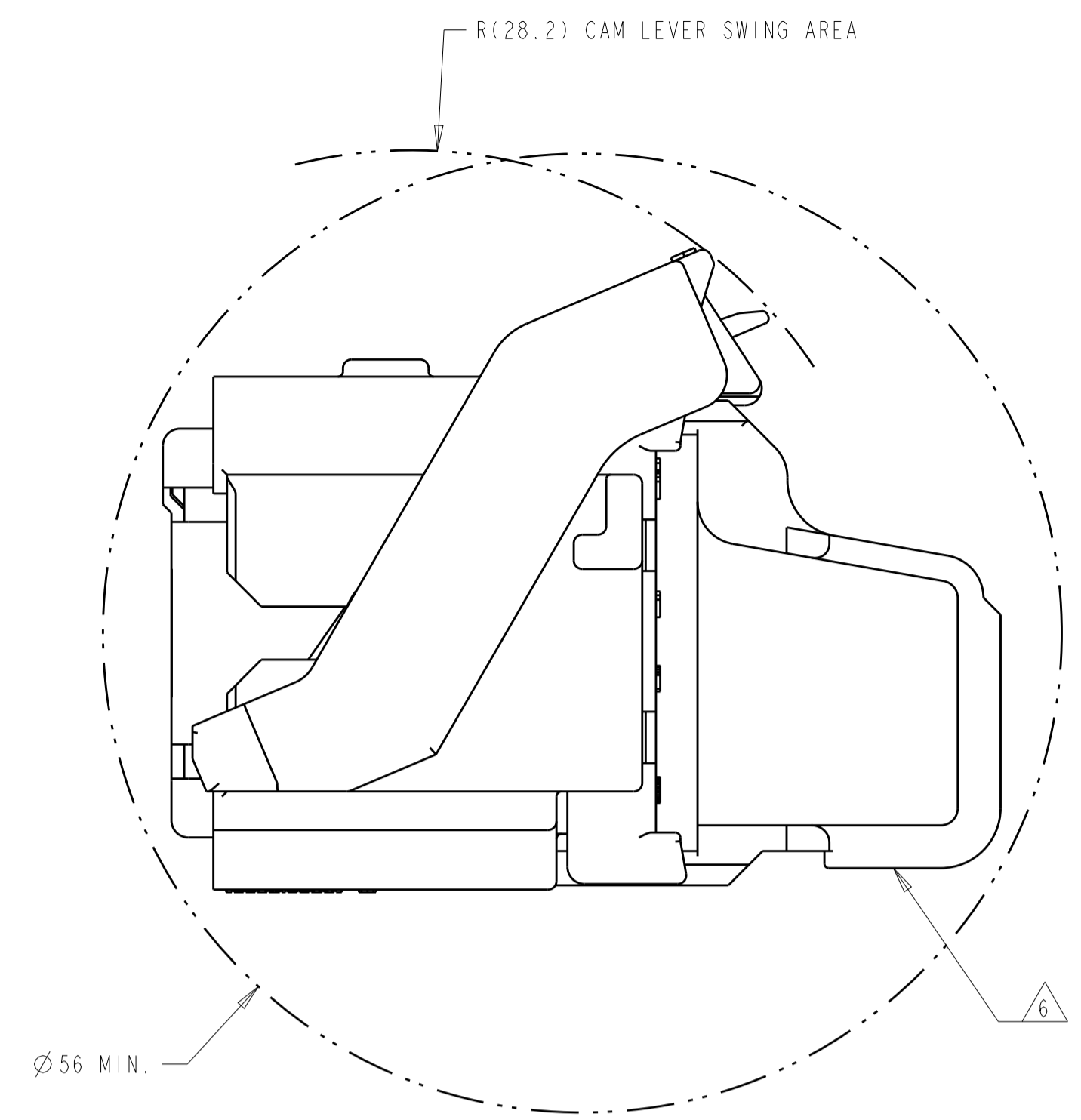
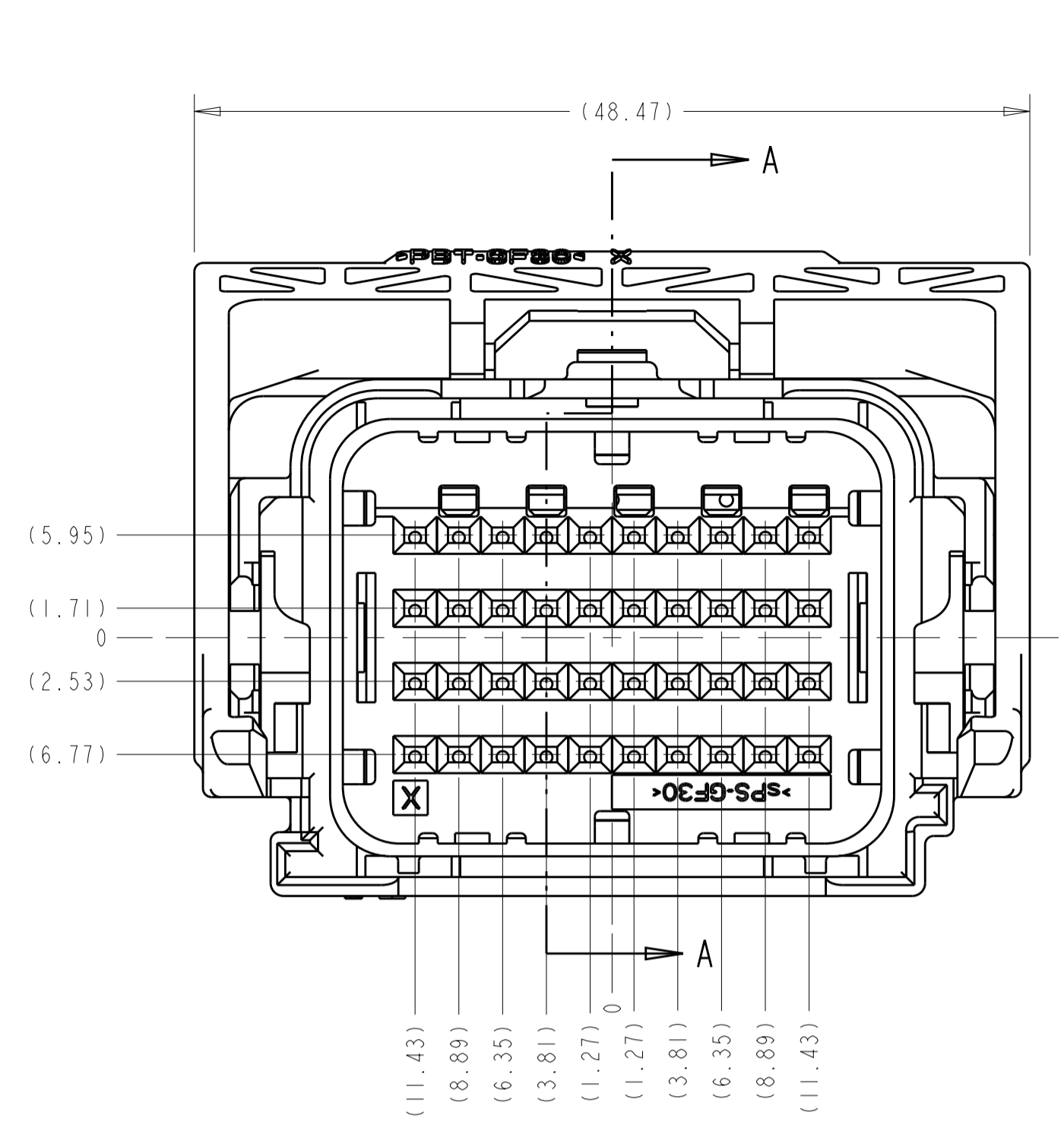


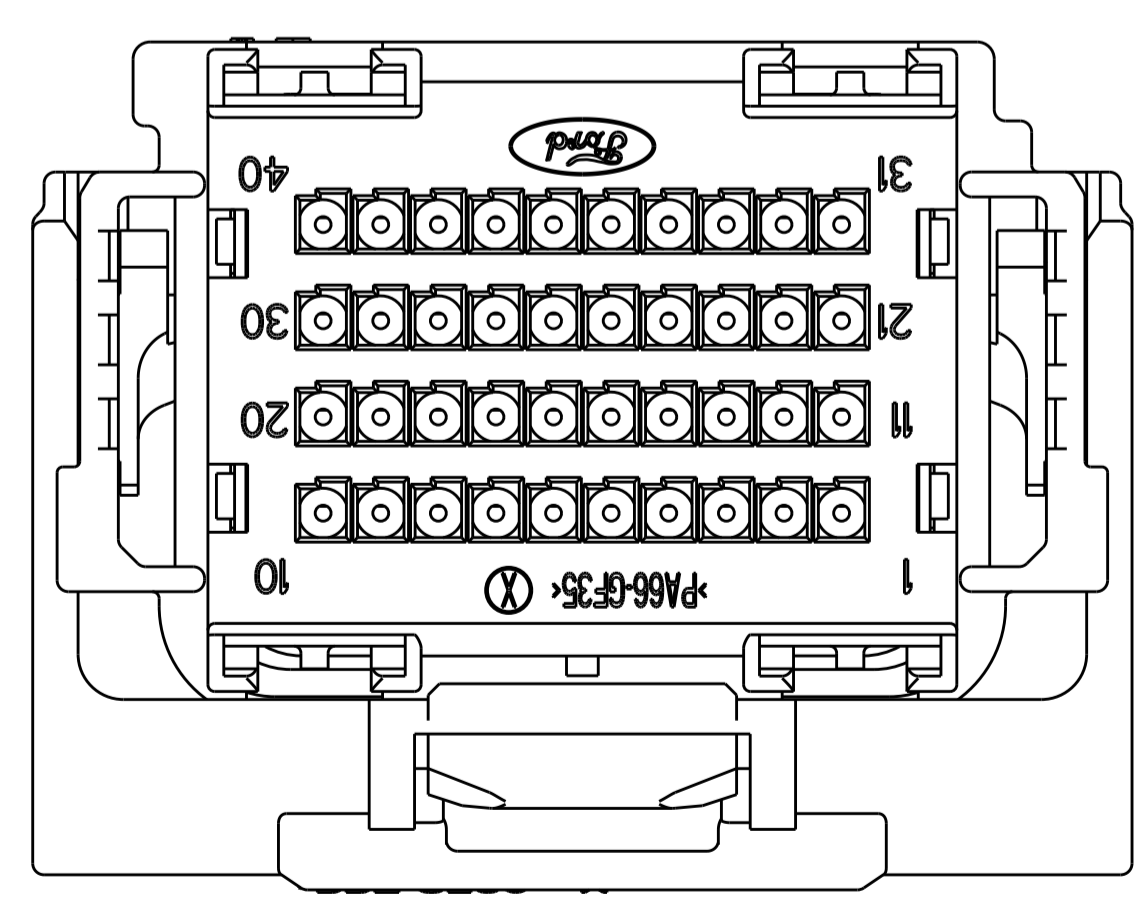
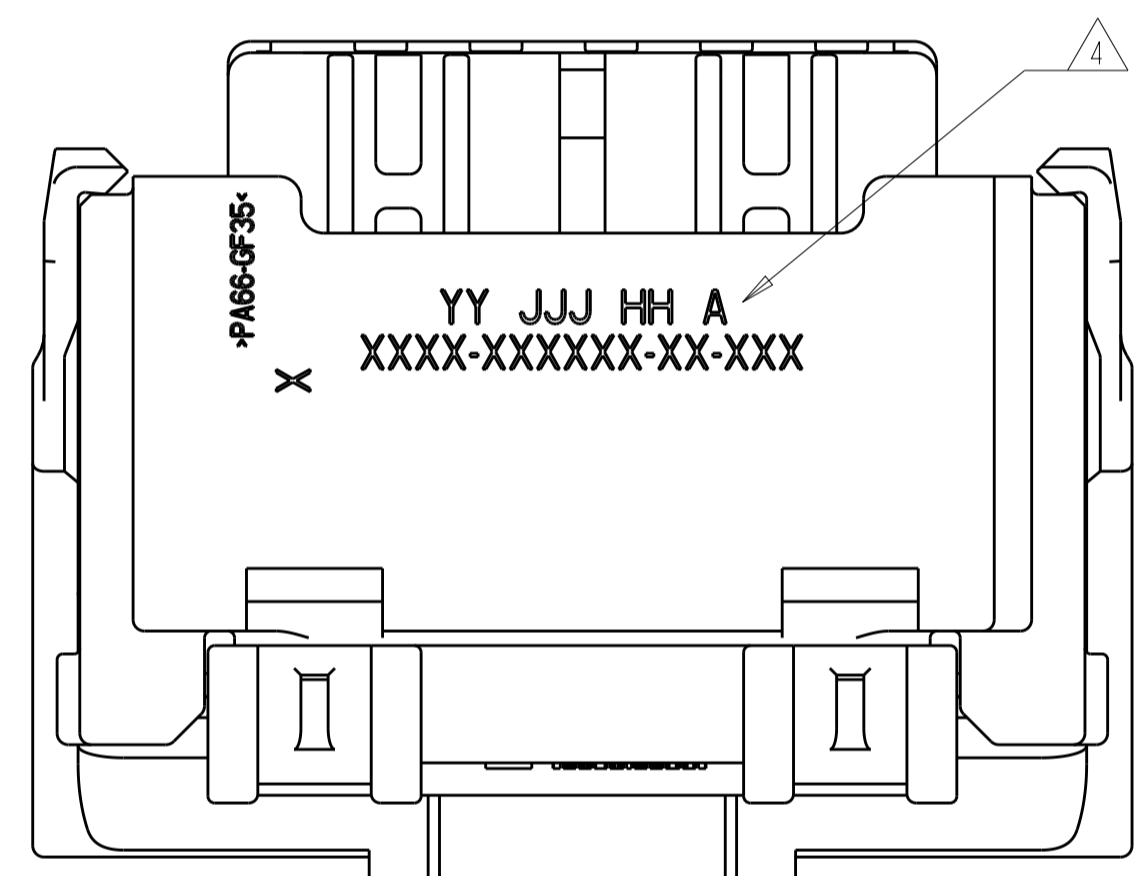
REVISIONS					
P.	LTN	DESCRIPTION	DATE	OWN	APVD
CH		REVISED PER ECO-18-002641	22FEB2018	JMS	WW
CJ		REVISED PER ECO-18-013531	30AUG2018	JMS	WW
CK		REV PER ECO-19-007173	17MAY2019	RGV	WW
CKI		REVISED PER ECO-20-012739	05OCT2020	AP	WW



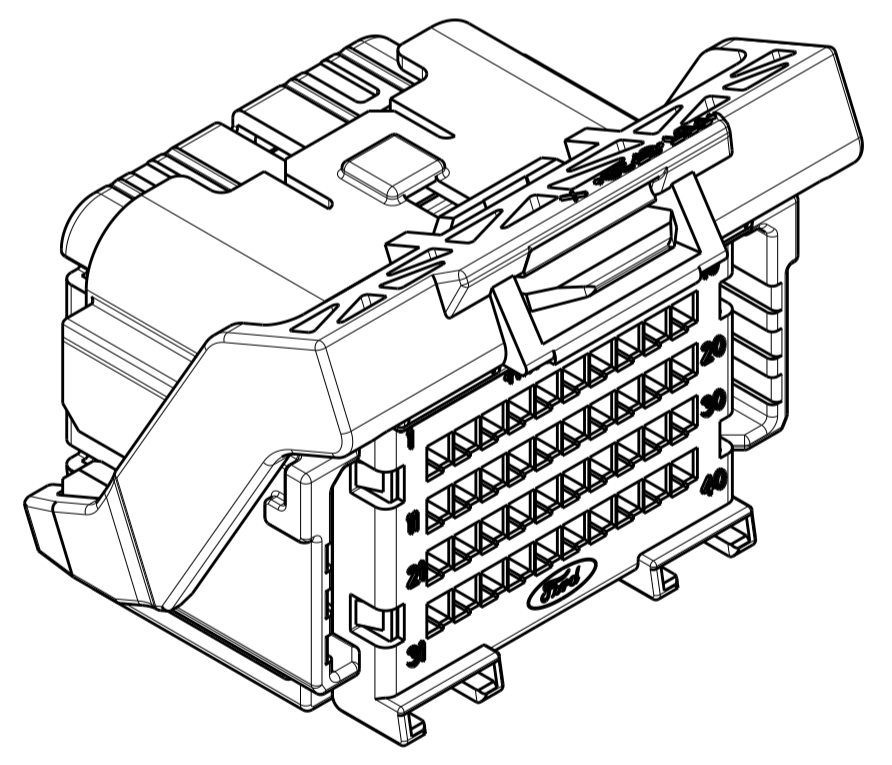
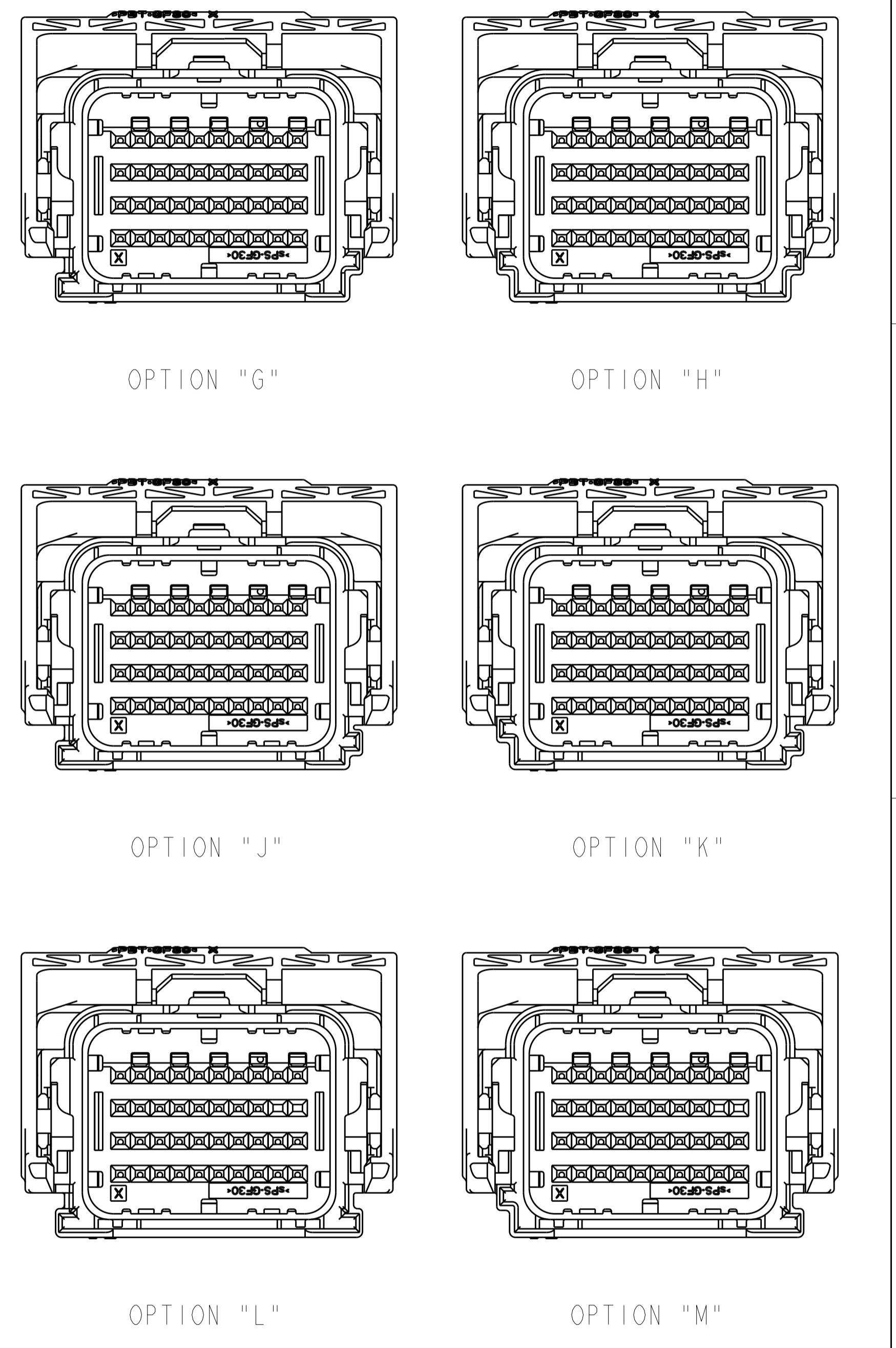
SECTION A-A  
 SHOWN WITH CAM LEVER  
 AND TPA IN THEIR  
 PRE-LOADED POSITIONS  
 (DELIVERY CONDITION)



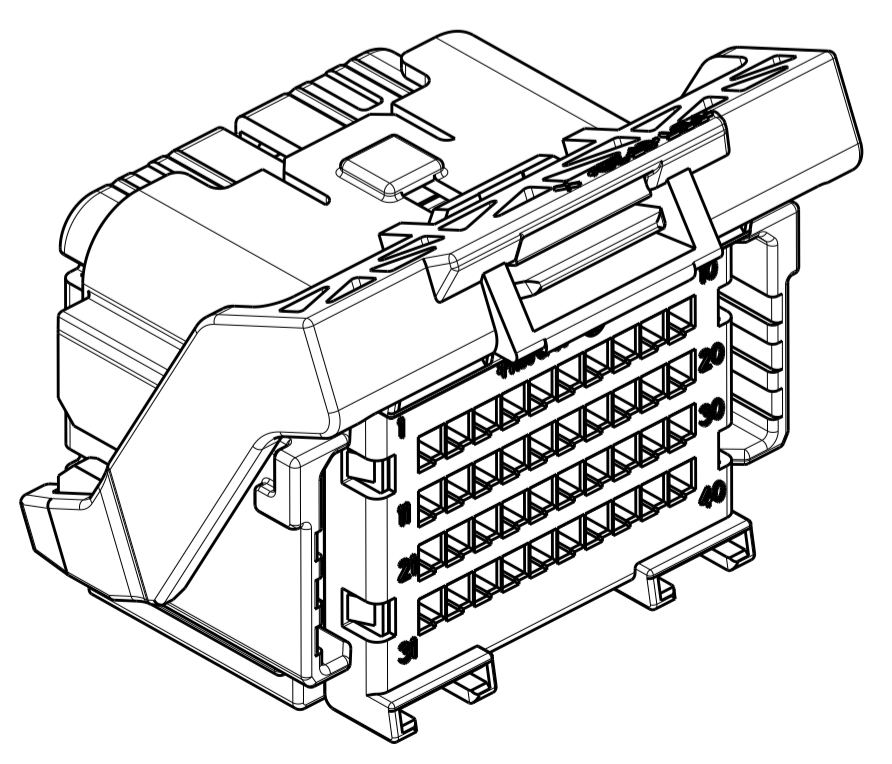
MINIMUM FEED THROUGH CONDITION  
 WITH 1mm CLEARANCE ALL AROUND  
 SHOWN WITH OPTION WIRESHIELD  
 TPA IS IN IT'S LOADED POSITION  
 CAM LEVER IS IN IT'S PRE-LOADED POSITION



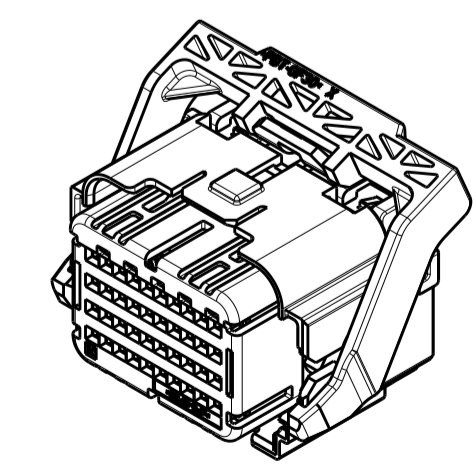
KEYING OPTIONS  
 SCALE 2:1



SCALE 2:1



THIS VIEW SHOWS THE  
 OPTIONAL CAM LEVER



SCALE 1:1

KEYING OPTION "G" SHOWN  
 SEE SHEET 2 FOR BILL OF  
 MATERIAL AND PIN-OUT CHARTS

- APPLICABLE TERMINAL PART NUMBERS (SOLD SEPARATELY):  
 FOR TIN APPLICATIONS: 1393367 AND 1393366,  
 FOR GOLD APPLICATIONS: 1393365 AND 1393364,  
 FOR TERMINATION AND REELING OPTIONS  
 SEE DRAWINGS 1393367, 1393366, 1393365, AND 1393364.
- COMPATIBLE WIRE SIZES FOR MAT SEAL DESIGN 1.19 TO 2.06 O.D.  
 (22-18 AWG, 0.35-0.75 mm)
- TPA AND CAM LEVER ARE SHIPPED IN THEIR PRE-LOADED POSITION.  
 ALL ASSEMBLIES ARE TO BE TRAY PACKAGED.
- CUSTOMER PART NUMBER AND TRACEABILITY CODE (YY = TWO DIGIT YEAR,  
 JJJ = JULIAN DAY, HH = TWO DIGIT MILITARY HOUR, A = ASSEMBLY PROCESS  
 USED) ARE PRINTED IN THIS LOCATION.
- PART ASSEMBLY WEIGHT WITHOUT TERMINALS AND WITH STANDARD PIN-OUT  
 CONFIGURATION IS 24.71 GRAMS.
- OPTIONAL WIRESHIELD P/N 8-1419157-8 (SOLD SEPARATELY). PLEASE CONTACT  
 YOUR TE SALES REPRESENTATIVE FOR AVAILABILITY AND PRICING.
- OBSOLETE PART.

THIS DRAWING IS A CONTROLLED DOCUMENT.		OWN: M. FORLSKA 19APR2002	
DIMENSIONS: mm		CHK: M. FORLSKA 19APR2002	
TOLERANCES UNLESS OTHERWISE SPECIFIED:		APVD: A. VALASEK 19APR2002	NAME: 40 WAY ARM, PLUG ASSEMBLY WITHOUT SHORTING BARS, CUSTOMER SPEC.
0 PLC ±0.3		PRODUCT SPEC	
1 PLC ±0.10		APPLICATION SPEC	SIZE: CAGE CODE DRAWING NO: RESTRICTED TO A1 00779 C=8-1419157-7
2 PLC ±0.10		WEIGHT: SEE NOTE 5	
3 PLC ±0.10		CUSTOMER DRAWING	SCALE: 3:1 SHEET 1 OF 5
4 PLC ±0.10			CKI
ANGLES ±0.5°			
FINISH			
MATERIAL: SEE CHART ON SHEET 2			





PIN-OUT CHART table with columns for terminal positions (1-40) and rows for various part numbers and key types (J, H, L, K, G).

PIN-OUT CHART table for part number 2098034-1, showing terminal positions and key types (H, L).

TERMINAL HOLE POSITION. CAVITIES WITH A NUMERIC SYMBOL INDICATE CLOSED TERMINAL HOLE POSITIONS. BLANK CAVITIES INDICATE OPEN TERMINAL HOLE POSITIONS.

Technical drawing footer containing dimensions, tolerances, material, weight, and customer drawing information.



# Mouser Electronics

Authorized Distributor

Click to View Pricing, Inventory, Delivery & Lifecycle Information:

[TE Connectivity:](#)

[1438099-7](#)