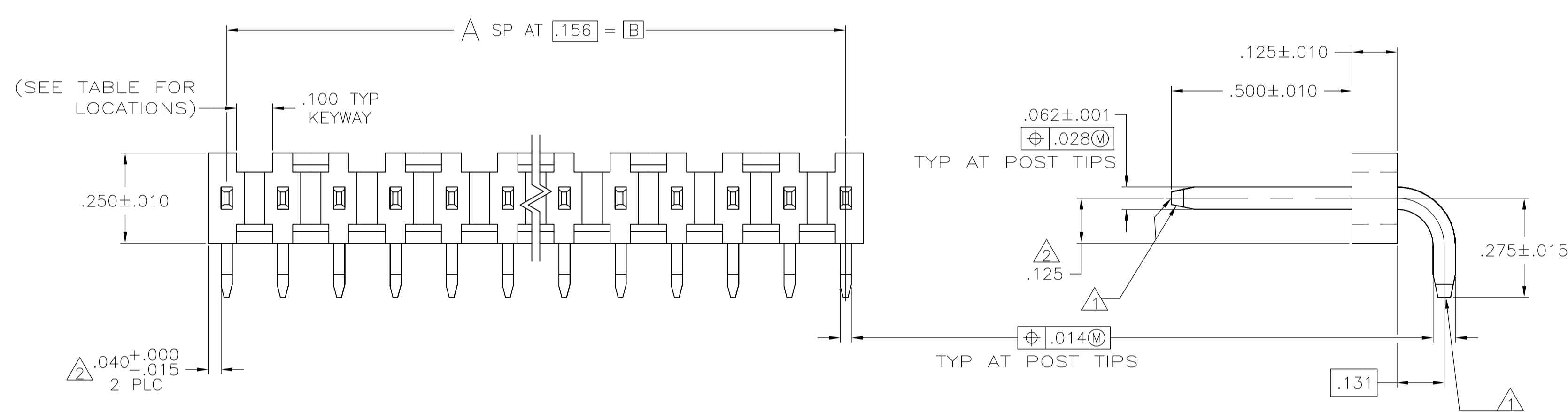
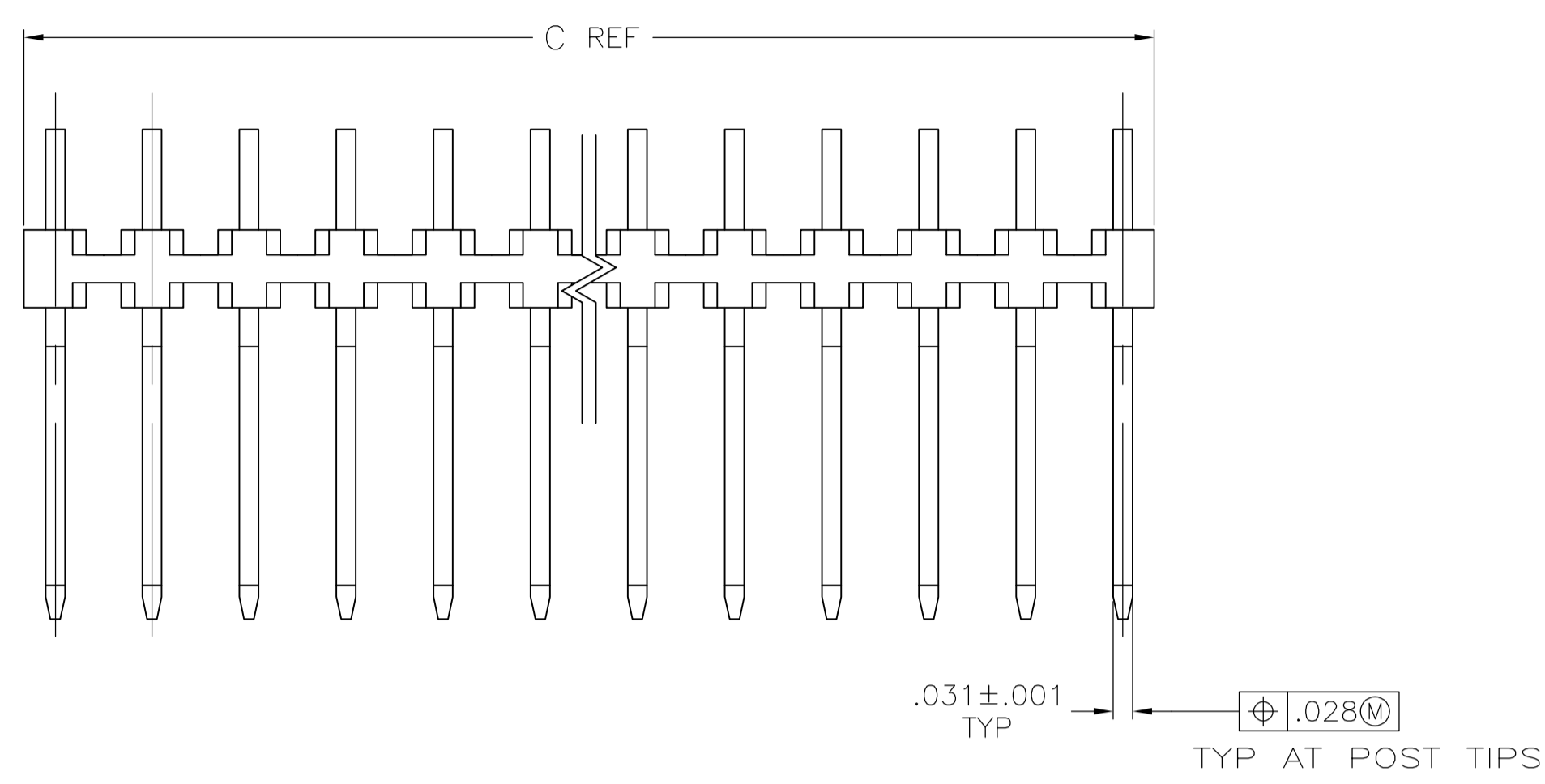
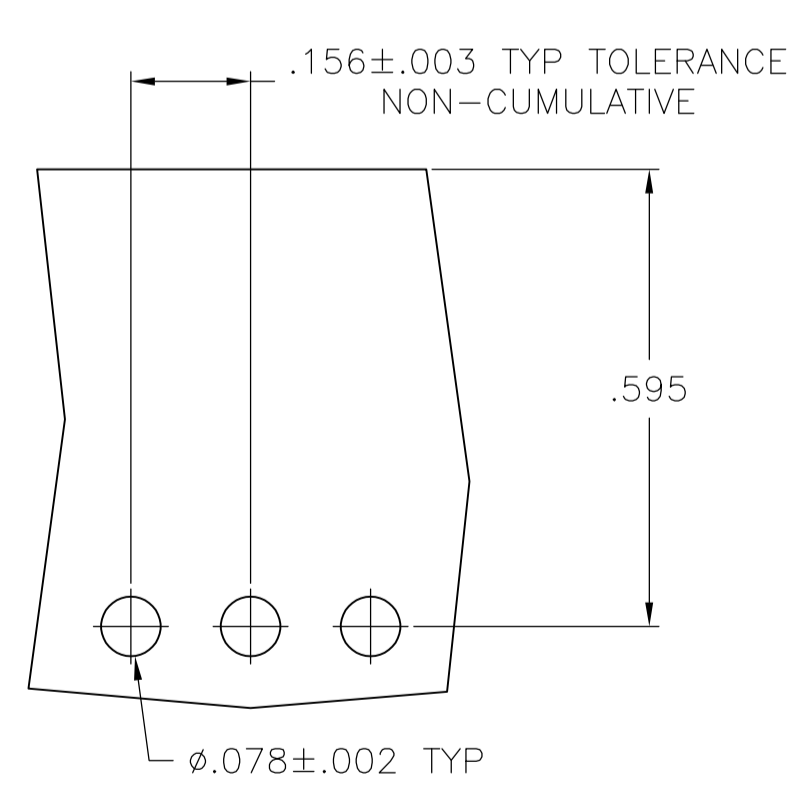


| LOC |                           | DIST        |         | REVISIONS |      |  |  |
|-----|---------------------------|-------------|---------|-----------|------|--|--|
| P   | LTR                       | DESCRIPTION | DATE    | DN        | APVD |  |  |
| R1  | ECO-05-016271             |             | 25FEB06 | BSV       | JR   |  |  |
| R2  | REVISED PER ECO-09-020774 |             | 22AUG09 | KK        | AEG  |  |  |

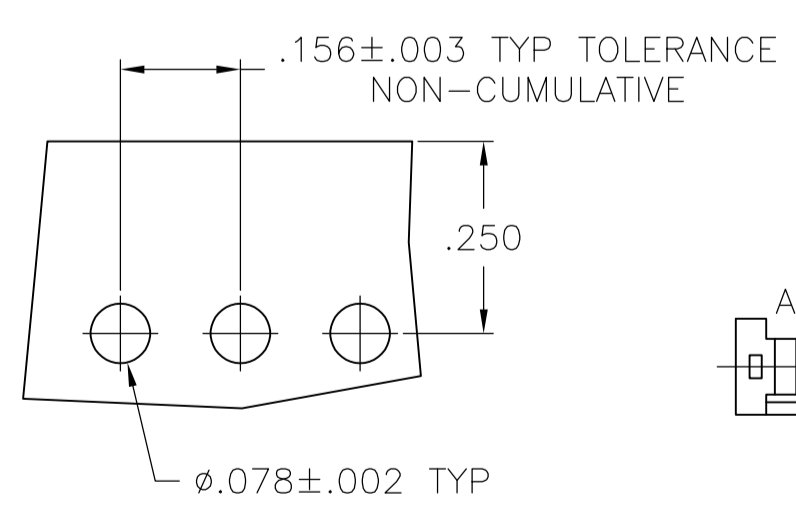
- ① THE TIPS OF THE POSTS WILL NOT BE PLATED.
- ② THE NOTED DIMENSIONS APPLY AT THE INTERSECTION OF THE POST AND THE HOUSING.
- ③ .000050-.000150 BRIGHT TIN-LEAD.
- ④ .000050-.000150 MATTE TIN.
- ⑤ ROHS 2002/95/EC COMPLIANT.
- ⑥ OBSOLETE PARTS: OBSOLETE CIS STREAMLINING PER D.RENAUD/D.SINISI



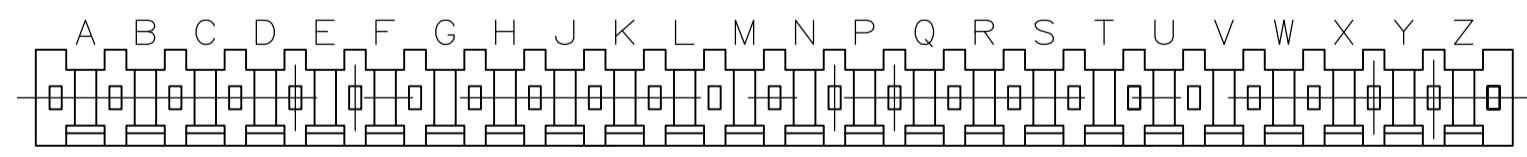
② .040 ± .000  
-.015  
2 PLC



TO SUPPORT MATING CONNECTOR ON BOARD



FOR MOUNTING HEADER FLUSH TO BOARD EDGE



KEYWAY LOCATIONS (REF-SEE TABLE)  
 (MATING LENGTH OF POST ON NEAR SIDE)  
 SCALE: 2:1

| FINISH | KEYWAY LOCATIONS        | NO OF KEYWAY | C     | B     | A  | NO OF POSN | ASSEMBLY PART NUMBER |
|--------|-------------------------|--------------|-------|-------|----|------------|----------------------|
| ⑥      | A,C,E,H,K,M,Q,S,U,W,Y   | 11           | 3.855 | 3.744 | 24 | 25         | ⑦-87194-4            |
| ⑥      | A,C,E,G,J,L,N,Q,S,U,W,Y | 12           | 3.699 | 3.588 | 23 | 24         | ⑦-87194-3            |
| ⑥      | A,D,G,K,N,R,U,X         | 8            | 3.543 | 3.432 | 22 | 23         | ⑦-87194-2            |
| ⑥      | A,C,E,G,J,L,N,Q,S,U,W   | 11           | 3.387 | 3.276 | 21 | 22         | ⑦-87194-1            |
| ⑥      | A,D,G,K,N,R,U           | 7            | 3.231 | 3.120 | 20 | 21         | ⑦-87194-0            |
| ⑥      | A,C,E,G,J,L,N,Q,S,U     | 10           | 3.075 | 2.964 | 19 | 20         | ⑥-87194-9            |
| ⑥      | B,D,F,J,L,N,Q,S         | 8            | 2.919 | 2.808 | 18 | 19         | ⑥-87194-8            |
| ⑥      | A,D,F,J,M,P,S           | 7            | 2.763 | 2.652 | 17 | 18         | ⑥-87194-7            |
| ⑥      | A,D,G,K,N,R             | 6            | 2.607 | 2.496 | 16 | 17         | ⑥-87194-6            |
| ⑥      | A,C,E,G,J,L,N,Q         | 8            | 2.451 | 2.340 | 15 | 16         | ⑥-87194-5            |
| ⑥      | A,D,G,K,N               | 5            | 2.295 | 2.184 | 14 | 15         | ⑥-87194-4            |
| ⑥      | A,C,E,G,J,L,N           | 7            | 2.139 | 2.028 | 13 | 14         | ⑥-87194-3            |
| ⑥      | A,D,J,M                 | 4            | 1.983 | 1.872 | 12 | 13         | ⑥-87194-2            |
| ⑥      | A,C,E,G,J,L             | 6            | 1.827 | 1.716 | 11 | 12         | ⑥-87194-1            |
| ⑥      | A,D,G,K                 | 4            | 1.671 | 1.560 | 10 | 11         | ⑥-87194-0            |
| ⑥      | A,C,E,G,J               | 5            | 1.515 | 1.404 | 9  | 10         | ⑤-87194-9            |
| ⑥      | A,D,G                   | 3            | 1.359 | 1.248 | 8  | 9          | ⑤-87194-8            |
| ⑥      | A,C,E,G                 | 4            | 1.203 | 1.092 | 7  | 8          | ⑤-87194-7            |
| ⑥      | A,C,E                   | 3            | 1.047 | .936  | 6  | 7          | ⑤-87194-6            |
| ⑥      | A,C,E                   | 3            | .891  | .780  | 5  | 6          | ⑤-87194-5            |
| ⑥      | A,D                     | 2            | .735  | .624  | 4  | 5          | ⑤-87194-4            |
| ⑥      | A,C                     | 2            | .579  | .468  | 3  | 4          | ⑤-87194-3            |
| ⑥      | A                       | 1            | .423  | .312  | 2  | 3          | ⑤-87194-2            |
| ⑥      | A                       | 1            | .267  | .156  | 1  | 2          | ⑤-87194-1            |
| ⑥      | A,C,E,H,K,M,Q,S,U,W,Y   | 11           | 3.855 | 3.744 | 24 | 25         | ⑥-2-87194-4          |
| ⑥      | A,C,E,G,J,L,N,Q,S,U,W,Y | 12           | 3.699 | 3.588 | 23 | 24         | ⑥-2-87194-3          |
| ⑥      | A,D,G,K,N,R,U,X         | 8            | 3.543 | 3.432 | 22 | 23         | ⑥-2-87194-2          |
| ⑥      | A,C,E,G,J,L,N,Q,S,U,W   | 11           | 3.387 | 3.276 | 21 | 22         | ⑥-2-87194-1          |
| ⑥      | A,D,G,K,N,R,U           | 7            | 3.231 | 3.120 | 20 | 21         | ⑥-2-87194-0          |
| ⑥      | A,C,E,G,J,L,N,Q,S,U     | 10           | 3.075 | 2.964 | 19 | 20         | ⑥-1-87194-9          |
| ⑥      | B,D,F,J,L,N,Q,S         | 8            | 2.919 | 2.808 | 18 | 19         | ⑥-1-87194-8          |
| ⑥      | A,D,F,J,M,P,S           | 7            | 2.763 | 2.652 | 17 | 18         | ⑥-1-87194-7          |
| ⑥      | A,D,G,K,N,R             | 6            | 2.607 | 2.496 | 16 | 17         | ⑥-1-87194-6          |
| ⑥      | A,C,E,G,J,L,N,Q         | 8            | 2.451 | 2.340 | 15 | 16         | ⑥-1-87194-5          |
| ⑥      | A,D,G,K,N               | 5            | 2.295 | 2.184 | 14 | 15         | ⑥-1-87194-4          |
| ⑥      | A,C,E,G,J,L,N           | 7            | 2.139 | 2.028 | 13 | 14         | ⑥-1-87194-3          |
| ⑥      | A,D,J,M                 | 4            | 1.983 | 1.872 | 12 | 13         | ⑥-1-87194-2          |
| ⑥      | A,C,E,G,J,L             | 6            | 1.827 | 1.716 | 11 | 12         | ⑥-1-87194-1          |
| ⑥      | A,D,G,K                 | 4            | 1.671 | 1.560 | 10 | 11         | ⑥-1-87194-0          |
| ⑥      | A,C,E,G,J               | 5            | 1.515 | 1.404 | 9  | 10         | ⑥-87194-9            |
| ⑥      | A,D,G                   | 3            | 1.359 | 1.248 | 8  | 9          | ⑥-87194-8            |
| ⑥      | A,C,E,G                 | 4            | 1.203 | 1.092 | 7  | 8          | ⑥-87194-7            |
| ⑥      | A,C,E                   | 3            | 1.047 | .936  | 6  | 7          | ⑥-87194-6            |
| ⑥      | A,C,E                   | 3            | .891  | .780  | 5  | 6          | ⑥-87194-5            |
| ⑥      | A,D                     | 2            | .735  | .624  | 4  | 5          | ⑥-87194-4            |
| ⑥      | A,C                     | 2            | .579  | .468  | 3  | 4          | ⑥-87194-3            |
| ⑥      | A                       | 1            | .423  | .312  | 2  | 3          | ⑥-87194-2            |
| ⑥      | A                       | 1            | .267  | .156  | 1  | 2          | ⑥-87194-1            |

THIS DRAWING IS A CONTROLLED DOCUMENT. DIN L A MAYER 14APR87

APVD P deJONG 19MAY87 Tyco Electronics Tyco Electronics Corporation Harrisburg, Pa 17105-3608

|                    |  |                  |   |
|--------------------|--|------------------|---|
| DIMENSIONS: INCHES | TOLERANCES UNLESS OTHERWISE SPECIFIED: | PRODUCT SPEC     | NAME  |
| 0 PLC ± -          | 1 PLC ± -                              | 108-25016        | HEADER ASSEMBLY, MOD 1, RIGHT ANGLE, SINGLE ROW, .156CL |
| 2 PLC ± -          | 3 PLC ± .005                           | APPLICATION SPEC | SIZE CASE CODE DRAWING NO                               |
| 4 PLC ± -          | ANGLES ± -                             | RESTRICTED TO    | A1 00779 C=87194  |

MATERIAL HOUSING - FLAME RETARDANT THERMOPLASTIC; COLOR - BLACK; POSTS - BRASS. FINISH SEE TABLE. WEIGHT - - SCALE 4:1 SHEET 1 OF 1 REV R2

RECOMMENDED BOARD LAYOUTS

# Mouser Electronics

Authorized Distributor

Click to View Pricing, Inventory, Delivery & Lifecycle Information:

[TE Connectivity:](#)

[5-87194-5](#)