

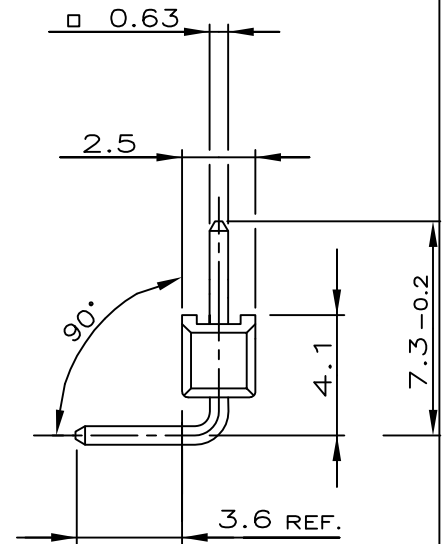
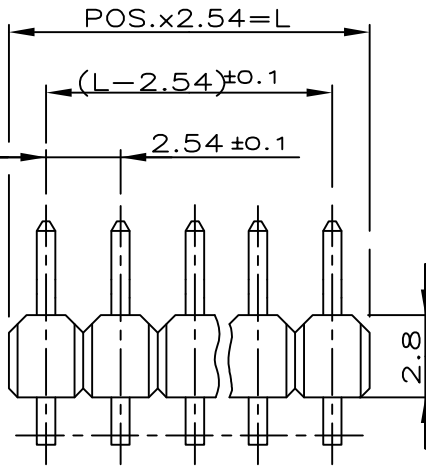
REVISIONS

P	LTR	DESCRIPTION	DATE	DWN	APVD
	A	Contact pin material change from CuSn to CuZn	20SEP2017	KJK	PS

NOTES:

- ① MIN. 3.0µm TIN OVER 1.27µm NICKEL
- ② OBSOLETE PARTS: OBSOLETE CIS STREAMLINING PER D.RENAUD/D.SINISI

POS.	L±0.4	PART NUMBER
-	-	-
2	5.08	829489 -2
3	7.62	-3
4	10.16	-4
5	12.70	-5
6	15.24	-6
7	17.78	-7
8	20.32	-8
9	22.86	-9
10	25.40	-1
11	27.94	-1
12	30.48	-2
13	33.02	-3
14	35.56	-4
15	38.10	-5
16	40.64	-6
17	43.18	-7
18	45.72	-8
19	48.26	-9
20	50.80	-0
21	53.34	-1
22	55.88	-2
23	58.42	-3
24	60.96	-4
25	63.50	-5
26	66.04	-6
27	68.58	-7
28	71.12	-8
29	73.66	-9
30	76.20	-0
31	78.74	-1
32	81.28	-2
33	83.82	-3
34	86.36	-4
35	88.90	-5
36	91.44	-6
37	93.98	-7
38	96.52	-8
39	99.06	-9
40	101.60	-0
41	104.14	-1
42	106.68	-2
43	109.22	-3
44	111.76	-4
45	114.30	-5
46	116.84	-6
47	119.38	-7
48	121.92	-8
49	124.46	-9
50	127.00	5- 829489 -0



CONTACT PIN	CuZn	①
PIN HOUSING	PBT	GREEN
DESCRIPTION	MATERIAL	COLOR/FINISH

RELEASED FOR PUBLICATION

ALL RIGHTS RESERVED.

© COPYRIGHT - TE Connectivity

THIS DRAWING IS UNPUBLISHED.

DIMENSIONS: mm TOLERANCES UNLESS OTHERWISE SPECIFIED: ±0.2mm 0 PLC ± - 1 PLC ± - 2 PLC ± - 3 PLC ± - 4 PLC ± - ANGLES ± 1' 15"	DWN A.HO 14.08.89	MATERIAL SEE TABLE	FINISH -			
	CHK M. SCHAARSCHMIDT	TE Connectivity NAME AMPMODU II PIN HEADER 90 DEGREE				
APVD -	PRODUCT SPEC 108-18012					
	APPLICATION SPEC -	SIZE A4	CAGE CODE 00779	DRAWING NO C= 829489	RESTRICTED TO -	
	WEIGHT	CUSTOMER DRAWING		SCALE 4:1	SHEET 1 OF 1	REV A

Mouser Electronics

Authorized Distributor

Click to View Pricing, Inventory, Delivery & Lifecycle Information:

[TE Connectivity:](#)

[829489-4](#)