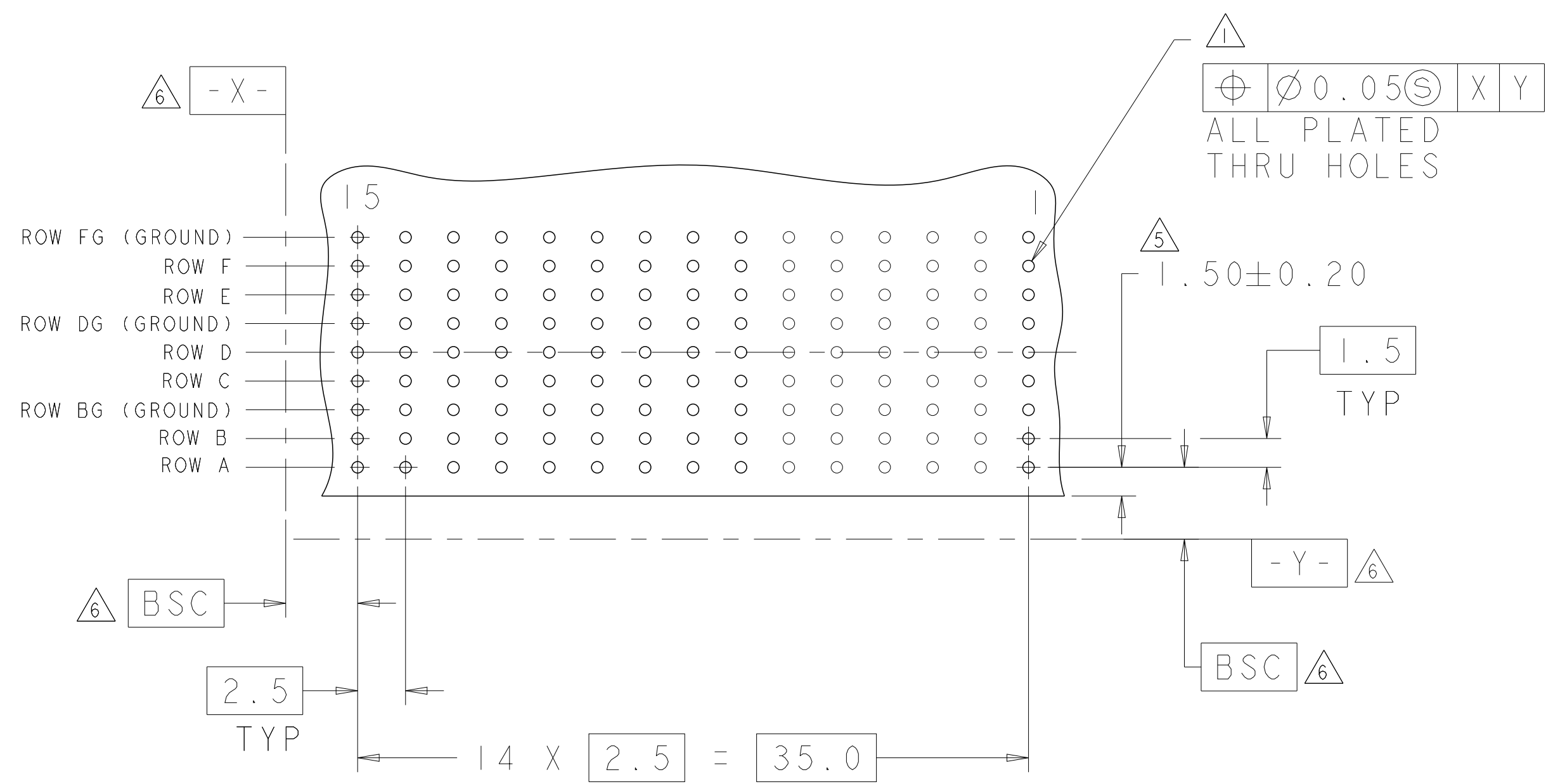
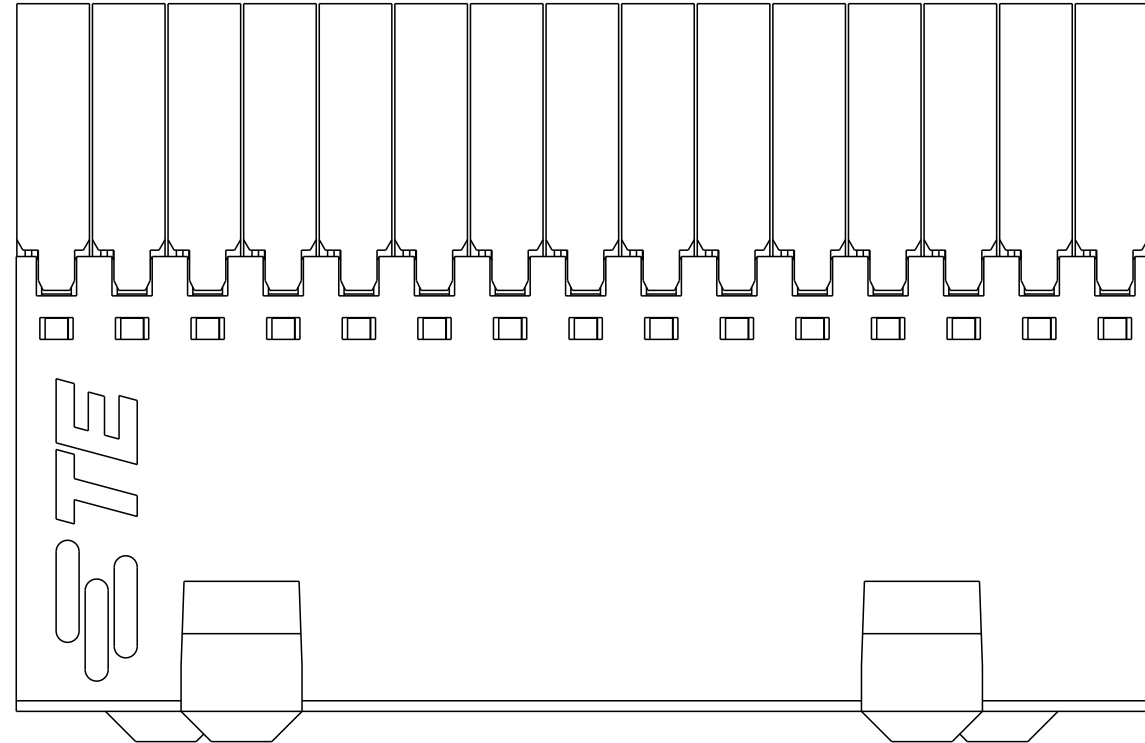
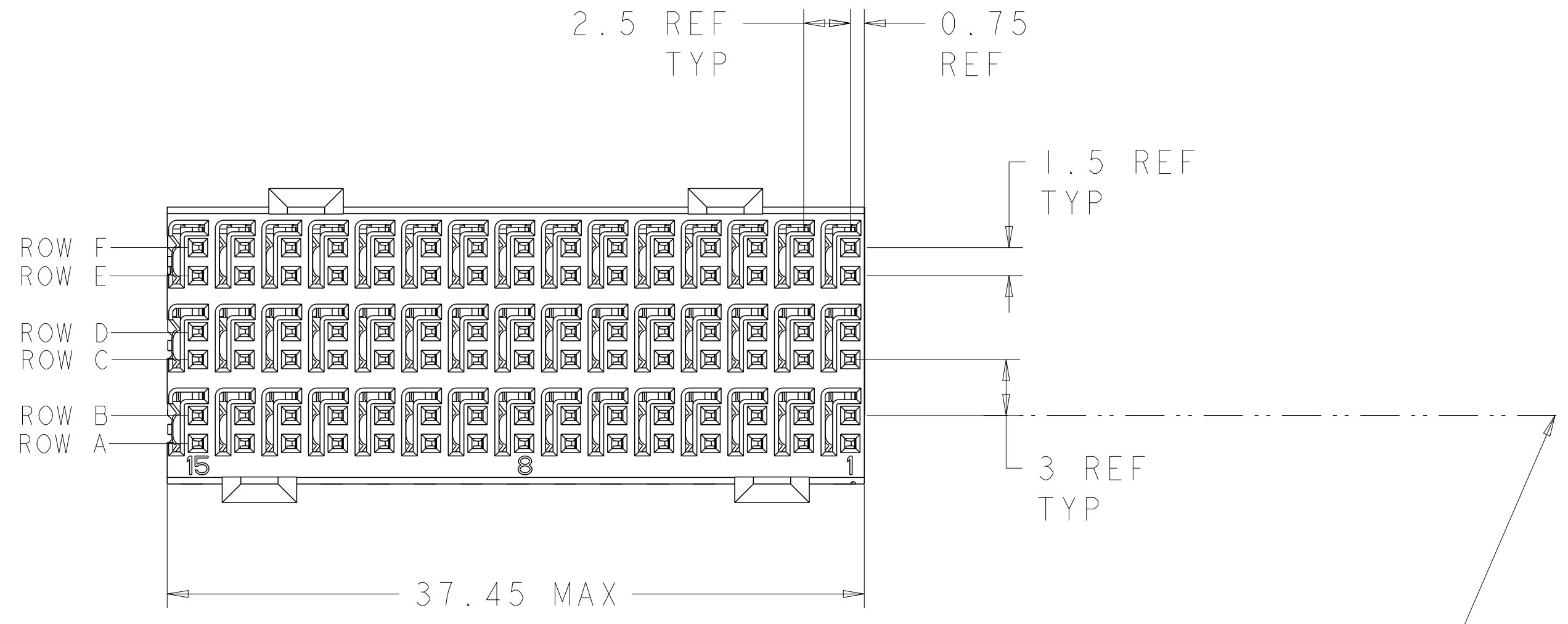


REVISIONS				
P	LTN	DESCRIPTION	DATE	APVD
E		REVISED PER ECO-14-005095	16APR2014	AP RP
F		REVISED PER ECO-16-008845	21SEP2016	AP RP
G		REVISED PER ECO-17-013112	13SEP2017	AP RP

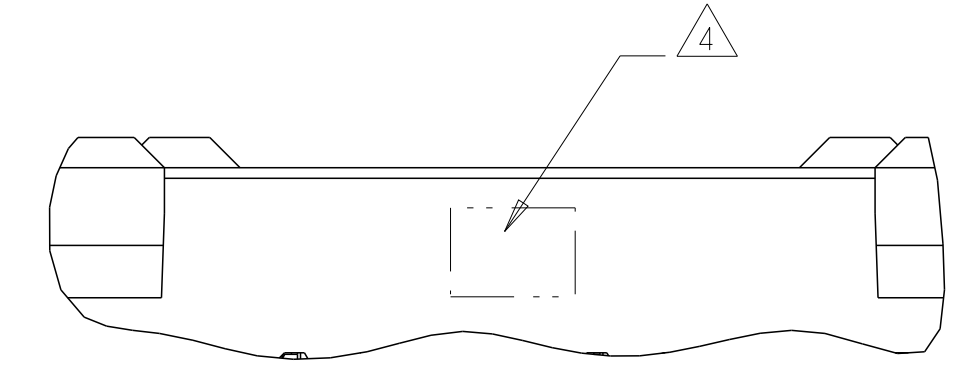
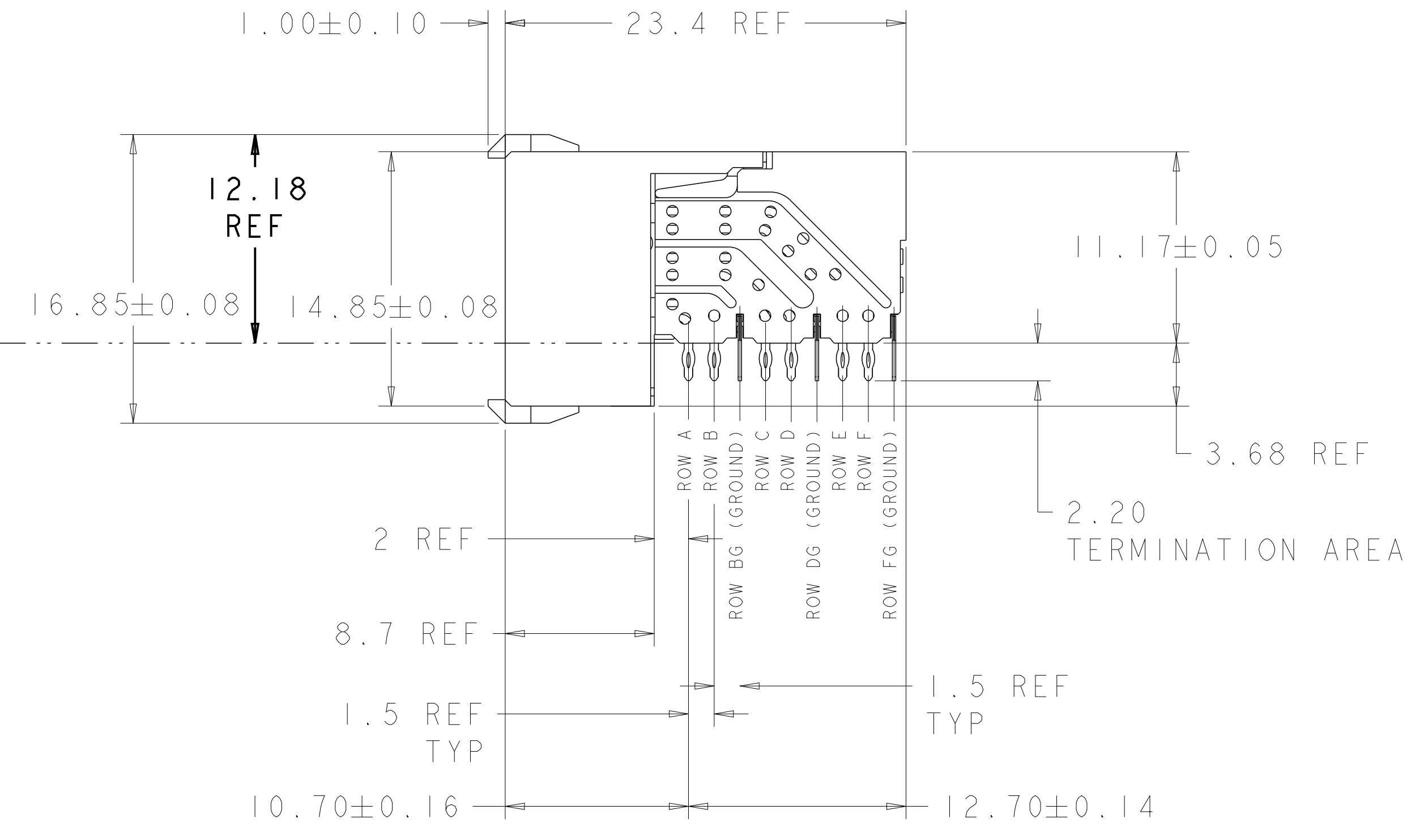


RECOMMENDED PC BOARD LAYOUT,
 DAUGHTER BOARD,
 COMPONENT SIDE SHOWN
 SCALE 4:1

- 1 REFERENCE APPLICATION SPEC 114-13059 FOR RECOMMENDED PLATED THRU HOLE DIAMETER AND PLATING THICKNESSES.
- 2 MATERIAL:
 SHIELD - PHOSPHOR BRONZE
 CONTACT - COPPER-NICKEL-SILICON
 HOUSING, CHICKLET AND CHICKLET COVER - GLASS FILLED POLYESTER, UL 94V-0.
- 3 FINISH: SIGNAL AND GROUND CONTACTS:
 MATING AREA: MEETS THE PERFORMANCE REQUIREMENTS OF PRODUCT SPECIFICATION 108-2055; BASED ON TELCORDIA GR-1217-CORE, APPLICATIONS IN UNCONTROLLED ENVIRONMENTS
 COMPLIANT PIN AREA: 0.5 μ m MIN MATTE TIN OVER BASE PLATING
- 4 CONNECTOR MARKED WITH PART NUMBER AND DATE CODE IN APPROXIMATE AREA SHOWN.
- 5 DIMENSION APPLIES TO CENTERLINE OF THRU HOLE
- 6 DATUMS AND BASIC DIMENSIONS ESTABLISHED BY CUSTOMER
- 7. CONTACT AREA LUBRICATED WITH BELLCORE APPROVED LUBRICANT. TECHNICAL REFERENCE: GR-1217-CORE, ISSUE 1, NOVEMBER 1995.



TOP SURFACE OF DAUGHTER CARD



6469179-1
 PART NUMBER

THIS DRAWING IS A CONTROLLED DOCUMENT.		OWN B. CARBO CHK R. PATTERSON APVD R. PATTERSON	13DEC2006 13DEC2006 3DEC2006	TE Connectivity NAME RECEPTACLE ASSEMBLY, 3 PAIR, 37.5mm, HMZd
DIMENSIONS:	TOLERANCES UNLESS OTHERWISE SPECIFIED:	PRODUCT SPEC		
mm	0 PLC \pm 1 PLC \pm 2 PLC \pm 3 PLC \pm 4 PLC \pm ANGLES \pm	APPLICATION SPEC		SIZE A100779
MATERIAL	FINISH	WEIGHT	CAGE CODE 6469179	RESTRICTED TO
CUSTOMER DRAWING		SCALE 4:1		SHEET 1 OF 1 REV G

Mouser Electronics

Authorized Distributor

Click to View Pricing, Inventory, Delivery & Lifecycle Information:

[TE Connectivity:](#)

[6469179-1](#)