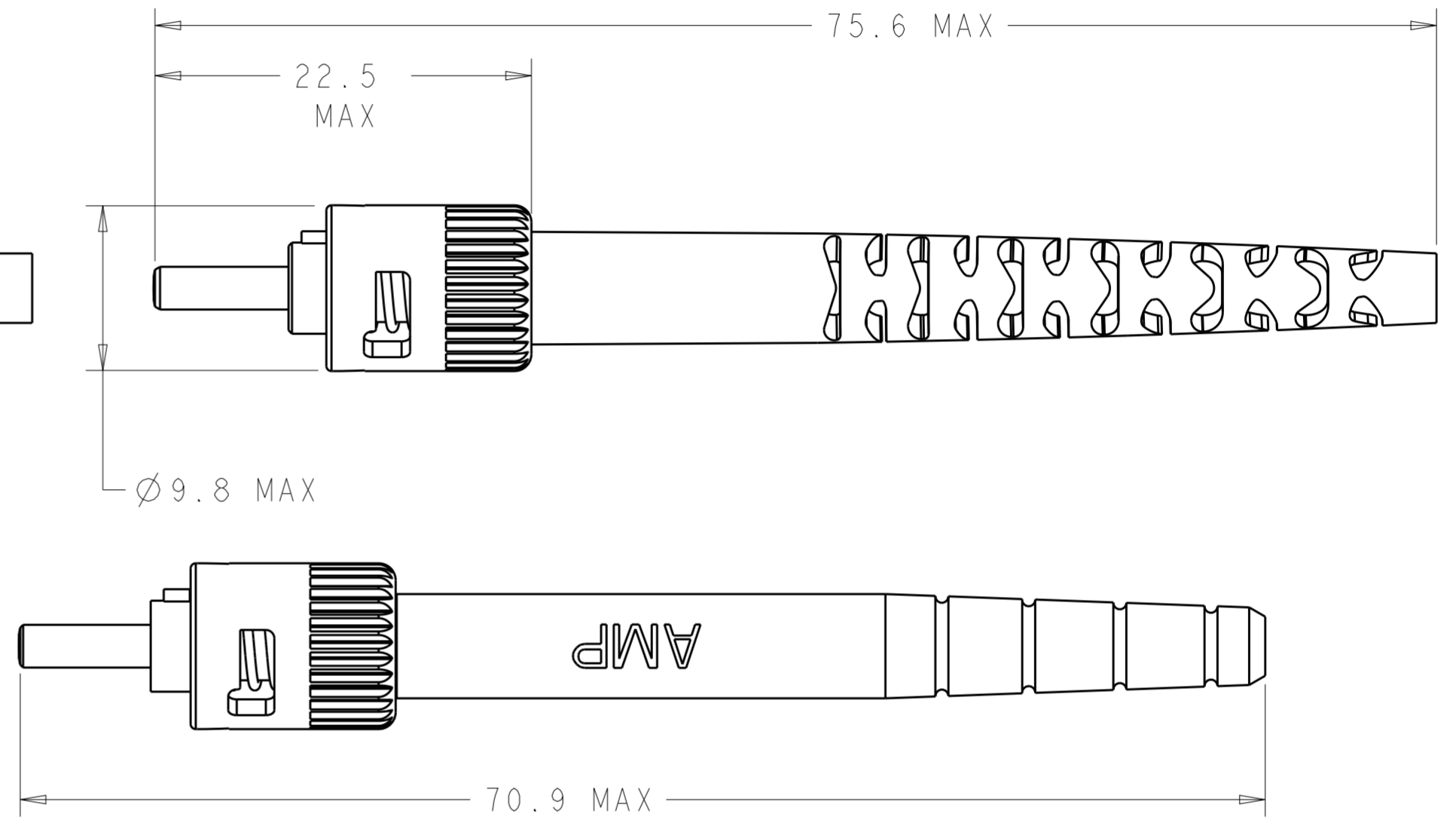
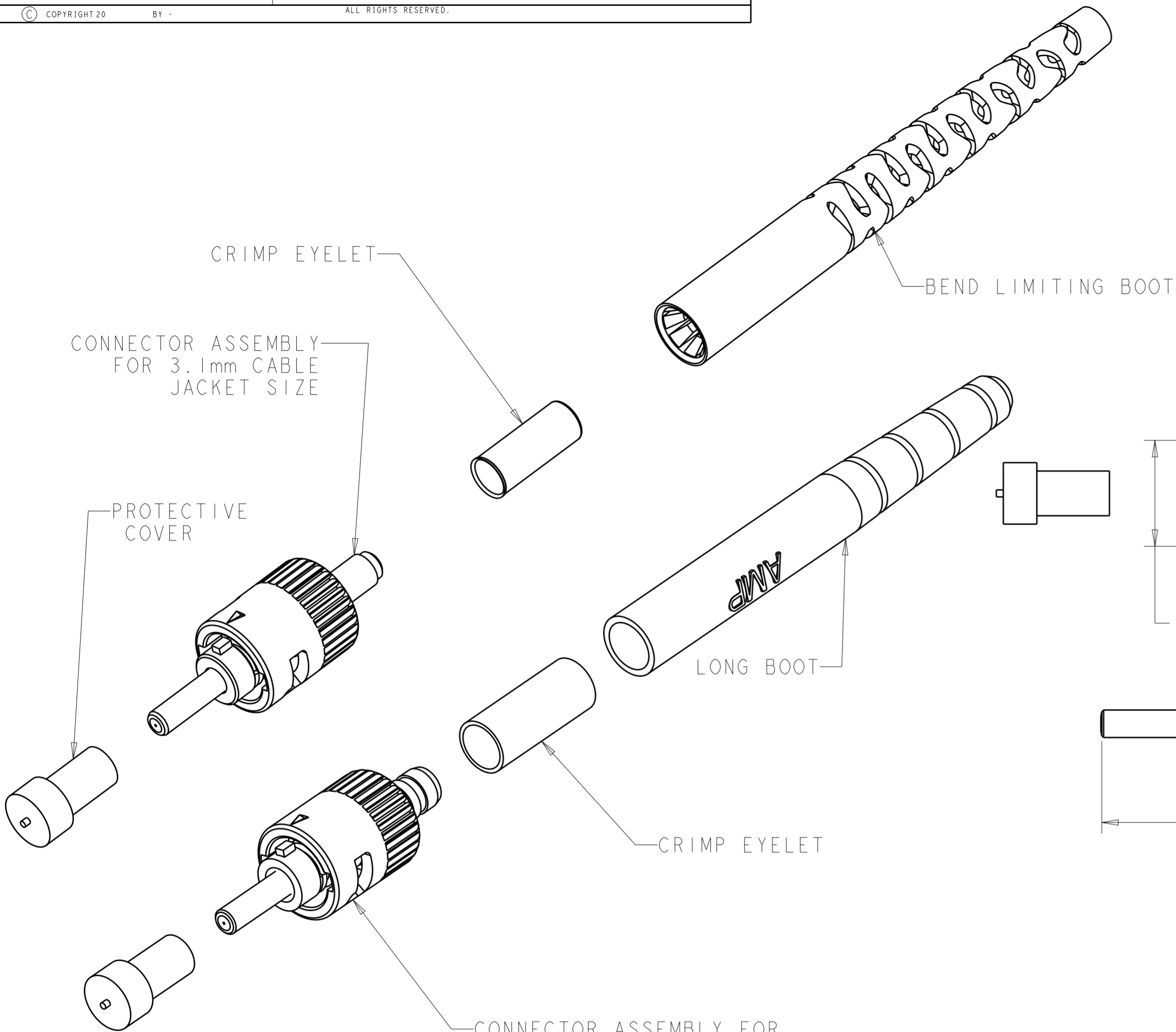


THIS DRAWING IS UNPUBLISHED. RELEASED FOR PUBLICATION 20  
 © COPYRIGHT 20 BY - ALL RIGHTS RESERVED.

| LOC | DIST | REVISIONS |     |                           |           |     |      |
|-----|------|-----------|-----|---------------------------|-----------|-----|------|
| CE  | 00   | P         | LTR | DESCRIPTION               | DATE      | DWN | APVD |
|     |      | B         | I   | REVISED PER ECO-11-005027 | 15MAR2011 | RK  | HMR  |
|     |      | D         |     | ECR-18-006929             | 18JUN2018 | PHM | DW   |



CONNECTOR ASSEMBLY FOR 4.3mm CABLE JACKET SIZE (5504008-4 ONLY)

|          |   |               |           |             |
|----------|---|---------------|-----------|-------------|
|          | ⚠ | NONE          | 125um     | 5-5504008-4 |
| OBSOLETE |   | BEND LIMITING | 280um     | 4-5504008-6 |
| OBSOLETE |   | BEND LIMITING | 125um     | 1-5504008-7 |
|          |   | BEND LIMITING | 231um     | 1.5504008-4 |
|          |   | BEND LIMITING | 240um     | 1-5504008-3 |
| OBSOLETE |   | BEND LIMITING | 140um     | 5504008-7   |
|          |   | LONG          | 125um     | 5504008-4   |
|          |   | BEND LIMITING | 125um     | 5504008-3   |
|          |   | BOOT          | HOLE SIZE | PART NUMBER |

- ⚠ BULK PACKAGE.
- ⚠ MATERIAL:
  - PROTECTIVE COVER: LDPE, COLOR: BLACK, NON-FR.
  - CONNECTOR ASSY
  - FERRULE ASSY: STAINLESS STEEL/NICKEL PLATED BRASS.
  - SPRING: STAINLESS STEEL.
  - COUPLING NUT: ZINC.
  - RETENTION RING: STAINLESS STEEL.
  - 3.1mm CRIMP EYELET: TIN PLATED COPPER.
  - LONG AND BEND LIMITING BOOTS: TPE, COLOR: BLACK, UL94 V-0 RATED AT AT QUALIFYING THICKNESS.
  - 4.3mm CRIMP EYELET: NICKEL PLATED BRASS

THIS DRAWING IS A CONTROLLED DOCUMENT.

|                |  |                             |   |
|----------------|--|-----------------------------|---|
| DIMENSIONS: mm | TOLERANCES UNLESS OTHERWISE SPECIFIED: | DWN B. BRIGGS 29 JUN 2005   | <br>TE Connectivity                     |
|                | 0 PLC ±                                | CHK S. BUCHTER 29 JUN 2005  |   |
|                | 1 PLC ±                                | APVD S. BUCHTER 29 JUN 2005 |   |
|                | 2 PLC ±                                | NAME                        |   |
| MATERIAL       | FINISH                                 | PRODUCT SPEC                | CONNECTOR KIT, SST, 2.5mm BAYONET       |
|                |  | APPLICATION SPEC            | SIZE CAGE CODE DRAWING NO RESTRICTED TO |
|                |  | WEIGHT                      | A200779 C-5504008                       |
|                |  | CUSTOMER DRAWING            | SCALE 3:1 SHEET 1 OF 1 REV D            |

# Mouser Electronics

Authorized Distributor

Click to View Pricing, Inventory, Delivery & Lifecycle Information:

[TE Connectivity:](#)

[4-5504008-6](#)