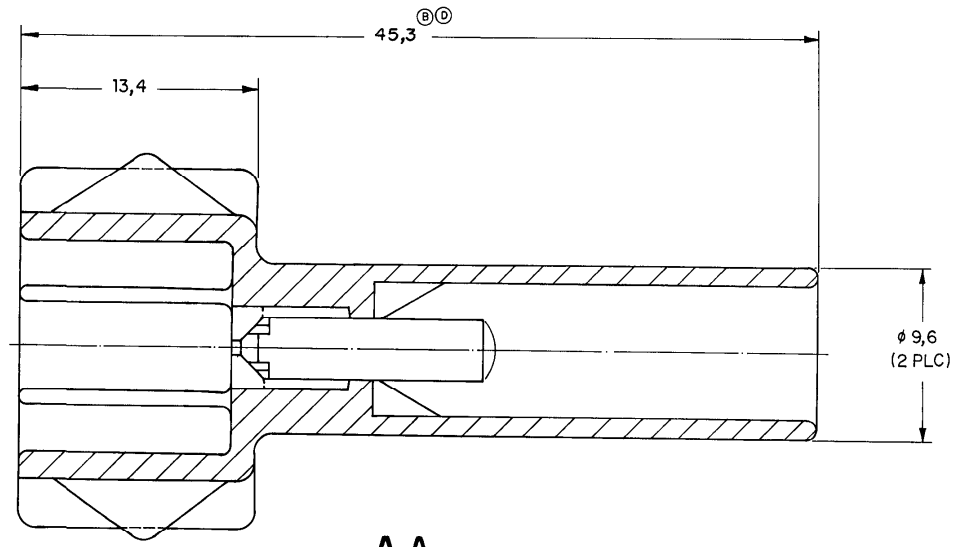
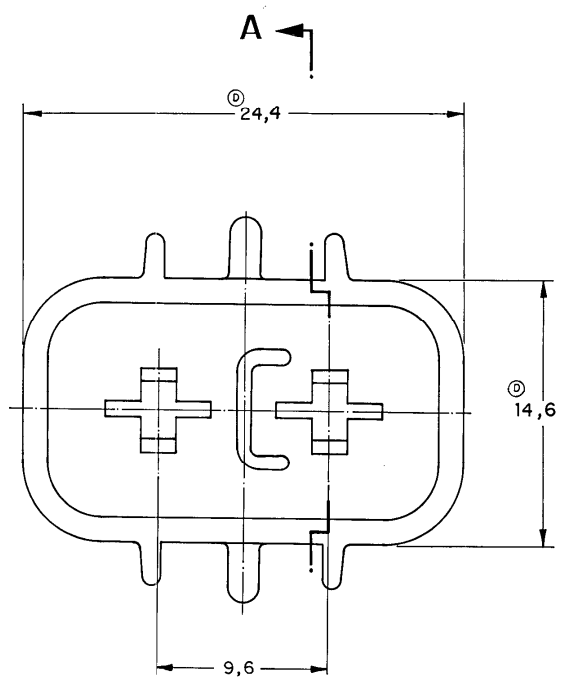


C444404

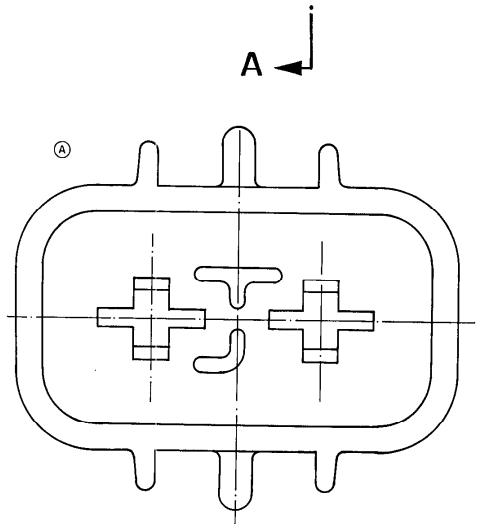
DWG NO	DO NOT SCALE		METRIC	3rd ANGLE PROJECTION
	DIMENSIONS IN mm.			
REQ. PER ASSY	ITEM	DESCRIPTION	MATERIAL	FINISH



CORTE - A-A
SECTION

GRAVAÇÕES:
 MARCA REGISTRADA AMP.
 CÓDIGO DO PAÍS PRODUTOR.
 PAÍS PRODUTOR.
 NÚMERO DA PEÇA AMP.
 NOMENCLATURA DO MATERIAL.
 LETRA DA ÚLTIMA REVISÃO

STAMP:
 AMP TRADEMARK
 MANUFACTURER COUNTRY CODE
 MANUFACTURER COUNTRY
 AMP PART NUMBER
 MATERIAL NOMENCLATURE
 LAST REVISION LETTER



444404-2

OBSOLETE	CIN: A (GRAY)	PA. 6.6 +30% M.D. ©	- 2
	PRETO (BLACK)	PA. 6.6 +30% M.D. ©	444404 - 1
FINISH		MATERIAL	PART NUMBER
CUSTOMER DWG for REFERENCE ONLY		THIS DRAWING IS UNPUBLISHED. RELEASED FOR PUBLICATION. C COPYRIGHT © BY AMP DO BRASIL LTDA SP. ALL INTERNATIONAL RIGHTS RESERVED. AMP PRODUCTS MAY BE COVERED BY U.S. AND FOREIGN PATENTS AND/OR PATENT PENDING.	
TOLERANCES UNLESS OTHERWISE STATED		INS DIA RANGE	WIRE RANGE
DEC ±0,3		SCALE 5:1	
ANGLES 25°			
D1 REVISED PER ECO-20-013018	AP/DO 270CT20	DR	
D REVISED BY 23099	23099	DR	M.R. Briz 14-Oct-94
C +30% Carga Mineral Adic.	32699	CHK	19-Oct-94
B ERA 45,0	26295	DR	J.R. FROTSCHMIST
A DASH 2 ADDED	06995	DR	
O ERA 94-29632	06995	DR	
REVISION RECORD	ECN	DR	DATE
		APP	E A 1416 243019
DESCRIPTION HOUSING, 2 POSN., STANDARD POWER TIMER, TAB.		DWG NO	SHEET
		A2	C 444404 1 of 1

Mouser Electronics

Authorized Distributor

Click to View Pricing, Inventory, Delivery & Lifecycle Information:

[TE Connectivity:](#)

[444404-1](#)