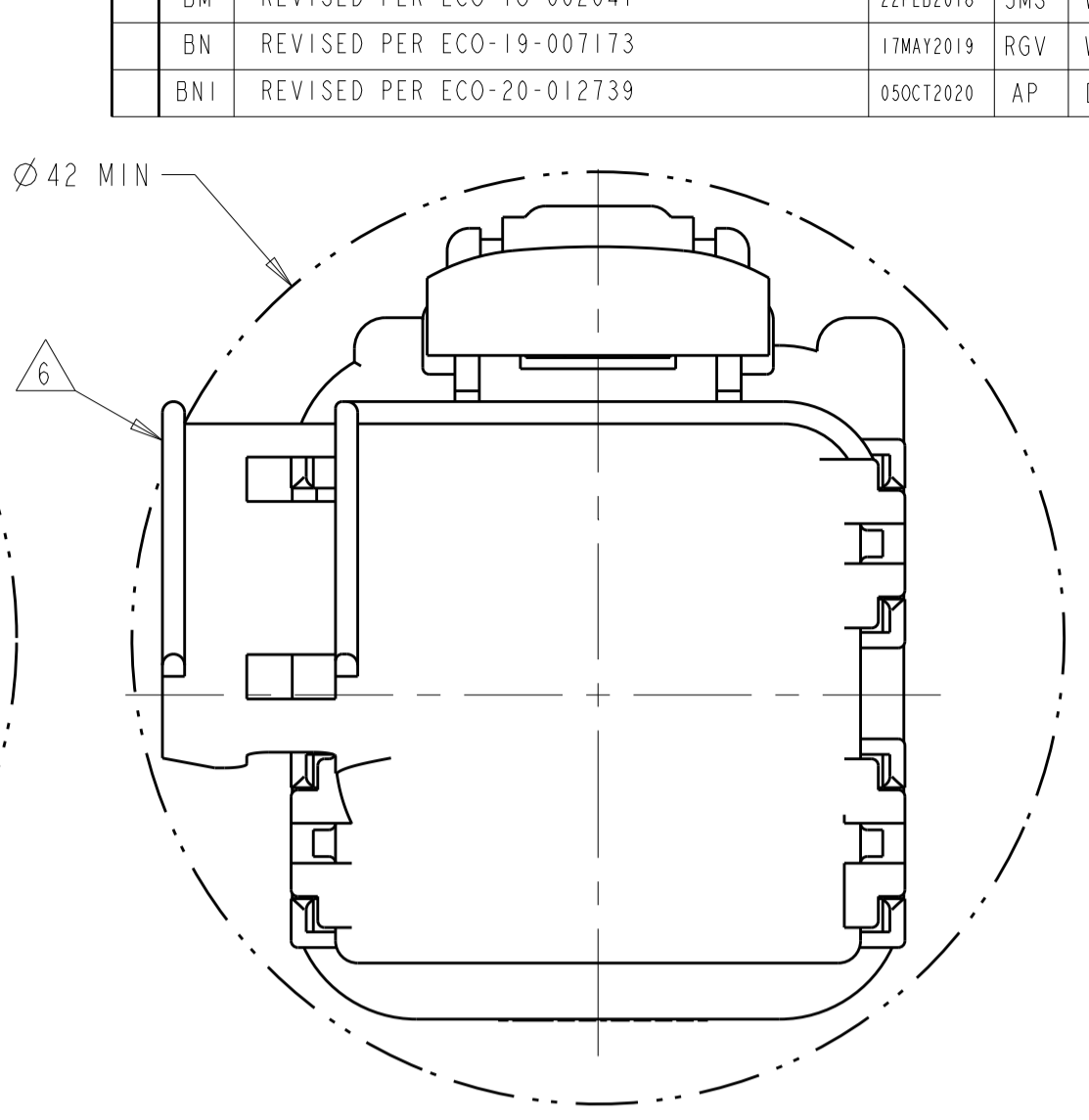
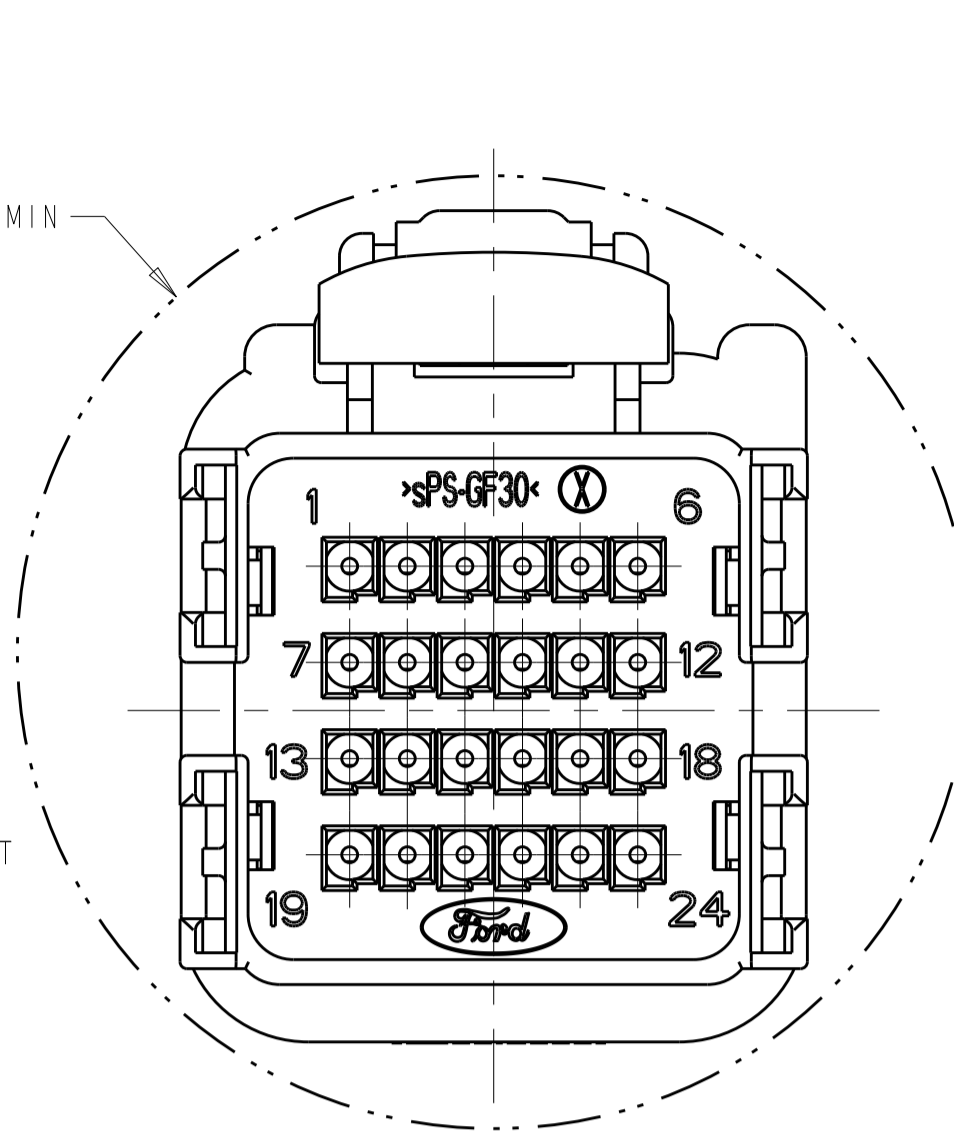
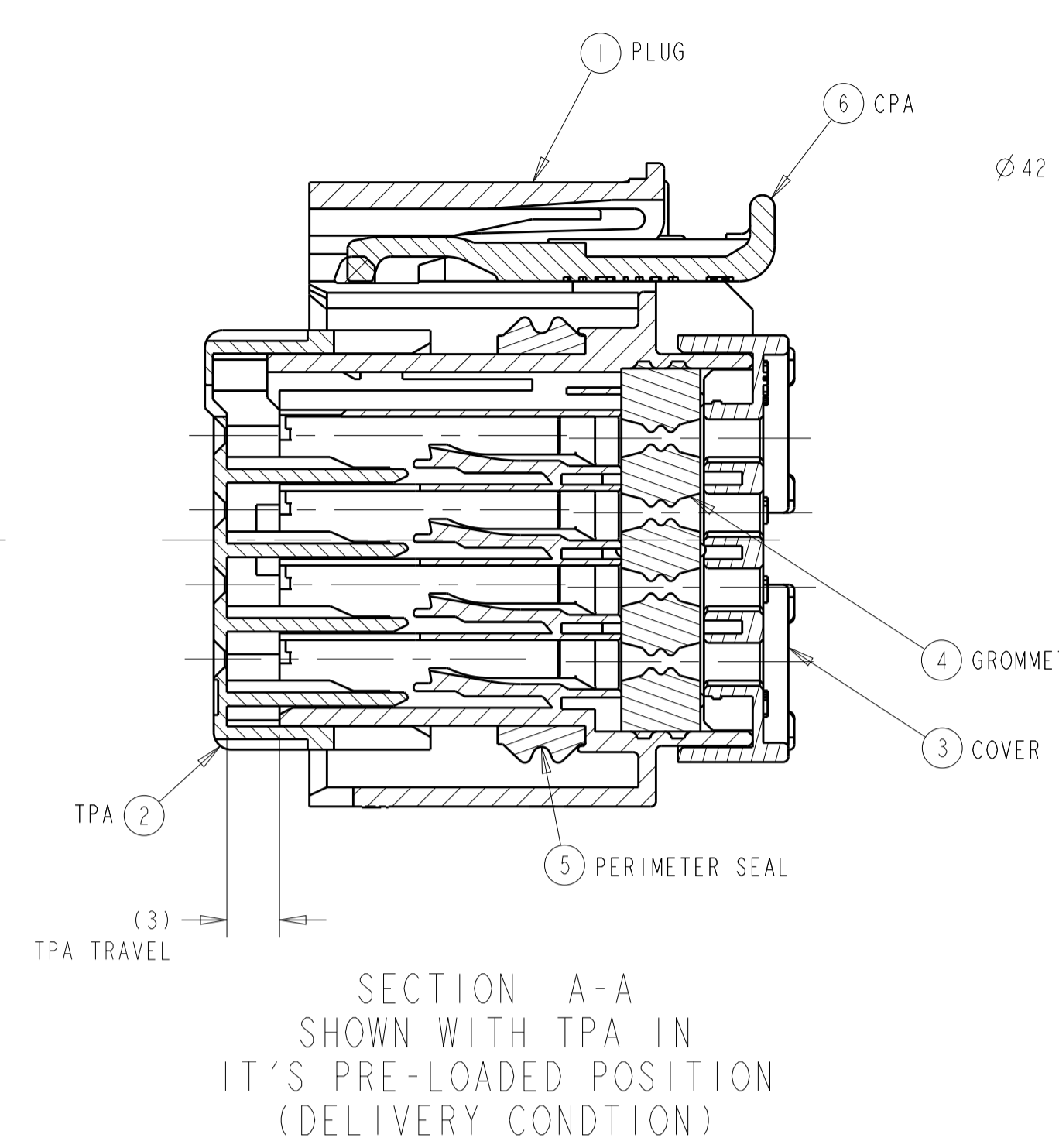
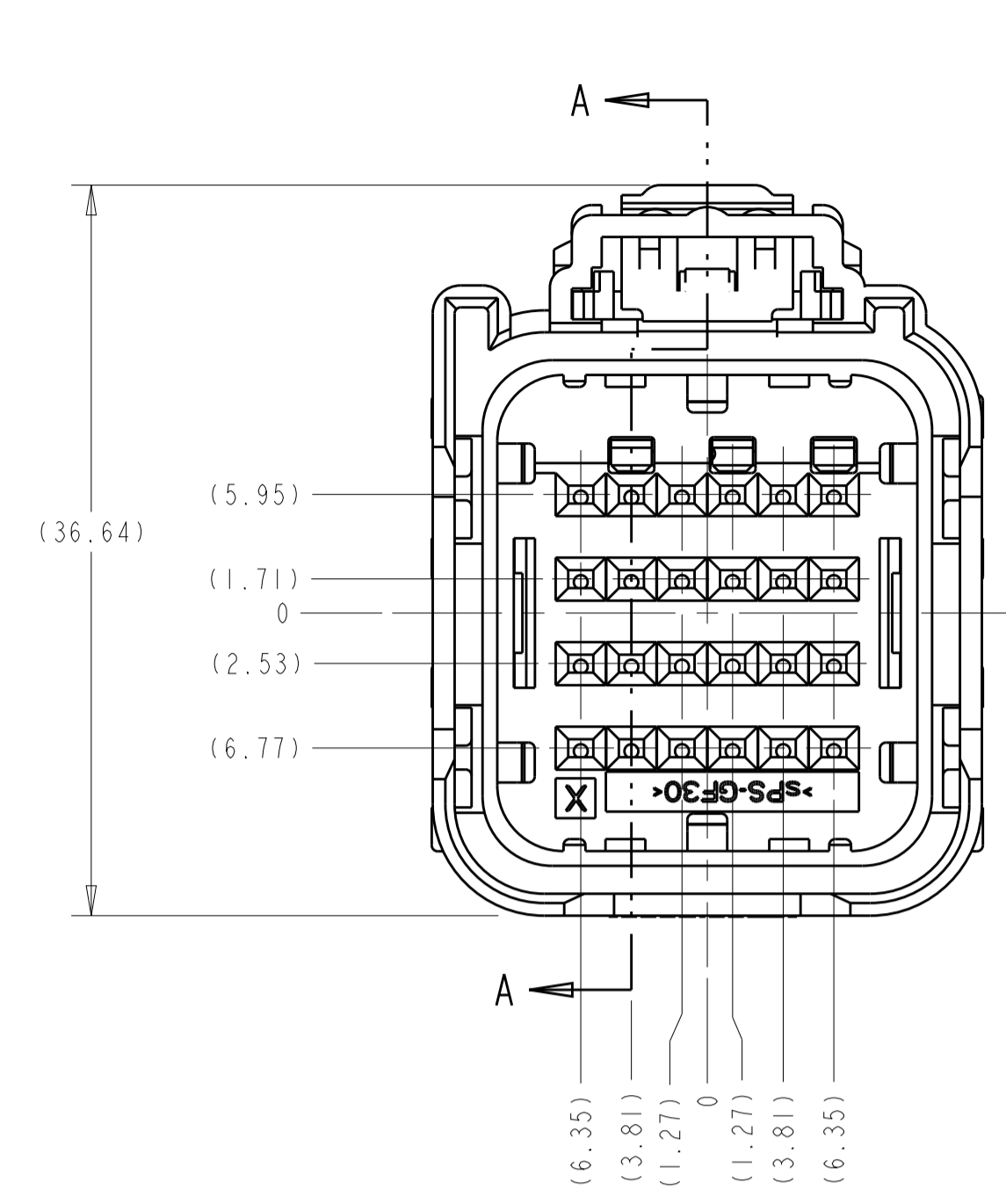
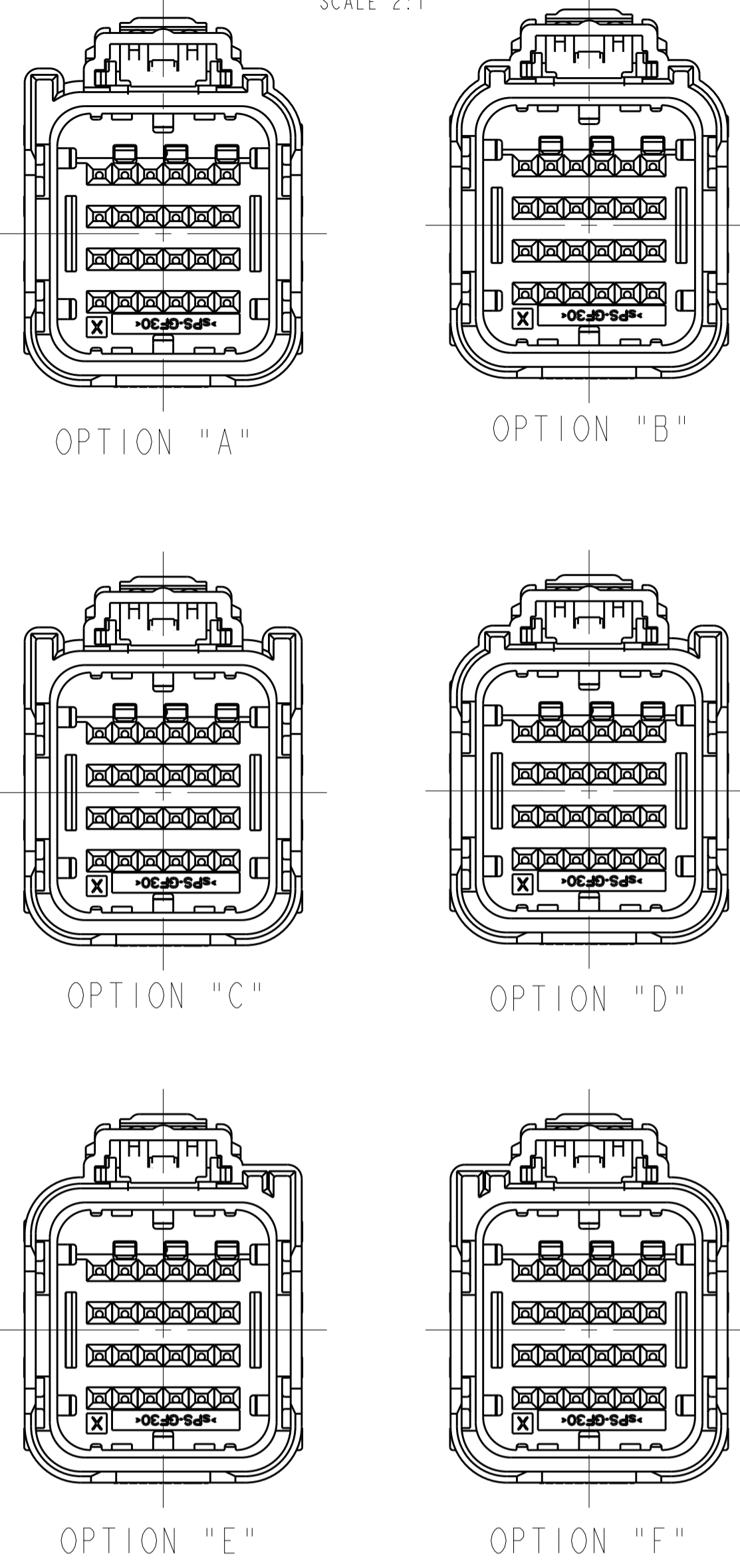


LOC	DIST	REVISIONS			
P	LTN	DESCRIPTION	DATE	OWN	APVD
BL		REVISED PER ECO-17-014327	03OCT2017	JMS	WW
BM		REVISED PER ECO-18-002641	22FEB2018	JMS	WW
BN		REVISED PER ECO-19-007173	17MAY2019	RGV	WW
BNI		REVISED PER ECO-20-012739	05OCT2020	AP	DR

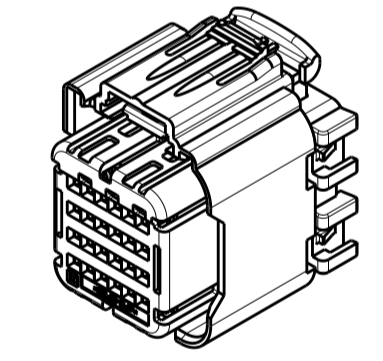
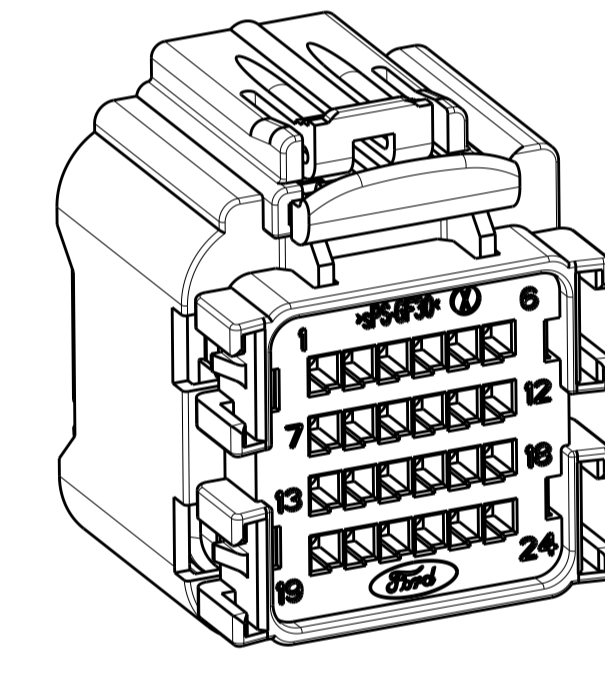
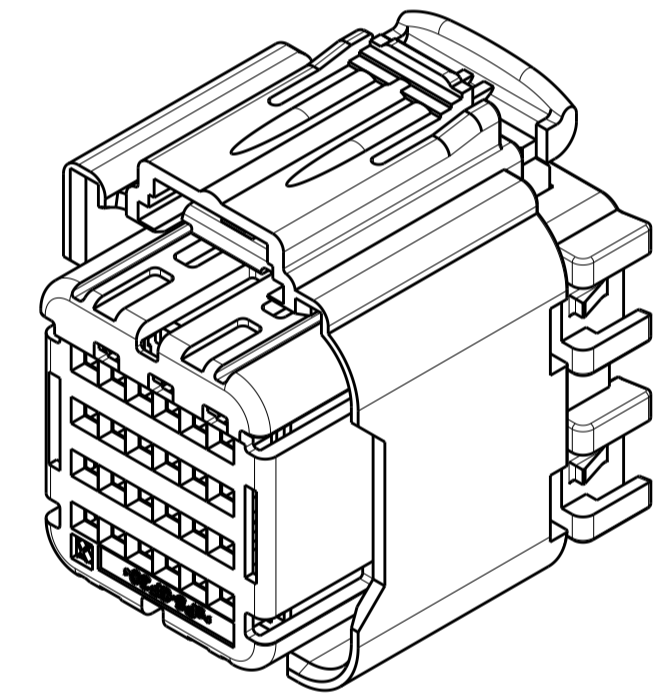
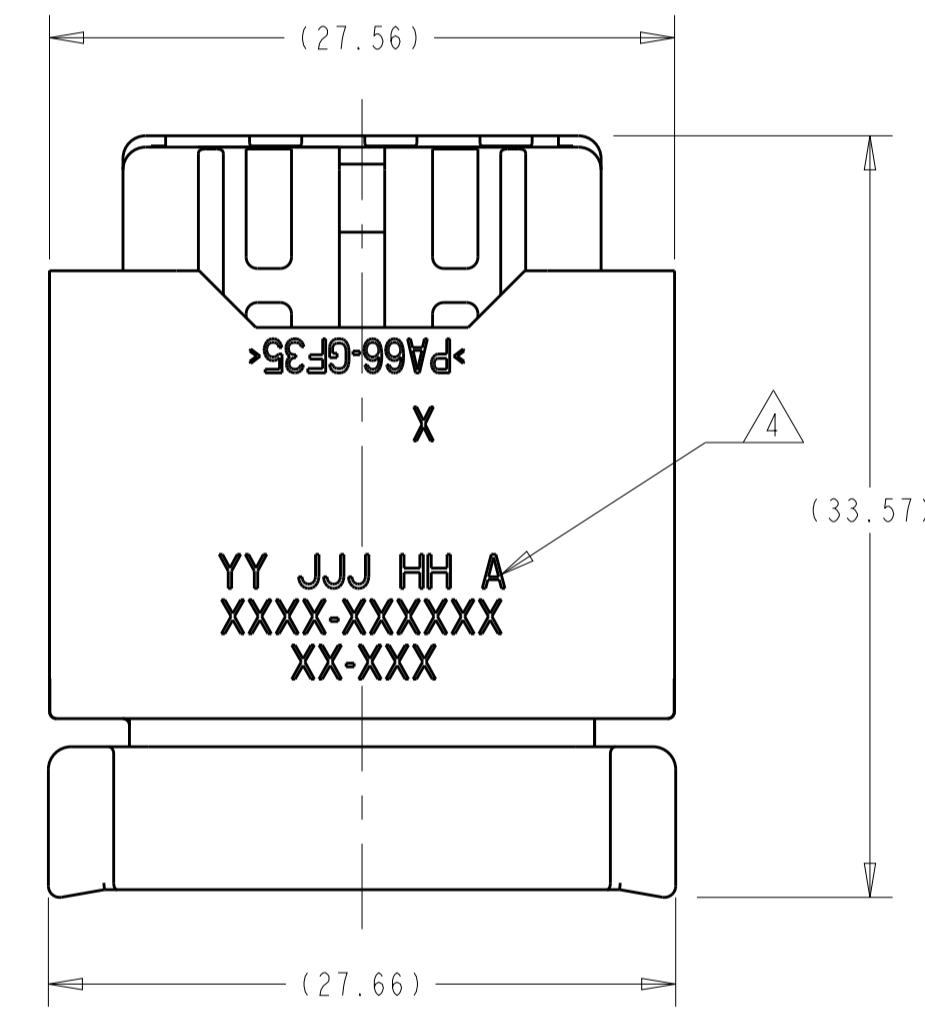
KEYING OPTIONS  
SCALE 2:1



MINIMUM FEED THROUGH CONDITION WITH 1mm CLEARANCE ALL AROUND

MINIMUM FEED THROUGH CONDITION WITH 1mm CLEARANCE ALL AROUND SHOWN WITH OPTION WIRESHIELD

- APPLICABLE TERMINAL PART NUMBERS (SOLD SEPARATELY):  
FOR TIN APPLICATIONS: 1393367 AND 1393366.  
FOR GOLD APPLICATIONS: 1393365 AND 1393364.  
FOR TERMINATION AND REELING OPTIONS  
SEE DRAWINGS 1393367, 1393366, 1393365, AND 1393364.
- COMPATIBLE WIRE SIZES FOR MAT SEAL DESIGN 1.19 TO 2.06 O.D. (22-18 AWG, 0.35-0.75 mm<sup>2</sup>)
- TPA IS SHIPPED IN IT'S PRE-LOADED POSITION. ALL ASSEMBLIES ARE TO BE TRAY PACKAGED.
- CUSTOMER PART NUMBER AND TRACEABILITY CODE (YY = TWO DIGIT YEAR, JJJ = JULIAN DAY, HH = TWO DIGIT MILITARY HOUR, A = ASSEMBLY PROCESS USED) ARE PRINTED IN THIS LOCATION.
- PART ASSEMBLY WEIGHT WITHOUT TERMINALS AND WITH STANDARD PIN-OUT CONFIGURATION IS 14.39 GRAMS.
- OPTIONAL WIRESHIELD P/N 7-1419157-8 (SOLD SEPARATELY). PLEASE CONTACT YOUR TE SALES REPRESENTATIVE FOR AVAILABILITY AND PRICING.
- OBsolete PART.



ASSEMBLY PART NUMBERS		QUANTITY
1-1438103-7		
1-1438103-6		
1-1438103-5		
1-1438356-2		
2-1438095-3		
1-1438103-4		
1438582-3		
1-1438356-1		
1-1438096-4		
1-1438103-3		
1-1438356-0		
2-1438095-2		
1-1438096-3		
1-1438096-2		
1-1438096-1		
1438583-3		
1438583-2		
1438583-1		
1438582-2		
1438582-1		
1-1438103-2		
1-1438095-1		
1-1438103-1		
1-1438095-8		
1-1438095-7		
1-1438103-0		
1-1438103-0		
1438356-9		
1438356-8		
1438103-9		
1-1438095-6		
1-1438095-5		
1-1438095-4		
1438356-7		
1438356-6		
1438356-5		
1438356-4		
1-1438095-3		
1-1438095-2		
1438103-8		
1438356-3		
1-1438095-1		
1438356-2		
1438356-1		
1-1438096-0		
1438096-9		
1438096-8		
1438096-7		
1438096-6		
1438096-5		
1438096-4		
1438096-3		
1438096-2		
4-1419171-1		
1-1438095-0		
1438095-9		
1438095-8		
1438095-7		
1438095-6		
1438095-5		
1438095-4		
1438095-3		
1438095-2		
4-1419171-0		
1438103-7		
1-1438103-6		
1438103-5		
1438103-4		
1-1438103-3		
1438103-2		
1438103-1		
7-1419157-7		
3-1419171-9		

KEYING OPTION "A" SHOWN

ITEM	DESCRIPTION	MATERIAL	FINISH/COLOR
6	CPA	PBT 15% GF	RED
5	PERIMETER SEAL	SILICONE	GREEN
4	GROMMET	SILICONE	BROWN
3	COVER	PA66 35% GF	BLACK
2	TPA WITH 3 SHORTING BAR POSITIONS CONFIGURATION	sPS 30% GF	RED
1	PLUG WITH KEYING OPTION "F" AND 3 SHORTING BAR POSITIONS CONFIGURATION	PA66 35% GF	BLACK
1	PLUG WITH KEYING OPTION "E" AND 3 SHORTING BAR POSITIONS CONFIGURATION	PA66 35% GF	BLACK
1	PLUG WITH KEYING OPTION "D" AND 3 SHORTING BAR POSITIONS CONFIGURATION	PA66 35% GF	BLACK
1	PLUG WITH KEYING OPTION "C" AND 3 SHORTING BAR POSITIONS CONFIGURATION	PA66 35% GF	NATURAL
1	PLUG WITH KEYING OPTION "B" AND 3 SHORTING BAR POSITIONS CONFIGURATION	PA66 35% GF	BLACK
1	PLUG WITH KEYING OPTION "A" AND 3 SHORTING BAR POSITIONS CONFIGURATION	PA66 35% GF	GRAY

THIS DRAWING IS A CONTROLLED DOCUMENT. DIMENSIONS: mm. TOLERANCES UNLESS OTHERWISE SPECIFIED: 0 PLC ±0.3, 1 PLC ±0.3, 2 PLC ±0.3, 3 PLC ±0.3, 4 PLC ±0.3, ANGLES ±0.1°. MATERIAL: SEE CHART ABOVE. FINISH: -.

OWN: M. FORLSKA 16APR2002. CHK: M. FORLSKA 16APR2002. APVD: A. VALASEK 16APR2002. NAME: 24 WAY ARM, PLUG ASSEMBLY WITHOUT SHORTING BARS, CUSTOMER SPEC. SIZE: CAGE CODE: DRAWING NO: RESTRICTED TO: WEIGHT: SEE NOTE 5. A1 00779 C=3-1419157-9. SCALE: 3:1. SHEET: 1 OF 3. REV: BNI.


TE Connectivity logo and name.

LOC	DIST	REVISIONS					
		P	LTN	DESCRIPTION	DATE	DWN	APVD
FX	00	-		SEE SHEET 1	-	-	-

ASSEMBLY PART NUMBERS

ITEM	DESCRIPTION	MATERIAL	FINISH/COLOR
6	CPA	PBT 15% GF	RED
5	PERIMETER SEAL	SILICONE	GREEN
4	GROMMET	SILICONE	BROWN
3	COVER	PA66 35% GF	BLACK
2	TPA WITH 3 SHORTING BAR POSITIONS CONFIGURATION	sPS 30% GF	RED
1	PLUG WITH KEYING OPTION "F" AND 3 SHORTING BAR POSITIONS CONFIGURATION	PA66 35% GF	BLACK
1	PLUG WITH KEYING OPTION "E" AND 3 SHORTING BAR POSITIONS CONFIGURATION	PA66 35% GF	BLACK
1	PLUG WITH KEYING OPTION "D" AND 3 SHORTING BAR POSITIONS CONFIGURATION	PA66 35% GF	BLACK
1	PLUG WITH KEYING OPTION "C" AND 3 SHORTING BAR POSITIONS CONFIGURATION	PA66 35% GF	NATURAL
1	PLUG WITH KEYING OPTION "B" AND 3 SHORTING BAR POSITIONS CONFIGURATION	PA66 35% GF	BLACK
1	PLUG WITH KEYING OPTION "A" AND 3 SHORTING BAR POSITIONS CONFIGURATION	PA66 35% GF	GRAY

QUANTITY

THIS DRAWING IS A CONTROLLED DOCUMENT.		DWN M. FORLSKA 16APR2002	 TE Connectivity
DIMENSIONS: mm		CHK M. FORLSKA 16APR2002	
TOLERANCES UNLESS OTHERWISE SPECIFIED: 0 PLC ± 1 PLC ±0.3 2 PLC ±0.10 3 PLC ± 4 PLC ± ANGLES ±°		APVD A. VALASEK 16APR2002	NAME: 24 WAY ARM, PLUG ASSEMBLY WITHOUT SHORTING BARS, CUSTOMER SPEC. SIZE: A1 CAGE CODE: 00779 DRAWING NO: 3-1419157-9
MATERIAL: SEE CHART ABOVE		WEIGHT: -	RESTRICTED TO: -
CUSTOMER DRAWING		SCALE: 3:1	SHEET 2 OF 3



# Mouser Electronics

Authorized Distributor

Click to View Pricing, Inventory, Delivery & Lifecycle Information:

[TE Connectivity:](#)

[1438356-1](#)