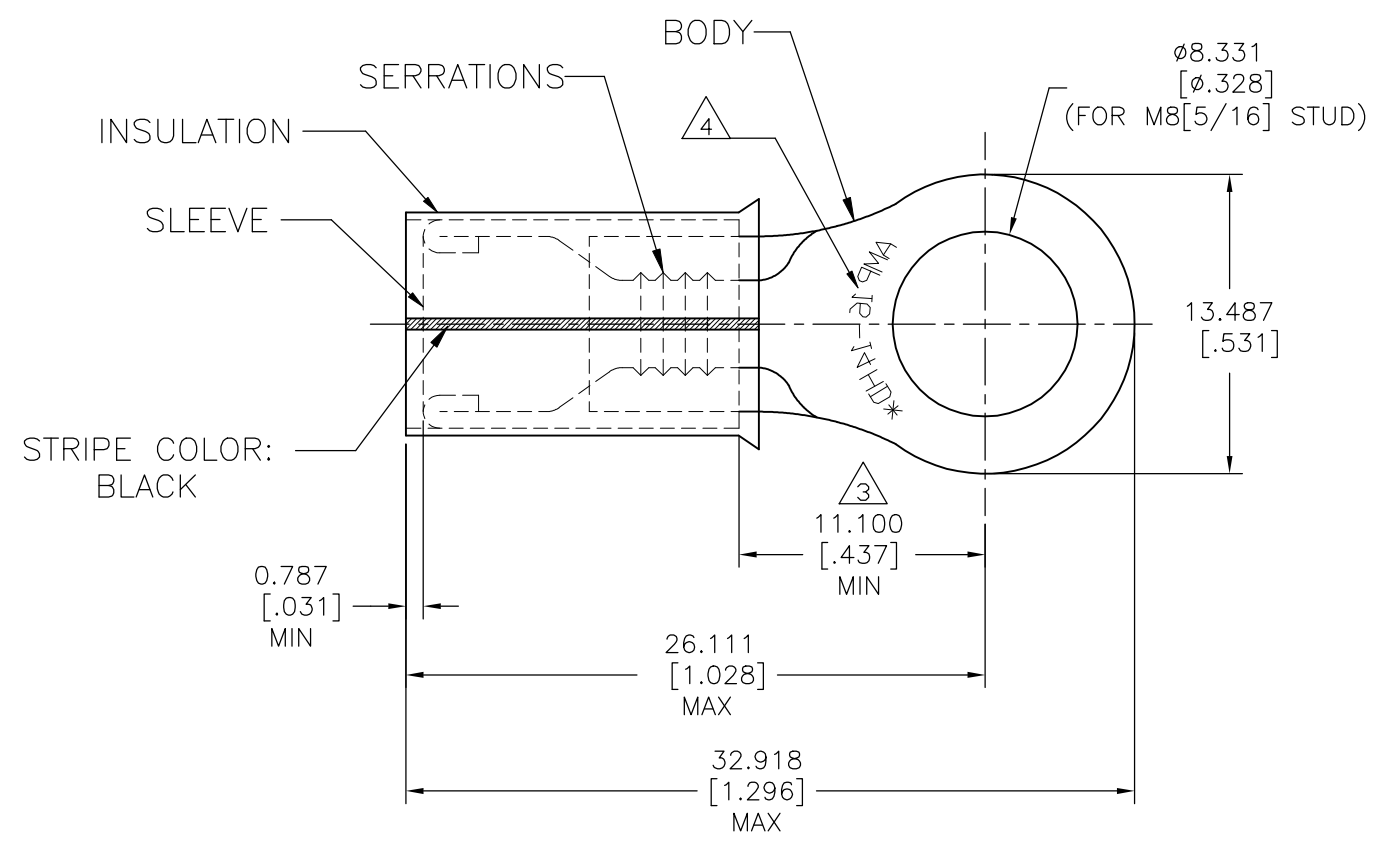


THIS DRAWING IS UNPUBLISHED. RELEASED FOR PUBLICATION
 © COPYRIGHT - TE Connectivity Ltd. ALL RIGHTS RESERVED.

REVISIONS				
P	LTR	DESCRIPTION	DATE	APVD
	J1	REVISED PER ECO-17-008114	12JUN2018	RS DR

AMP WIRE RANGE	E13288 Listed	LR7189 Certified
16-14 AWG SOLID OR STRANDED	16-14 AWG SOLID OR STRANDED	16-14 AWG SOLID OR STRANDED



- 1 FOR 3.810 TO 6.350[.150 TO .250] WIRE INSULATION DIA
- 2 BODY MATERIAL THK: 1.219±0.051[.048±.002]
- △3 APPLIES FROM EDGE OF METAL WIRE BARREL TO CENTER OF STUD HOLE
- △4 STAMP AMP 16-14 HD* APPROX AS SHOWN
- △5 MATERIAL:
BODY & SLEEVE: COPPER PER ASTM B152
INSULATION: NYLON
- △6 FINISH:
BODY & SLEEVE: TIN PL PER ASTM B545
INSULATION: COLOR - YELLOW

500	LOOSE PIECE	34810
QTY	PACKAGE TYPE	PART NO

THIS DRAWING IS A CONTROLLED DOCUMENT.		DWN RAVI S 12JUN2018	TE Connectivity Ltd.	
DIMENSIONS: mm [INCHES]		CHK ROHDE DANIEL F 12JUN2018		
TOLERANCES UNLESS OTHERWISE SPECIFIED:		APVD ROHDE DANIEL F 12JUN2018	NAME WIRE TERMINAL, P.I.D.G. - RING TONGUE WIRE SIZE: 16-14 AWG HD	
0 PLC ± - 1 PLC ± - 2 PLC ± - 3 PLC ± 0.127[.005] 4 PLC ± - ANGLES ± 5°		PRODUCT SPEC UL 486 A-B	SIZE A3	
MATERIAL △5		APPLICATION SPEC 114-2157	CAGE CODE 00779	DRAWING NO C-34810
FINISH △6		WEIGHT	RESTRICTED TO -	REVISION J1
CUSTOMER DRAWING			SCALE NTS	SHEET 1 OF 1

Mouser Electronics

Authorized Distributor

Click to View Pricing, Inventory, Delivery & Lifecycle Information:

[TE Connectivity:](#)

[1-34810-1](#)