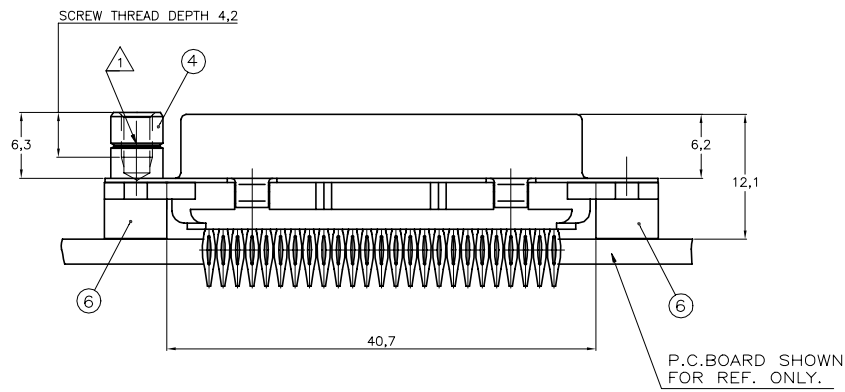
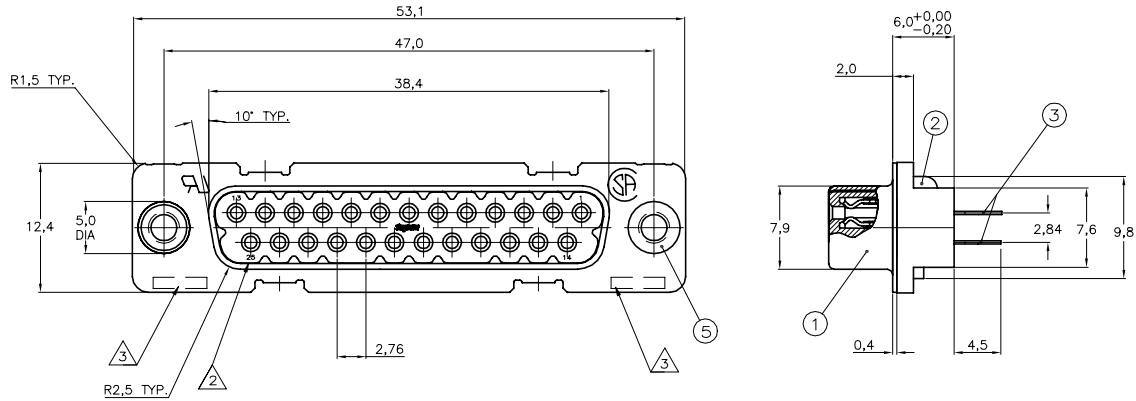
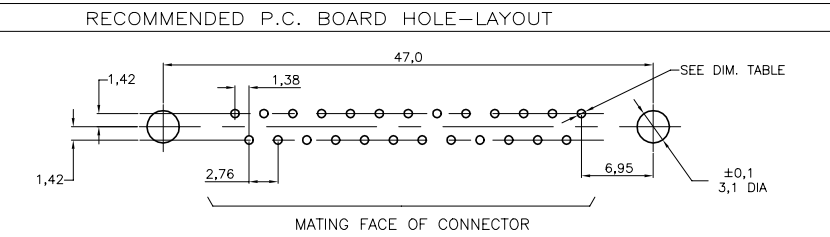


REVISIONS				
IP	LTR	DESCRIPTION	DATE	OWN / APVD
J2		ECO-20-004921	13APR2020	RR / SH



△ 6 OBSOLETE PARTS: OBSOLETE CIS STREAMLINING PER D.RENAUD/D.SINISI

P.C.B. HOLE DIM. FOR CONTACTS		
DRILLED HOLE	: 1,15±0,025	mm
FIN. HOLE	: 0,94 to 1,09	mm
AFTER REFLOW	: 0,91 to 1,09	mm
Cu-thks	: 0,025 to 0,075	mm
SnPb-thks	: 0,004 to 0,010	mm



ACCESSORIES PREFIX "Z"	ITEM NO	DESCRIPTION OF ACCESSORY	QTY	UNIT	REMARKS
5		BUSHING WITH THROUGH HOLE 3,1 DIA.	2		
5		BUSHING WITH THREAD 4-40 UNC	2		
5		BUSHING WITH THREAD M3	2		
4		FEMALE SCREWLOCK WITH 4-40 UNC	2		
4		FEMALE SCREWLOCK WITH M3	2		

**HOW TO ORDER:**  
 25POS.-----> Z-338212-Y  
 PREFIX FOR ACCESSORIES }  
 BASIC PARTNR. }  
 SUFFIX FOR PLATING }

0-XXXXX-Y  
 1-XXXXXX-Y  
 2-XXXXXX-Y  
 3-XXXXXX-Y  
 4-XXXXXX-Y

**PLATING SUFFIX "Y"**  
 GOLD OVER NICKEL AS PER PERFORMANCE LEVEL 2 (DIN 41652) } -Y = -2  
 PRESS-FIT PART: TIN-PLATING 3µm }

- NOTES :**
- △ GROOVE INDICATES VERSION WITH 4-40 UNC INNER THREAD; WITHOUT GROOVE INDICATES VERSION WITH M3 INNER THREAD.
  - △ CAVITY IDENTIFICATION AT FRONT SIDE ONLY.
  - △ PARTNUMBER AND DATE CODE.
  - 4 CONNECTOR CAN BE USED FOR PCB THICKNESS OF 1,6 mm MINIMUM AND THICKER.
  - 5 AIR AND CREEPAGE DISTANCES ACCORDING TO DIN 41652.

- ITEM NRS./MATERIAL :**
- ① SHELL = BRIGHT TINPLATED STEEL
  - ② HOUSING = GLASSFILLED POLYESTER, COLOR : BLACK
  - ③ CONTACTS = PHOSPHORBRONZE (PLATING : SEE TABLE ABOVE)
  - ④ FEMALE SCREWLOCK = TINPLATED STEEL (INNER THREAD 4-40 UNC OR M3)
  - ⑤ BUSHING = TINPLATED STEEL (INNER THREAD 4-40 UNC OR M3 OR 3,1 DIA. THROUGH HOLE)
  - ⑥ STAND OFF = MAT: ULTRAMID V0 COLOR BLACK.

THIS DRAWING IS A CONTROLLED DOCUMENT.		OWN: D. KESSLER	25JAN99		
DIMENSIONS: mm		CHK: W. SOOMERS	APVD: -		
TOLERANCES UNLESS OTHERWISE SPECIFIED:		PRODUCT SPEC		HDP-20 SIZE 3	
0 PLC ± -		APPLICATION SPEC		VERTICAL+ RECEPTACLE HEADER; PRESS-FITVERSION	
1 PLC ± -		WEIGHT 0,000000		RESTRICTED TO -	
2 PLC ± -		SIZE A2		CAGE CODE 00779	
3 PLC ± -		DRAWING NO. 338212		SCALE - SHEET 1 of 1	
4 PLC ± -		CUSTOMER DRAWING		REV J2	
ANGLES ± -					

# Mouser Electronics

Authorized Distributor

Click to View Pricing, Inventory, Delivery & Lifecycle Information:

[TE Connectivity:](#)

[338212-2](#)