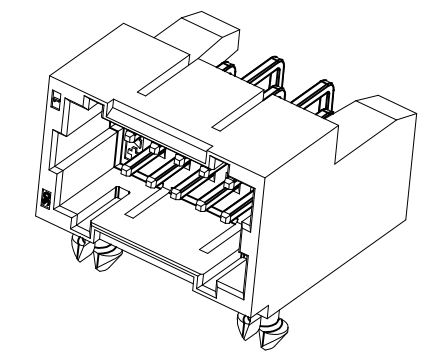
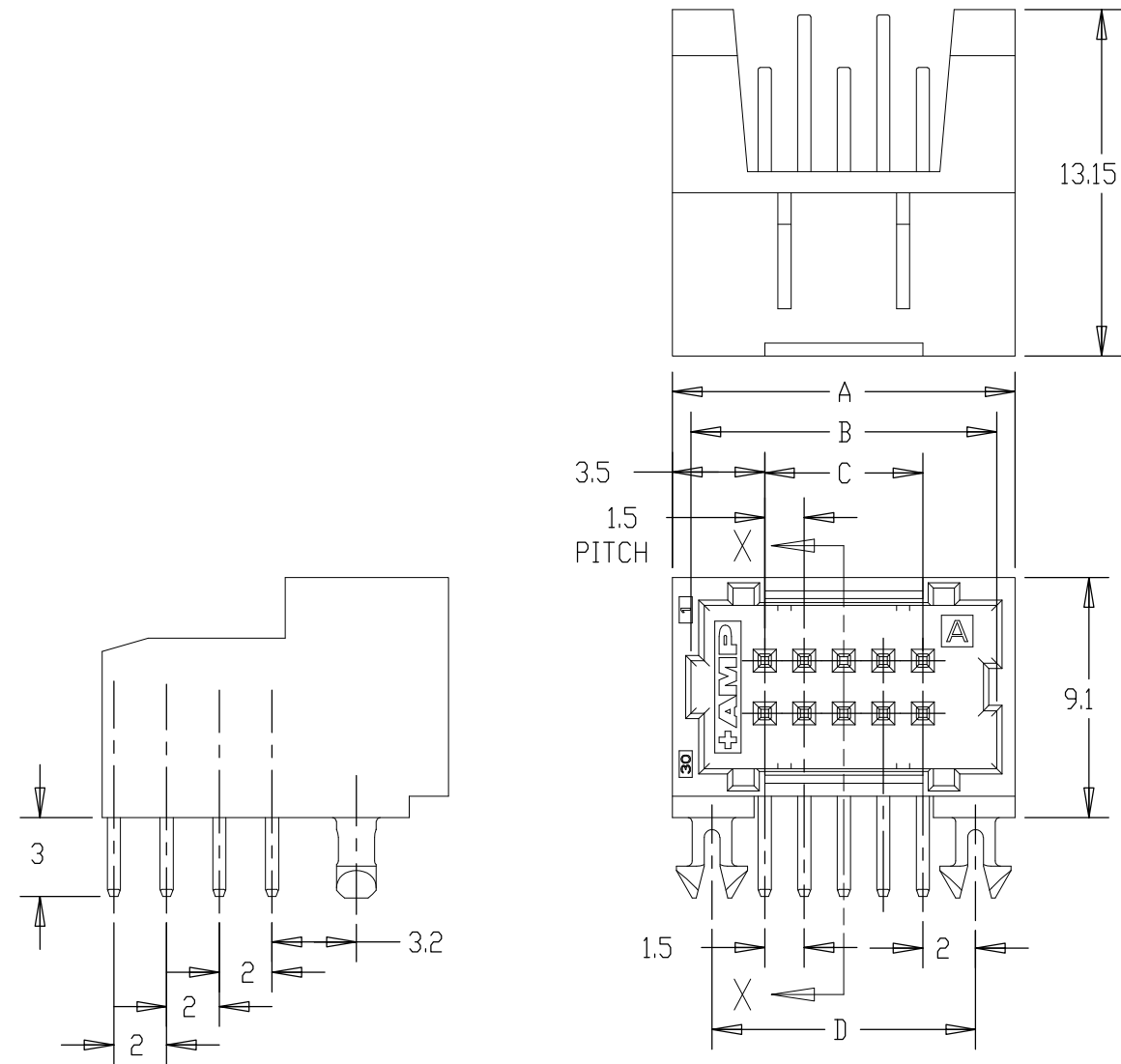
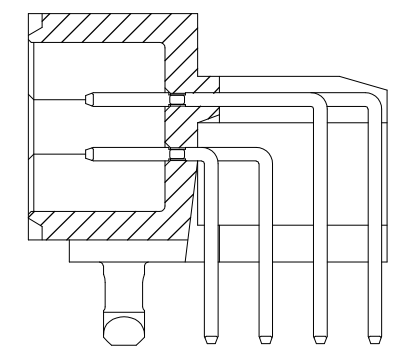


THIS DRAWING IS UNPUBLISHED. RELEASED FOR PUBLICATION
 © COPYRIGHT - By - ALL RIGHTS RESERVED.

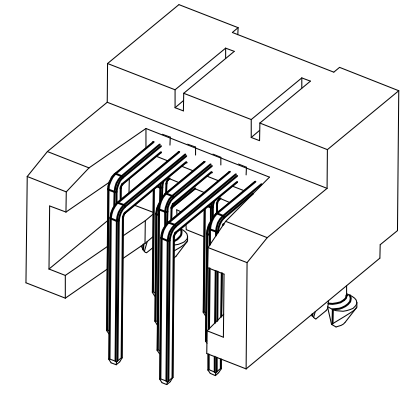
LOC	DIST	REVISIONS					
ES	00	P	LTR	DESCRIPTION	DATE	DWN	APVD
			B2	REVISED PER ECO-11-005033	29MAR11	RK	HMR



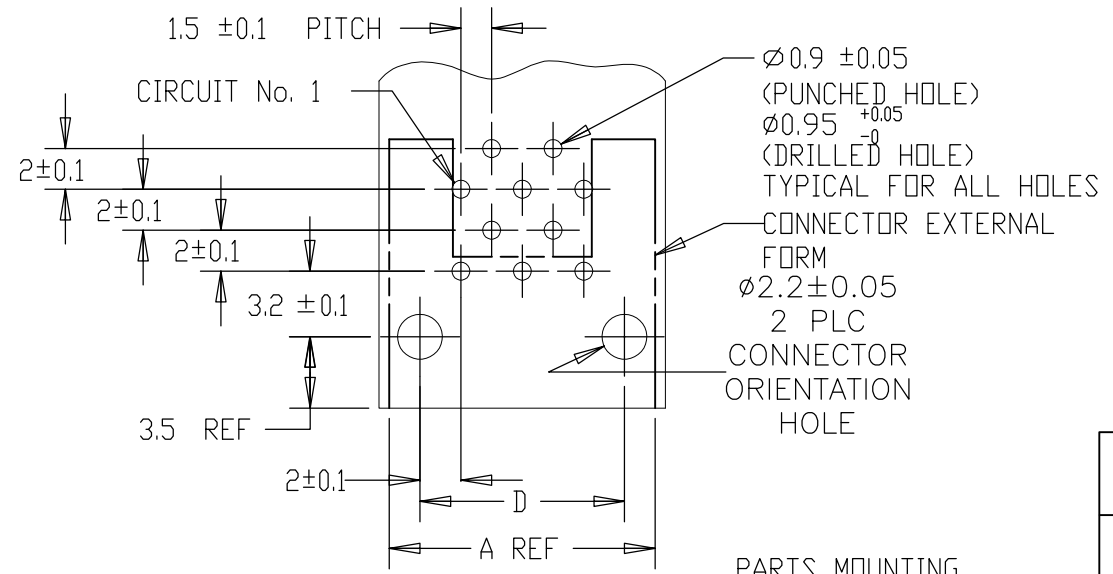
ISOMETRIC VIEW
SCALE 3:1



SECTION X-X



ISOMETRIC VIEW
SCALE 3:1



RECOMMENDED PCB LAYOUT - THK= 1.6
NON-ACCUMULATIVE TOLERANCE
SCALE 3:1

PARTS MOUNTING
SIDE

NOTES:

- MATERIAL:
HOUSING: NYLON (G.F) UL 94V-0
POST: PRE-TIN 0.5MM SQ BRASS WIRE
- GENERAL TOLERANCE ±0.3

THIS DRAWING IS A CONTROLLED DOCUMENT.		DWN	J.JIANG	13FEB03	TE Connectivity		
DIMENSIONS: mm		CHK	S.YAO	13FEB03			
TOLERANCES UNLESS OTHERWISE SPECIFIED:		APVD	T.SASAKI	13FEB03	NAME		
0 PLC	± -	PRODUCT SPEC		DBL ROW (H) TYPE WITH BOADLOCK HDR ASSY			
1 PLC	± 0.3	108-60018		For AMP Mini Common Terminated (CT)			
2 PLC	± 0.10	APPLICATION SPEC		Connector 1.5mm Pitch			
3 PLC	± 0.001	114-5223		SIZE	CAGE CODE	DRAWING NO	RESTRICTED TO
4 PLC	± 0.0001	WEIGHT -		A300779		C-292262	
ANGLES	± -	MATERIAL SEE NOTE		CUSTOMER DRAWING		SCALE	4:1
FINISH	± -			SHEET		1 OF 2	
				REV		B2	

4

3


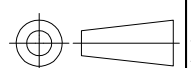
2

1

THIS DRAWING IS UNPUBLISHED. RELEASED FOR PUBLICATION - , - .
 © COPYRIGHT - By - ALL RIGHTS RESERVED.

LOC	DIST	REVISIONS					
		P	LTR	DESCRIPTION	DATE	DWN	APVD
ES	00		-	SEE SHEET 1	-	-	-

2.7	35.5	28.5	34.1	35.5	40	9-292262-0	4-292262-0
2.6	31.0	27.0	32.6	34.0	38	8-292262-8	3-292262-8
2.5	29.5	25.5	31.1	32.5	36	8-292262-6	3-292262-6
2.4	28.0	24.0	29.6	31.0	34	8-292262-4	3-292262-4
2.3	26.5	22.5	28.1	29.5	32	8-292262-2	3-292262-2
2.2	25.0	21.0	26.6	28.0	30	8-292262-0	3-292262-0
2.1	23.5	19.5	25.1	26.5	28	7-292262-8	2-292262-8
2.0	22.0	18.0	23.6	25.0	26	7-292262-6	2-292262-6
1.9	20.5	16.5	22.1	23.5	24	7-292262-4	2-292262-4
1.8	19.0	15.0	20.6	22.0	22	7-292262-2	2-292262-2
NET WEIGHT (g)	D	C	B	A	POS	BLUE	GRAY (NATURAL)
	DIMENSIONS					P/N	

THIS DRAWING IS A CONTROLLED DOCUMENT.		DWN	 TE Connectivity				
DIMENSIONS: mm		CHK	NAME				
		APVD	DBL ROW (H) TYPE WITH BOADRLOCK HDR ASSY For AMP Mini Common Terminated (CT) Connector 1.5mm Pitch				
TOLERANCES UNLESS OTHERWISE SPECIFIED:		PRODUCT SPEC	SIZE				
0 PLC ± - 1 PLC ± 0.3 2 PLC ± 0.10 3 PLC ± 0.001 4 PLC ± 0.0001 ANGLES ± -		APPLICATION SPEC	CAGE CODE				
MATERIAL		WEIGHT	DRAWING NO				
SEE NOTE 1		CUSTOMER DRAWING	A3 00779 C-292262				
			RESTRICTED TO				
			SCALE 1:1 SHEET 2 OF 2 REV B2				

Mouser Electronics

Authorized Distributor

Click to View Pricing, Inventory, Delivery & Lifecycle Information:

[TE Connectivity:](#)

[2-292262-6](#)