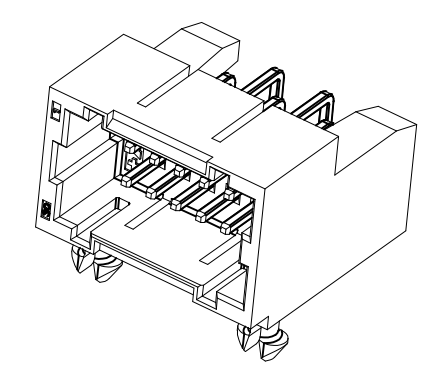
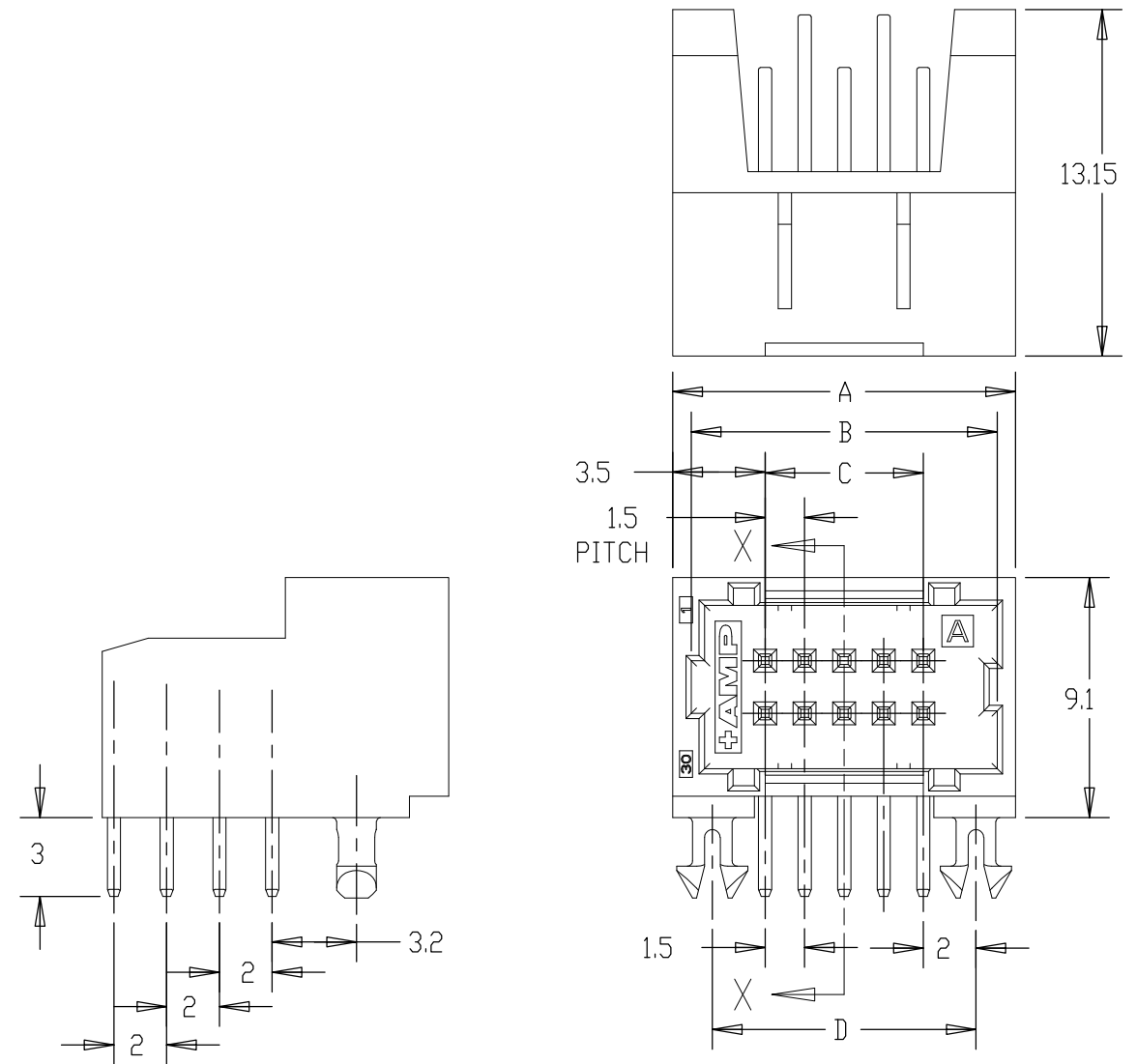
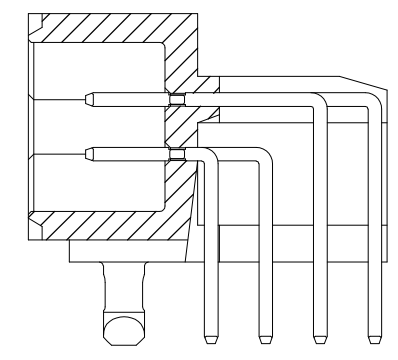


THIS DRAWING IS UNPUBLISHED. RELEASED FOR PUBLICATION
 © COPYRIGHT - By - ALL RIGHTS RESERVED.

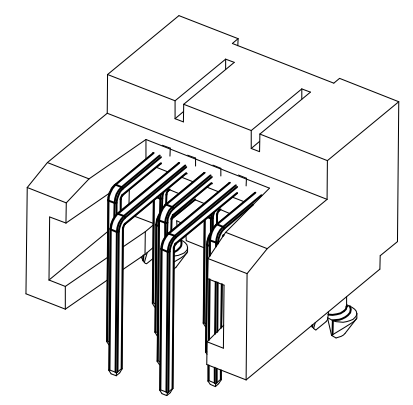
LOC	DIST	REVISIONS			
P	LTR	DESCRIPTION	DATE	DWN	APVD
ES	00	B2	REVISED PER ECO-11-005033	29MAR11	RK HMR



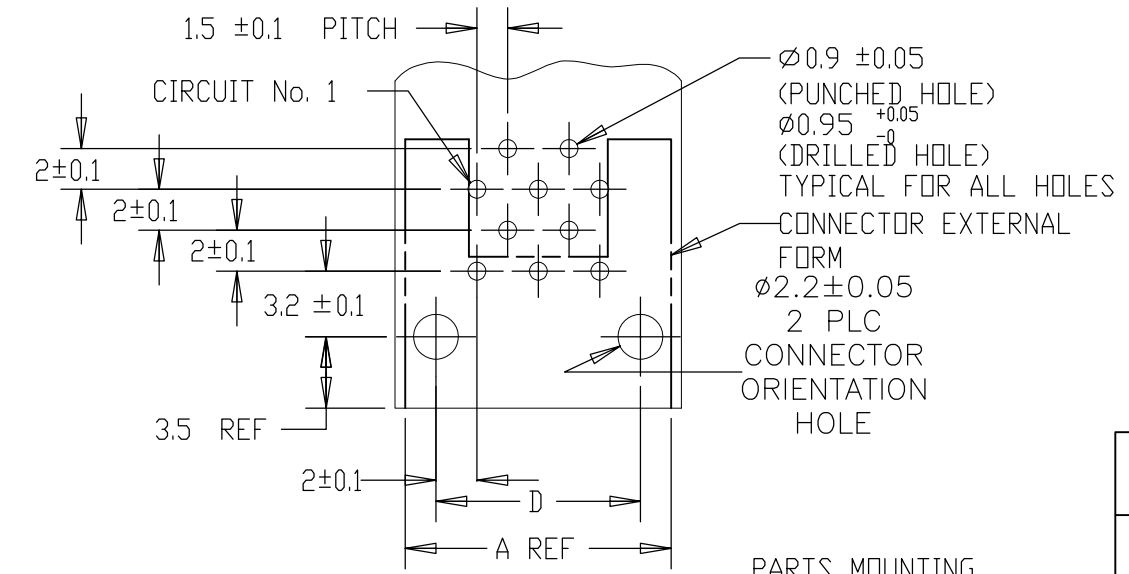
ISOMETRIC VIEW
SCALE 3:1



SECTION X-X



ISOMETRIC VIEW
SCALE 3:1



RECOMMENDED PCB LAYOUT - THK= 1.6
NON-ACCUMULATIVE TOLERANCE
SCALE 3:1

PARTS MOUNTING
SIDE

NOTES:

- MATERIAL:
HOUSING: NYLON (G.F) UL 94V-0
POST: PRE-TIN 0.5MM SQ BRASS WIRE
- GENERAL TOLERANCE ±0.3

THIS DRAWING IS A CONTROLLED DOCUMENT.		DWN J.JIANG 13FEB03	TE Connectivity		
DIMENSIONS: mm		CHK S.YAO 13FEB03			
TOLERANCES UNLESS OTHERWISE SPECIFIED:		APVD T.SASAKI 13FEB03	DBL ROW (H) TYPE WITH BOADRLOCK HDR ASSY For AMP Mini Common Terminated (CT) Connector 1.5mm Pitch		
0 PLC ± - 1 PLC ± 0.3 2 PLC ± 0.10 3 PLC ± 0.001 4 PLC ± 0.0001 ANGLES ± - FINISH		PRODUCT SPEC 108-60018	SIZE	CAGE CODE	DRAWING NO
MATERIAL SEE NOTE		APPLICATION SPEC 114-5223	A3	00779	C-292262
		WEIGHT -	RESTRICTED TO		
		CUSTOMER DRAWING	SCALE 4:1	SHEET 1 OF 2	REV B2

4

3

2


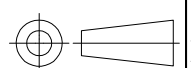
1

THIS DRAWING IS UNPUBLISHED. RELEASED FOR PUBLICATION - , - .

© COPYRIGHT - By - ALL RIGHTS RESERVED.

LOC	DIST	REVISIONS					
		P	LTR	DESCRIPTION	DATE	DWN	APVD
ES	00		-	SEE SHEET 1	-	-	-

2.7	35.5	28.5	34.1	35.5	40	9-292262-0	4-292262-0
2.6	31.0	27.0	32.6	34.0	38	8-292262-8	3-292262-8
2.5	29.5	25.5	31.1	32.5	36	8-292262-6	3-292262-6
2.4	28.0	24.0	29.6	31.0	34	8-292262-4	3-292262-4
2.3	26.5	22.5	28.1	29.5	32	8-292262-2	3-292262-2
2.2	25.0	21.0	26.6	28.0	30	8-292262-0	3-292262-0
2.1	23.5	19.5	25.1	26.5	28	7-292262-8	2-292262-8
2.0	22.0	18.0	23.6	25.0	26	7-292262-6	2-292262-6
1.9	20.5	16.5	22.1	23.5	24	7-292262-4	2-292262-4
1.8	19.0	15.0	20.6	22.0	22	7-292262-2	2-292262-2
NET WEIGHT (g)	D	C	B	A	POS	BLUE	GRAY (NATURAL)
	DIMENSIONS					P/N	

THIS DRAWING IS A CONTROLLED DOCUMENT.		DWN	 TE Connectivity				
DIMENSIONS: mm		CHK					
		APVD					
TOLERANCES UNLESS OTHERWISE SPECIFIED: 0 PLC ± - 1 PLC ± 0.3 2 PLC ± 0.10 3 PLC ± 0.001 4 PLC ± 0.0001 ANGLES ± -		PRODUCT SPEC					
MATERIAL		APVD	NAME				
SEE NOTE 1		PRODUCT SPEC	DBL ROW (H) TYPE WITH BOADRLOCK HDR ASSY				
		APPLICATION SPEC	For AMP Mini Common Terminated (CT)				
		WEIGHT	Connector 1.5mm Pitch				
		CUSTOMER DRAWING	SIZE	CAGE CODE	DRAWING NO	RESTRICTED TO	
			A3	00779	C-292262	-	
			SCALE	SHEET	REV		
			1:1	2 OF 2	B2		

Mouser Electronics

Authorized Distributor

Click to View Pricing, Inventory, Delivery & Lifecycle Information:

[TE Connectivity:](#)

[3-292262-0](#)