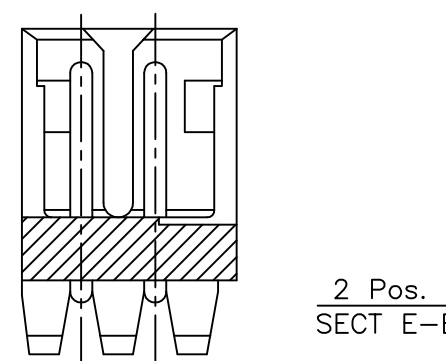
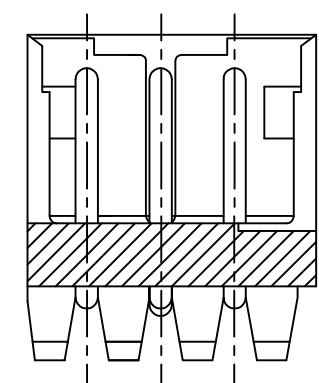
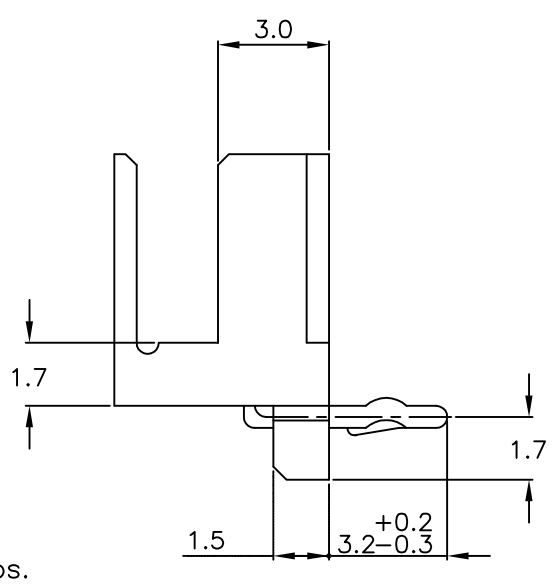
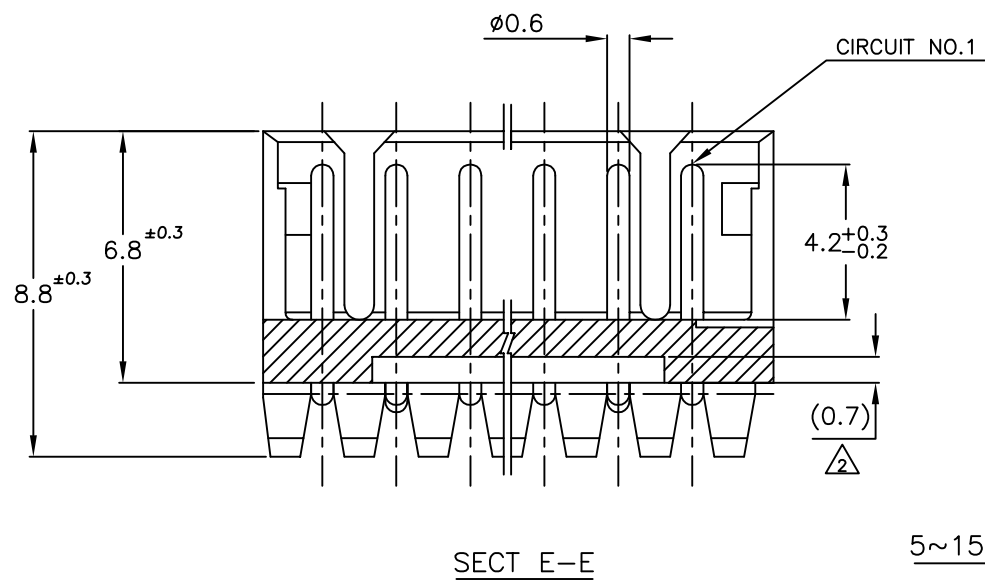
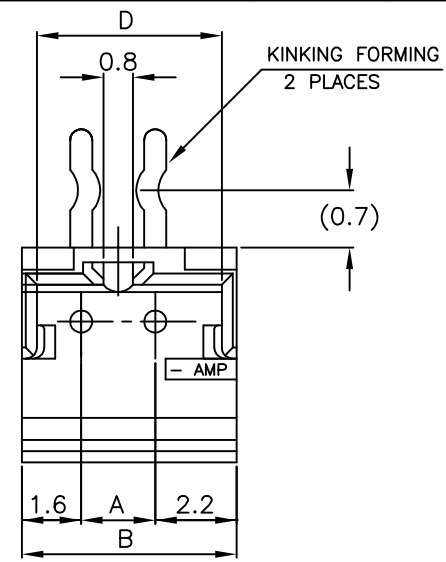
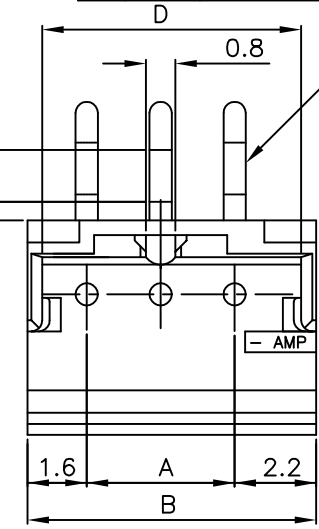
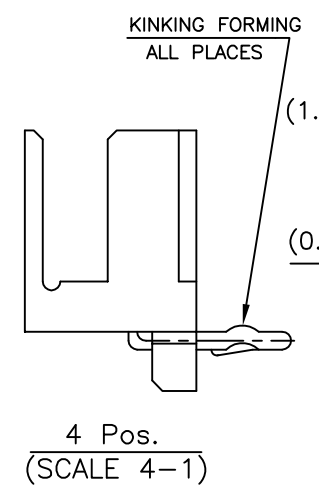
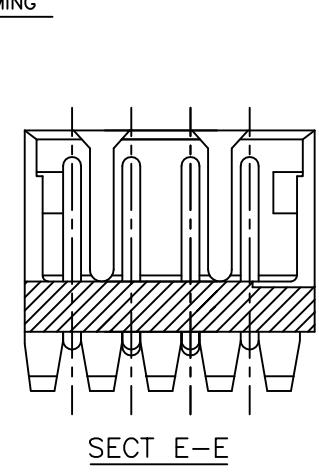
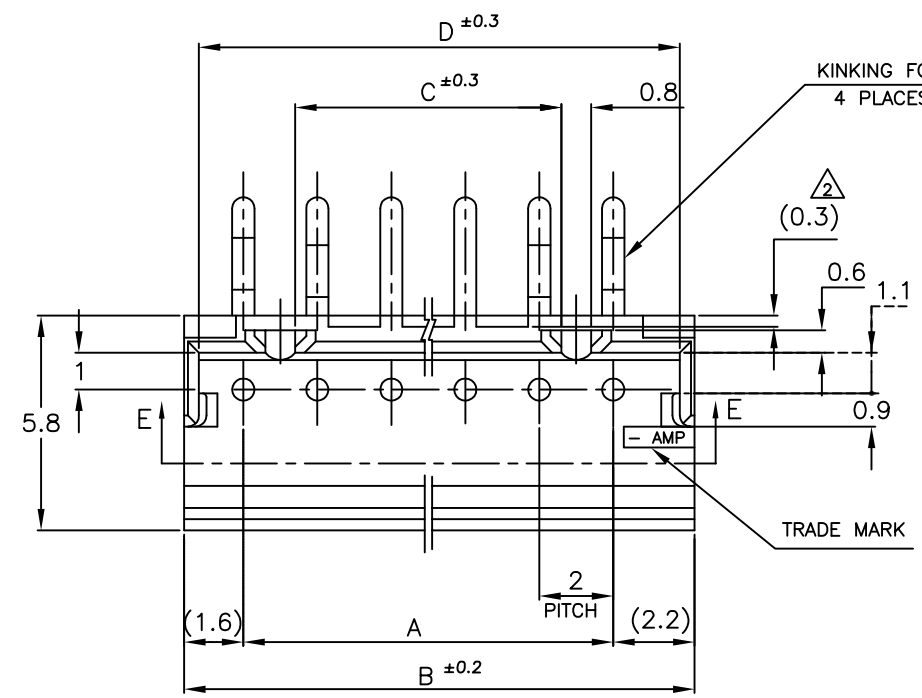


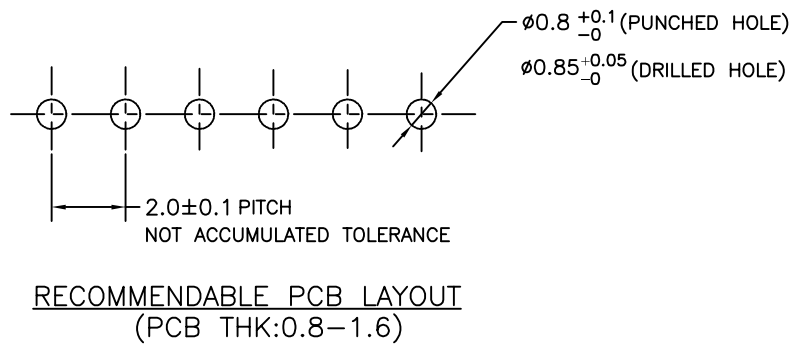
THIS DRAWING IS UNPUBLISHED. RELEASED FOR PUBLICATION
 © COPYRIGHT - By - ALL RIGHTS RESERVED.

LOC	DIST	REVISIONS		
FB	00	P	LTR	DESCRIPTION
		P1	REVISED	ECR-14-006619
				DATE
				15MAY14
				DWN
				T.Q
				APVD
				W.H



7-292250-5	5-292250-5	3-292250-5	1-292250-5	15	28	31.8	25.2	31.0
7- ↑ -4	5- ↑ -4	3- ↑ -4	1- ↑ -4	14	26	29.8	23.2	29.0
7- ↑ -3	5- ↑ -3	3- ↑ -3	1- ↑ -3	13	24	27.8	21.2	27.0
7- ↑ -2	5- ↑ -2	3- ↑ -2	1- ↑ -2	12	22	25.8	19.2	25.0
7- ↑ -1	5- ↑ -1	3- ↑ -1	1- ↑ -1	11	20	23.8	17.2	23.0
7- ↑ -0	5- ↑ -0	3- ↑ -0	1- ↑ -0	10	18	21.8	15.2	21.0
6- ↓ -9	4- ↓ -9	2- ↓ -9		9	16	19.8	13.2	19.0
6- ↓ -8	4- ↓ -8	2- ↓ -8		8	14	17.8	11.2	17.0
6- ↓ -7	4- ↓ -7	2- ↓ -7		7	12	15.8	9.2	15.0
6- ↓ -6	4- ↓ -6	2- ↓ -6		6	10	13.8	7.2	13.0
6- ↓ -5	4- ↓ -5	2- ↓ -5		5	8	11.8	5.2	11.0
6- ↓ -4	4- ↓ -4	2- ↓ -4		4	6	9.8	3.2	9.0
6- ↓ -3	4- ↓ -3	2- ↓ -3		3	4	7.8	—	7.0
6-292250-2	4-292250-2	2-292250-2	292250-2	2	2	5.8	—	5.0
BLACK	YELLOW	BLUE	NATURAL	Pos.	A	B	C	D

NOTES:
 1. MATERIAL: HOUSING - NYLON 66 (UL94V-0)
 POST - TIN BRASS
 △ 12 POS ~ 15 POS ONLY



THIS DRAWING IS A CONTROLLED DOCUMENT.

DWN	S.XU	31JAN03
CHK	S.YAO	31JAN03
APVD	T. SASAKI	31JAN03
PRODUCT SPEC	108-60016	
APPLICATION SPEC	-	
WEIGHT	-	
CUSTOMER DRAWING	SCALE 5:1	

TE Connectivity

POST HEADER ASS'Y BOX-H DIP
(AMP CT CONNECTOR 2mm PITCH)

SIZE	CAGE CODE	DRAWING NO	RESTRICTED TO
A3	00779	C=292250	-

SHEET 1 OF 1 REV P1

Mouser Electronics

Authorized Distributor

Click to View Pricing, Inventory, Delivery & Lifecycle Information:

[TE Connectivity:](#)

[1-292250-1](#)