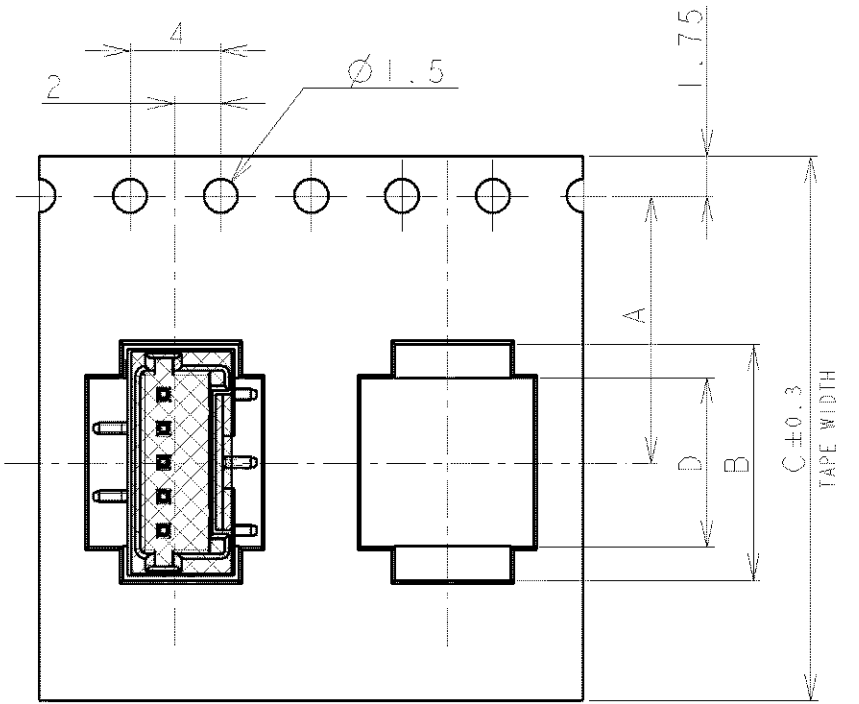


THIS DRAWING IS UNPUBLISHED.

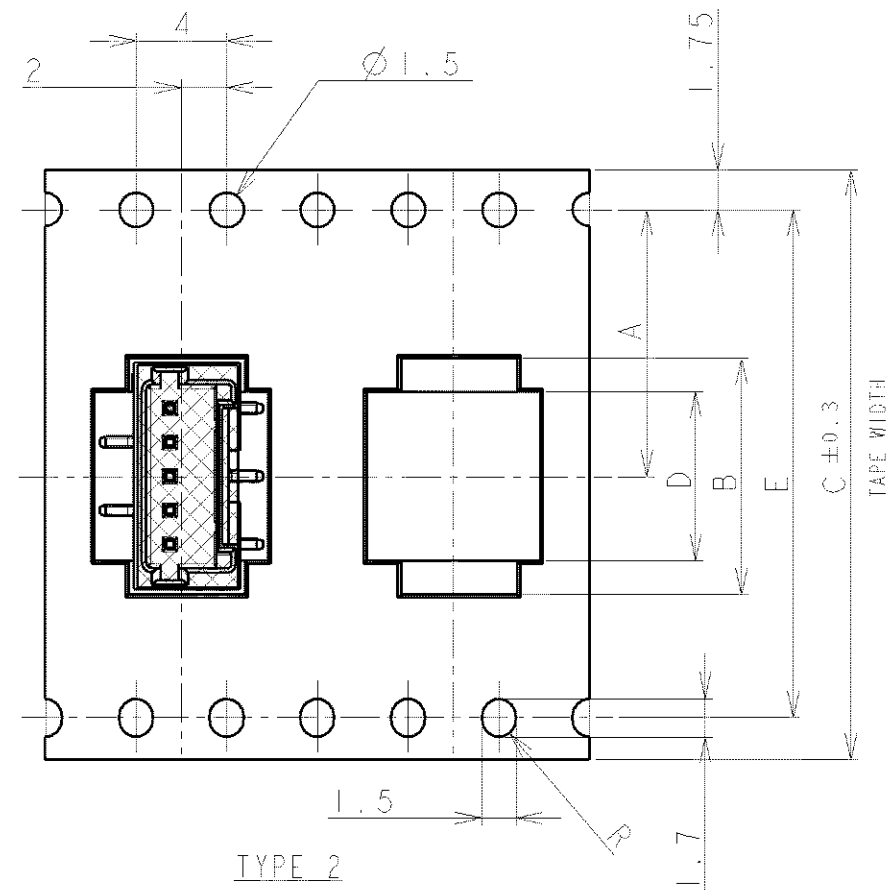
RELEASED FOR PUBLICATION

© COPYRIGHT BY ALL RIGHTS RESERVED

LOC	DIST	REVISIONS			
P	LR	DESCRIPTION	DATE	DWN	APVD
FB	00	A2	REVISED PER	ECR-16-012124	07DEC16 T.Q W.H

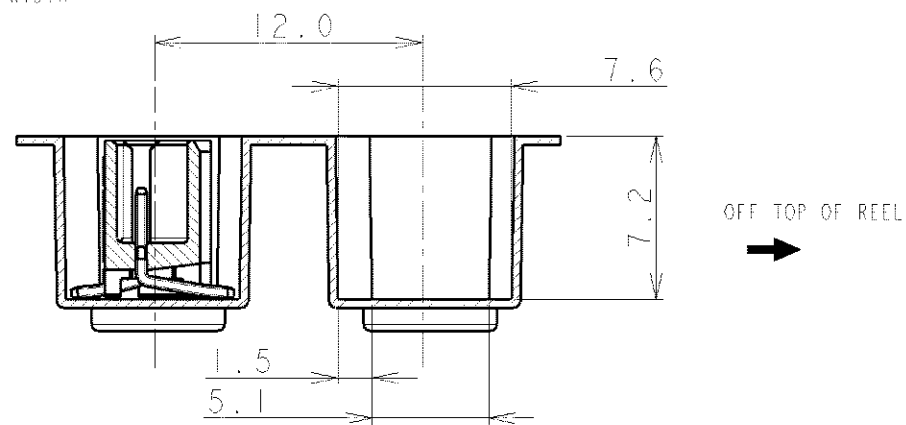
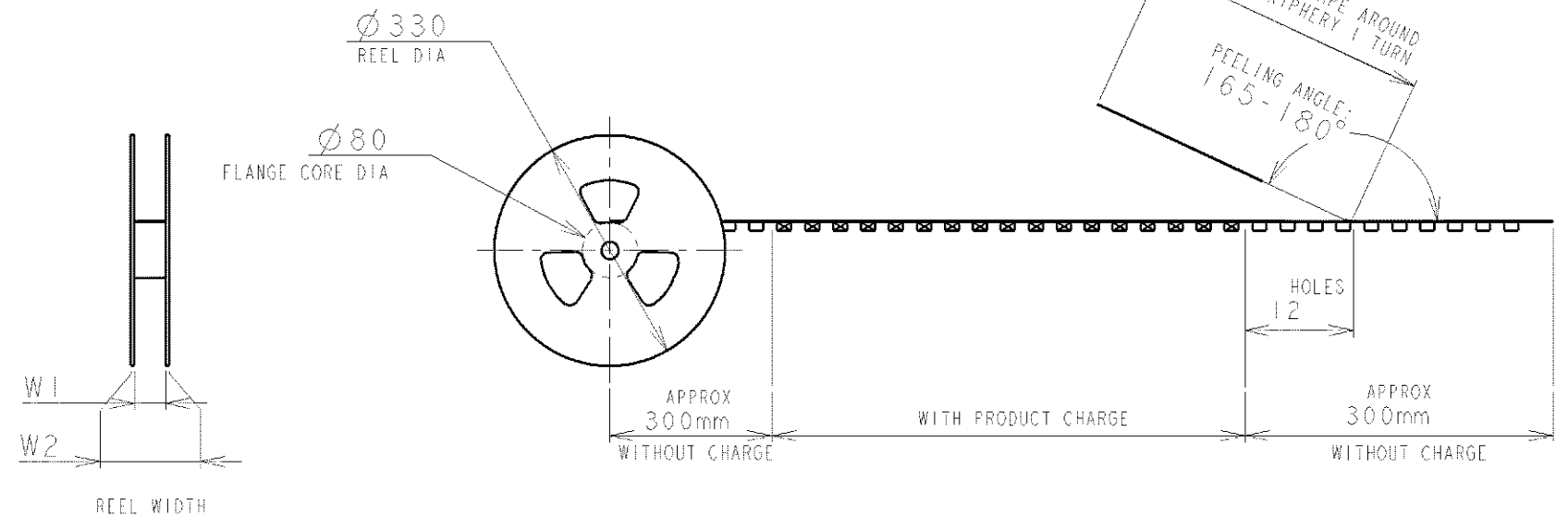
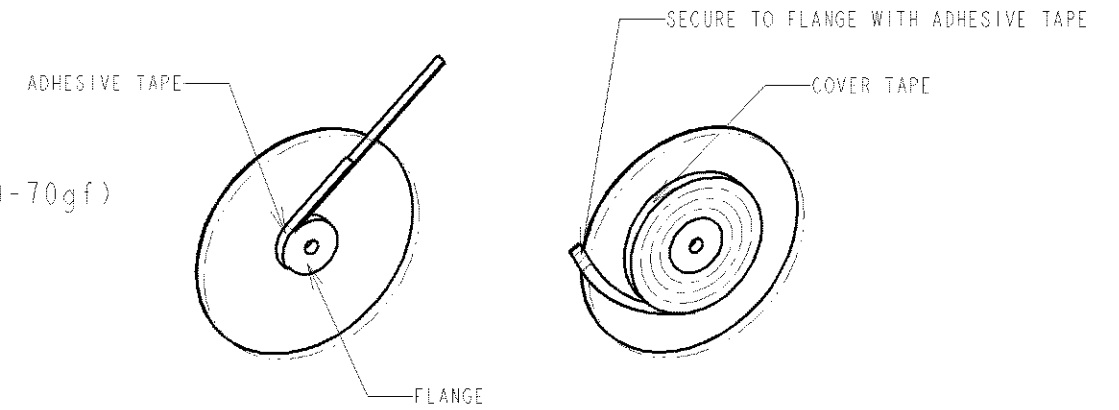


TYPE 1



TYPE 2

NOTE:
 1. PEELING STRENGTH: 0.20-0.69N (20-70gf)
 PEELING ANGLE: 165-180°
 PEELING SPEED: 300mm/MINUTE.



TOLERANCES UNLESS OTHERWISE SPECIFIED:

- 10 > : ±0.2
- 30 > * > 10 : ±0.25
- 100 > * > 30 : ±0.3
- ANGLE : ±3°

DIMENSIONS: mm	TOLERANCES UNLESS OTHERWISE SPECIFIED: 0 PLC ± 1 PLC ± 2 PLC ± 3 PLC ± 4 PLC ± ANGLES ±	DWN S.XU 31JAN03	STE TE Connectivity		
		CHK S.YAO 31JAN03			
MATERIAL	FINISH	APVD T.SASAKI 31JAN03	NAME AMP Mini Common Terminated (CT) Connector 1.5mm PITCH		
		PRODUCT SPEC 108-60018	SINGLE ROW POST HDR ASS'Y (V) SMT TYPE		
APPLICATION SPEC 114-5223		SIZE A3	CAGE CODE 00779	DRAWING NO C-292232	RESTRICTED TO
CUSTOMER DRAWING		SCALE NON		SHEET 1 OF 4	REV A2

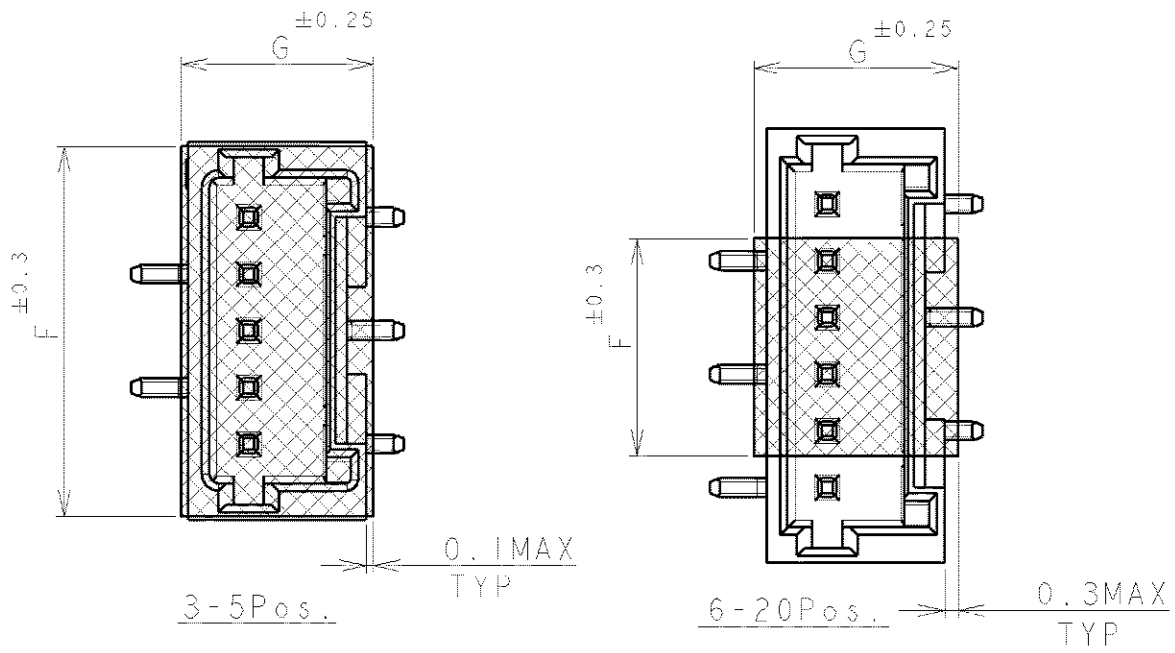
THIS DRAWING IS UNPUBLISHED.

ALL RIGHTS RESERVED.

BY

© COPYRIGHT

LOC FB	DIST 00	REVISIONS			
P	LTR	DESCRIPTION	DATE	DWN	APVD
		SEE SHEET 1			



TYPE	DIMENSIONS								A	QTY/REEL	POS	COLOR	ON TAPE P/N	
	W2	W1	G	F	E	D	C	B						
TYPE 2	49.5	45.5	5.0	9.5	40.4	29.9	44	32.9	20.2±0.15	500	20	BEIGE	2-292232-0	
	49.5	45.5	5.0	9.5	40.4	28.4	44	31.4		500	19		1-292232-9	
	49.5	45.5	5.0	9.5	40.4	26.9	44	29.9		500	18		1-292232-8	
	49.5	45.5	5.0	9.5	40.4	25.4	44	28.4		500	17		1-292232-7	
	49.5	45.5	5.0	9.5	40.4	23.9	44	26.9		500	16		1-292232-6	
	49.5	45.5	5.0	9.5	40.4	22.4	44	25.4		500	15		1-292232-5	
	49.5	45.5	5.0	9.5	40.4	20.9	44	23.9		500	14		1-292232-4	
	49.5	45.5	5.0	9.5	40.4	19.4	44	22.4		500	13		1-292232-3	
	37.5	33.5	5.0	9.5	28.4	17.9	32	20.9		14.2	500		12	1-292232-2
	37.5	33.5	5.0	9.5	28.4	16.4	32	19.4		14.2	500		11	1-292232-1
TYPE 1	37.5	33.5	5.0	9.5	28.4	14.9	32	17.9	14.2	500	10	1-292232-0		
	37.5	33.5	5.0	6.5	28.4	13.4	32	16.4	14.2	500	9	292232-9		
	29.5	25.5	5.0	6.5	-	11.9	24	14.9	11.5	500	8	292232-8		
	29.5	25.5	5.0	6.5	-	10.4	24	13.4	11.5	500	7	292232-7		
	29.5	25.5	5.0	6.5	-	8.9	24	11.9	11.5	500	6	292232-6		
	29.5	25.5	5.0	9.5	-	7.4	24	10.4	11.5	500	5	292232-5		
TAPE TYPE	21.5	17.5	5.0	8.0	-	5.9	16	8.9	7.5	500	4	292232-4		
	21.5	17.5	5.0	6.5	-	4.4	16	7.4	7.5	500	3	292232-3		

DIMENSIONS: mm

TOLERANCES UNLESS OTHERWISE SPECIFIED:

0 PLC ±

1 PLC ±

2 PLC ±

3 PLC ±

4 PLC ±

ANGLES ±

DWN

CHK

APVD

PRODUCT SPEC
SEE SHEET 1

APPLICATION SPEC
SEE SHEET 1

WEIGHT

CUSTOMER DRAWING

MATERIAL

FINISH

TE Connectivity

NAME AMP Mini Common Terminated (CT) Connector 1.5mm PITCH
SINGLE ROW POST HDR ASS'Y (V) SMT TYPE
WITH POLYIMIDE TAPE, WITH BOSS, EMBOSS TAPE PACKAGED

SIZE A4 CAGE CODE 00779 DRAWING NO G-292232 RESTRICTED TO

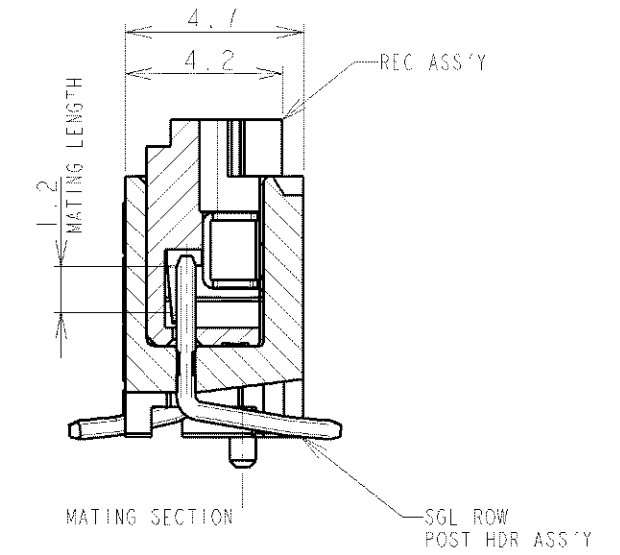
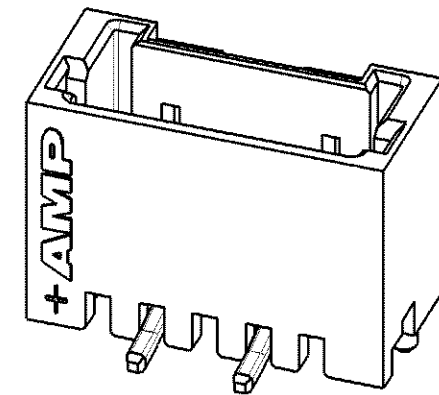
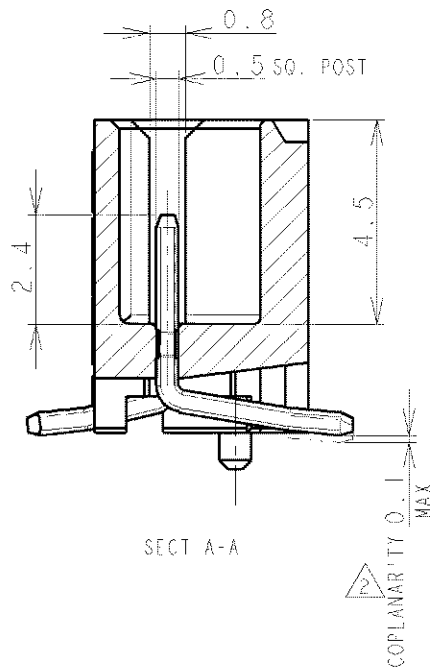
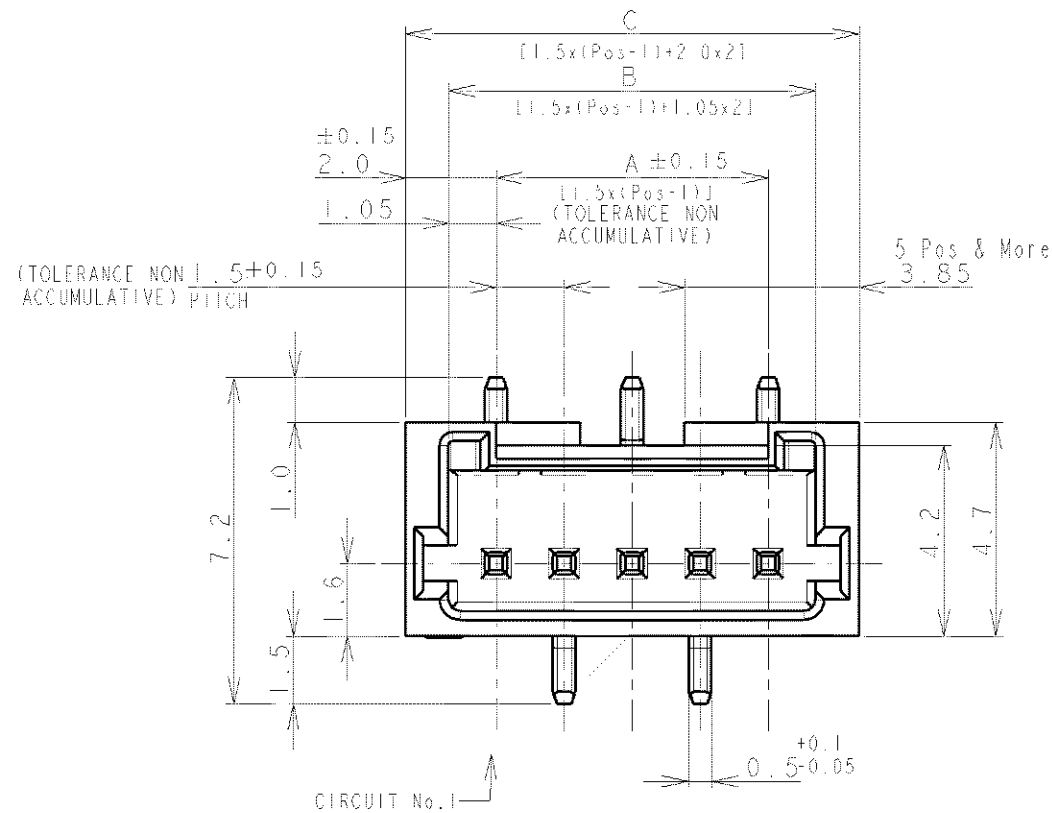
SCALE NON SHEET 2 OF 4 REV A2

THIS DRAWING IS UNPUBLISHED

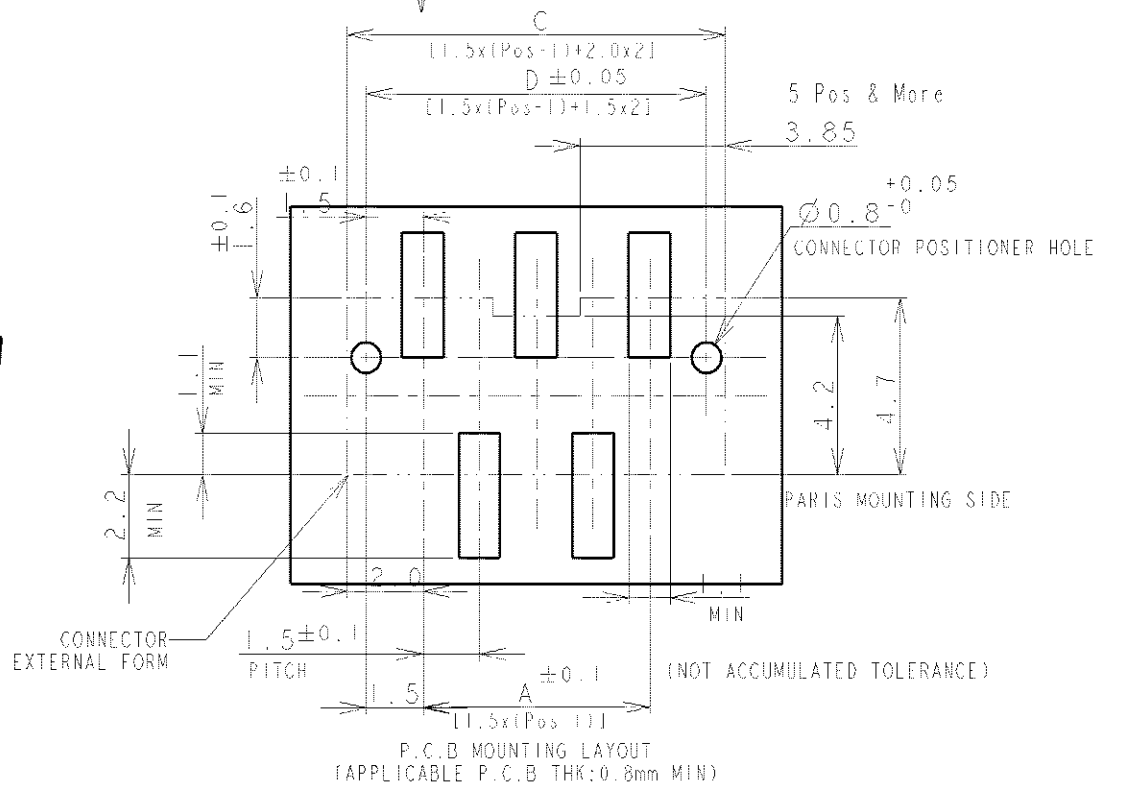
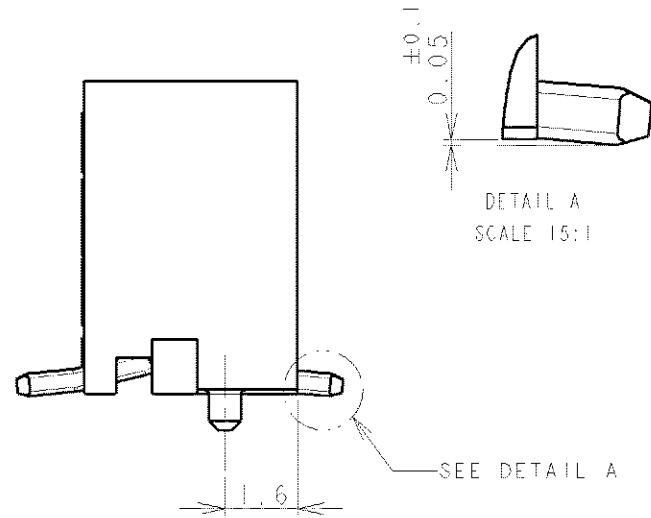
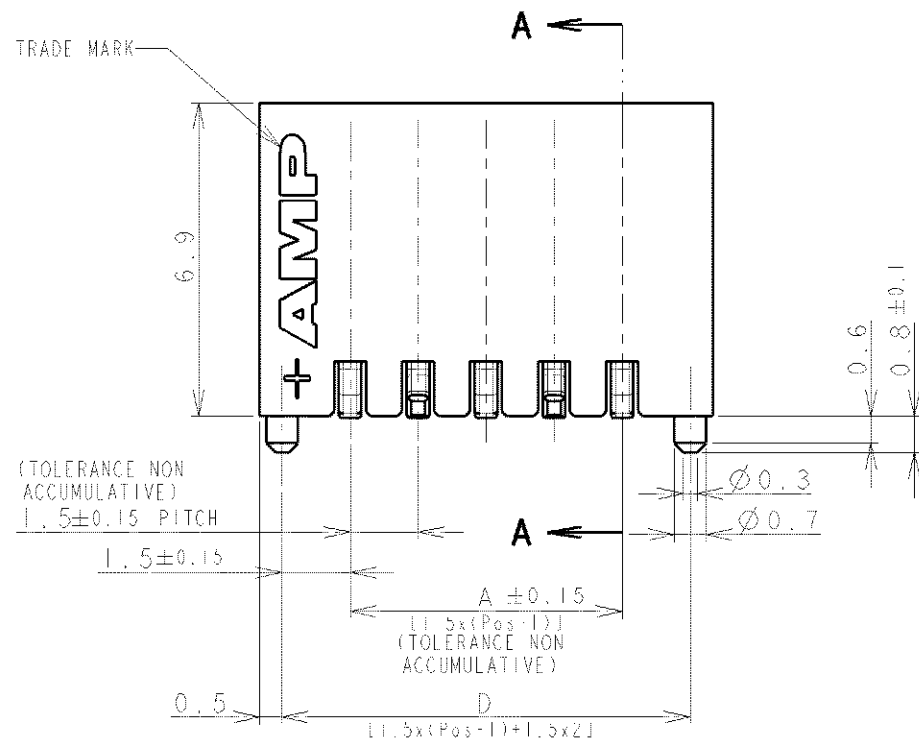
RELEASED FOR PUBLICATION

© COPYRIGHT BY ALL RIGHTS RESERVED.

LOC	DIST	REVISIONS			
P	LTR	DESCRIPTION	DATE	DWN	APVD
FB	00	SEE SHEET 1			



CIRCUIT No. 1



SHOWN AS WIHTOUT TAPE

NOTES:
 1. MATERIAL:
 HOUSING: GLASS FILLED, HIGH HEAT RESISTANT NYLON, UL94V-0, COLOR: BEIGE OR BLACK
 POST: Sn-100% BRASS WIRE
 TO BE MEASURED WITH CONNECTOR PLACED ON HORIZONTAL DATUM SURFACE,
 FLOAT OF SOLDER TINE FROM DATUM SURFACE IS 0.1mm MAX.

DWN		STE TE Connectivity	
CHK			
APVD		NAME	
PRODUCT SPEC		AMP MINI COMMON TERMINATION (CT) CONNECTOR 1.5 mm PITCH SINGLE ROW POST HDR ASS'Y (V) SMT TYPE WITH BOSS	
APPLICATION SPEC		RESTRICTED TO	
WEIGHT		SIZE	CAGE CODE
MATERIAL		DRAWING NO	
FINISH		A3 00779 C-292232	
SEE NOTE 1		CUSTOMER DRAWING	
SEE NOTE 1		SCALE	SHEET
		NON	3 OF 4
		REV A2	

RELEASED FOR PUBLICATION

THIS DRAWING IS UNPUBLISHED.


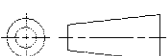
ALL RIGHTS RESERVED.

BY

© COPYRIGHT

LOC	DIST	REVISIONS					
FB	00	P	LTR	DESCRIPTION	DATE	DWN	APVD
				SEE SHEET 1	-	-	-

0.98	31.5	32.5	30.6	28.5	20	2-292232-0
0.93	30.0	31.0	29.1	27.0	19	1-292232-9
0.89	28.5	29.5	27.6	25.5	18	1-292232-8
0.84	27.0	28.0	26.1	24.0	17	1-292232-7
0.80	25.5	26.5	24.6	22.5	16	1-292232-6
0.75	24.0	25.0	23.1	21.0	15	1-292232-5
0.71	22.5	23.5	21.6	19.5	14	1-292232-4
0.66	21.0	22.0	20.1	18.0	13	1-292232-3
0.62	19.5	20.5	18.6	16.5	12	1-292232-2
0.57	18.0	19.0	17.1	15.0	11	1-292232-1
0.52	16.5	17.5	15.6	13.5	10	1-292232-0
0.48	15.0	16.0	14.1	12.0	9	292232-9
0.43	13.5	14.5	12.6	10.5	8	292232-8
0.39	12.0	13.0	11.1	9.0	7	292232-7
0.34	10.5	11.5	9.6	7.5	6	292232-6
0.30	9.0	10.0	8.1	6.0	5	292232-5
0.25	7.5	8.5	6.6	4.5	4	292232-4
0.20	6.0	7.0	5.1	3.0	3	292232-3
WEIGHT (g)	D	C	B	A	Pos.	BEIGE (NAT)
	DIMENSIONS					P/N

DIMENSIONS: mm		DWN	MATERIAL	FINISH	
TOLERANCES UNLESS OTHERWISE SPECIFIED:		CHK	SEE SHEET 1	SEE SHEET 1	
0 PLC ±	APVD	PRODUCT SPEC	 TE Connectivity		
1 PLC ±		APPLICATION SPEC			
2 PLC ±		WEIGHT	NAME		
3 PLC ±			AMP MINI COMMON TERMINATED (CT) CONNECTOR 1.5 mm PITCH		
4 PLC ±	SINGLE ROW POST HDR ASS'Y (V) SMT TYPE WITH BOSS			RESTRICTED TO	
ANGLES ±	A 4 00779 ©=292232		SCALE	SHEET 4 OF 4 REV A2	
	CUSTOMER DRAWING				

Mouser Electronics

Authorized Distributor

Click to View Pricing, Inventory, Delivery & Lifecycle Information:

[TE Connectivity:](#)

[1-292232-2](#)