

THIS DRAWING IS UNPUBLISHED.

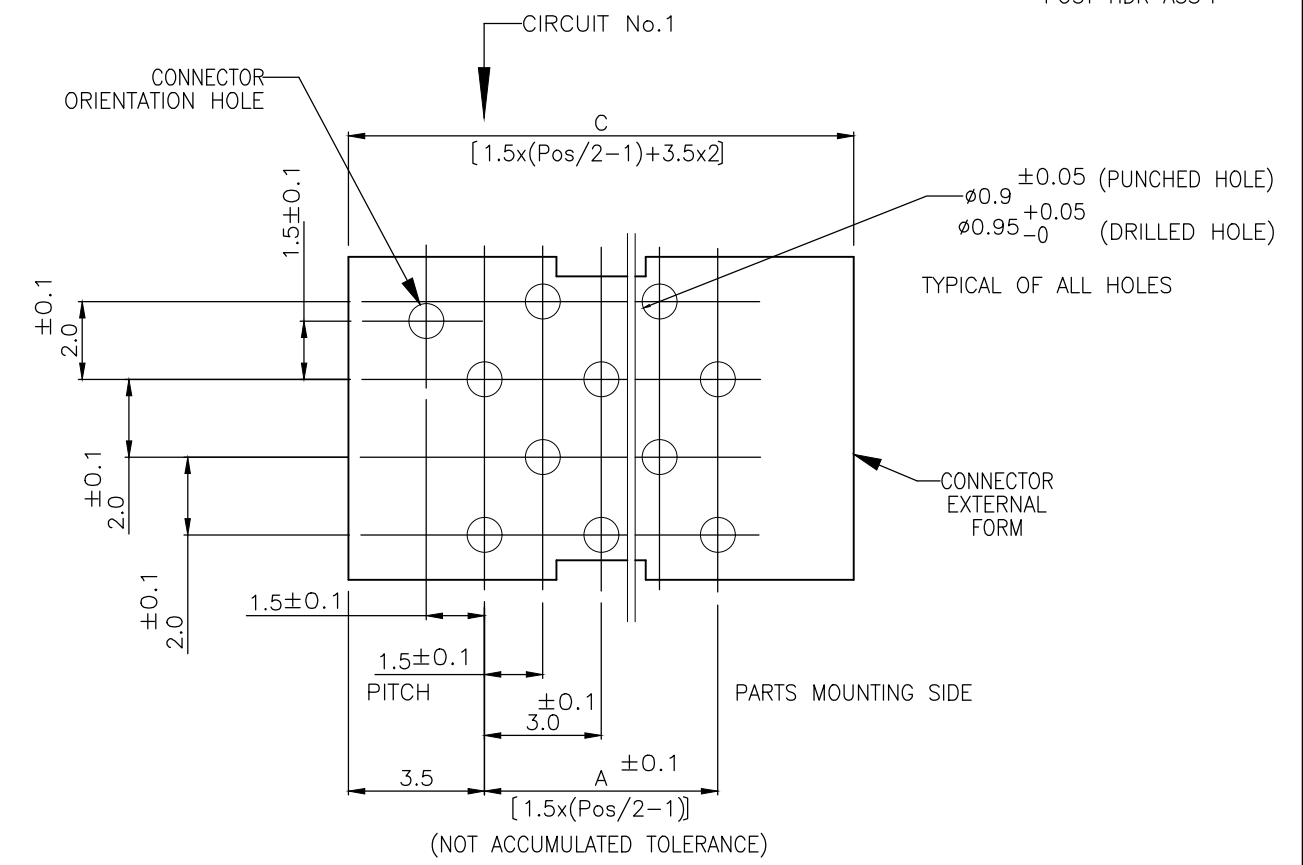
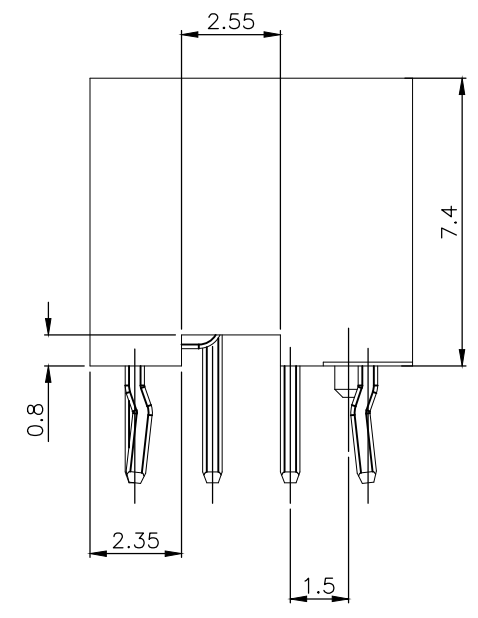
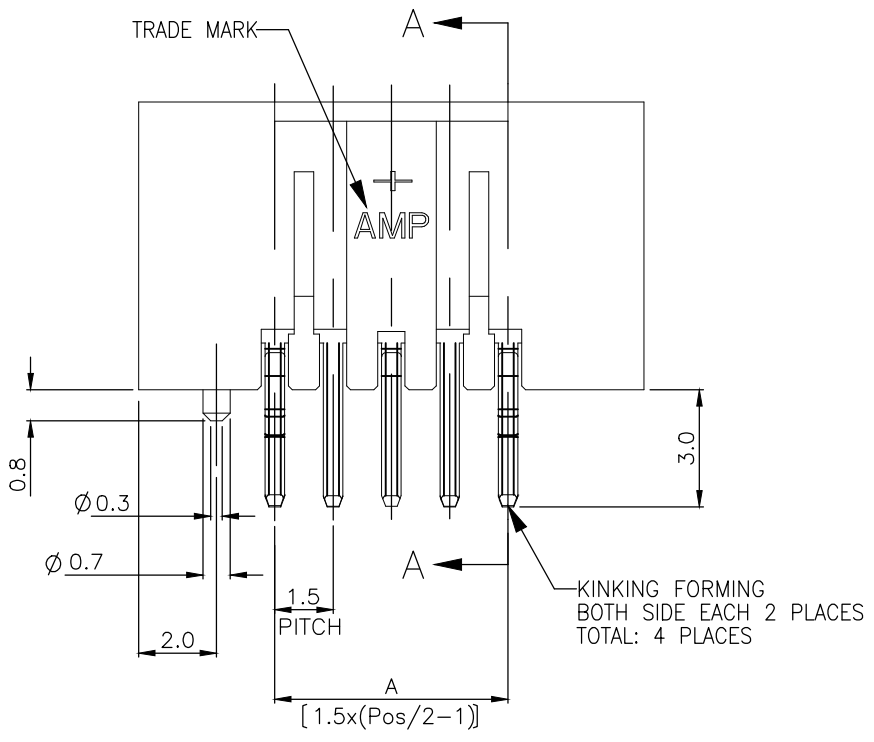
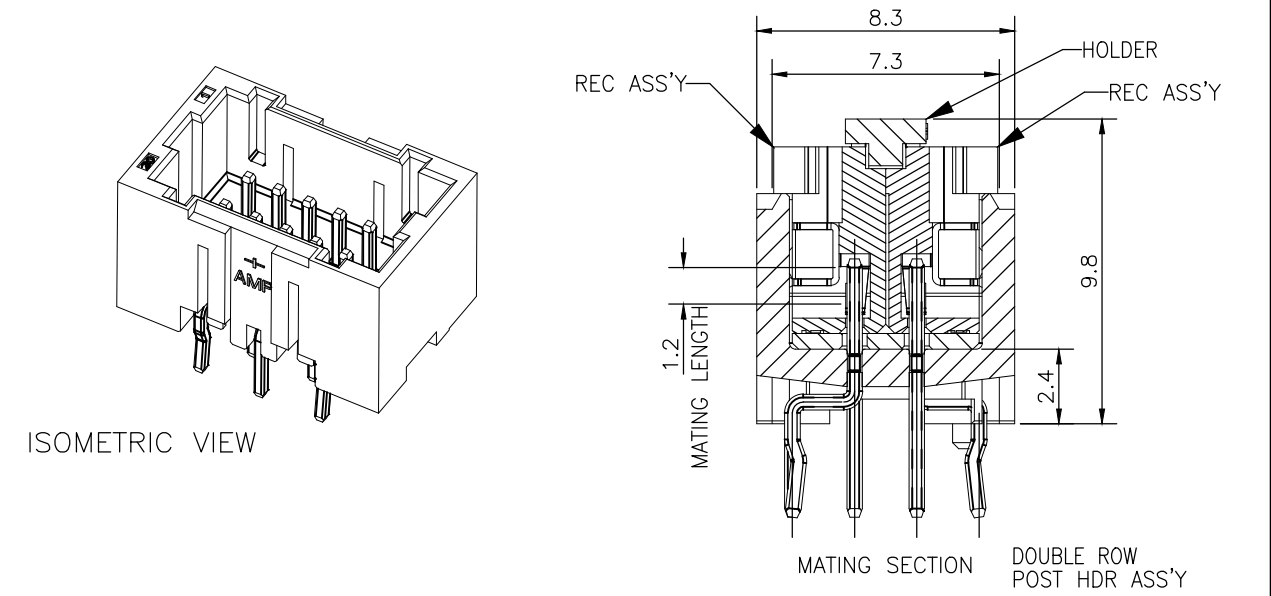
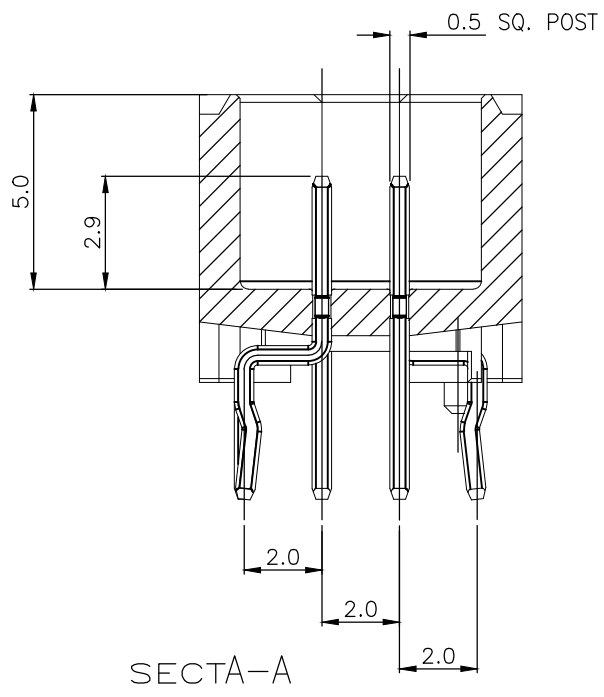
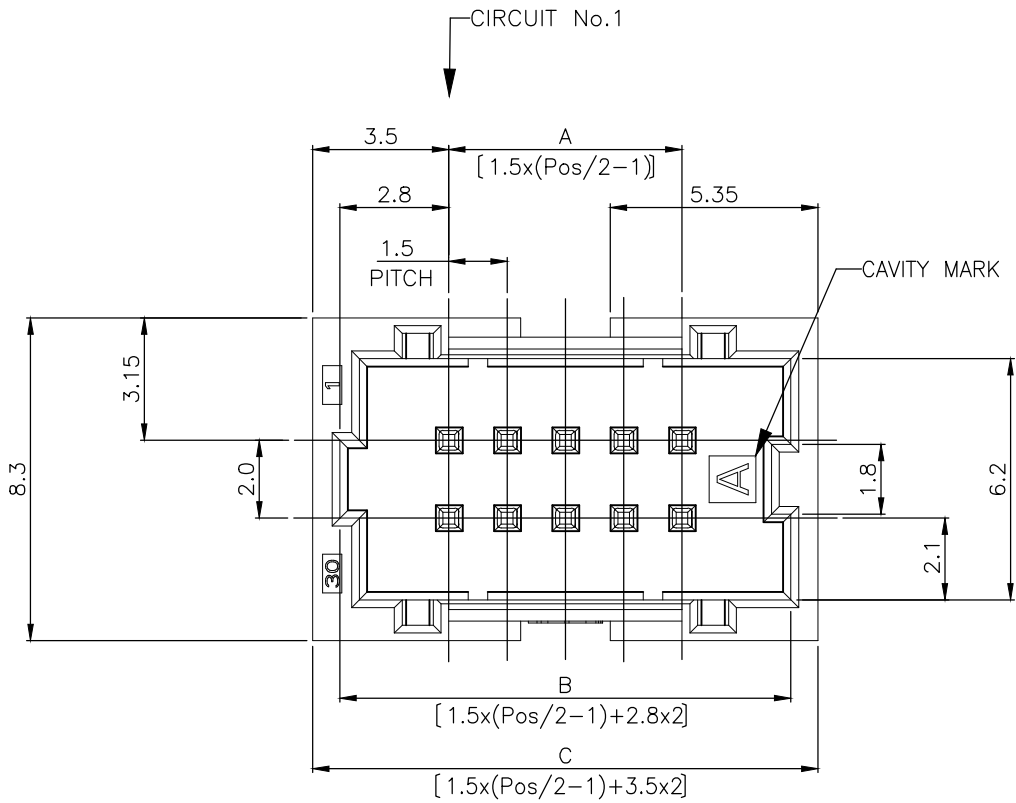
RELEASED FOR PUBLICATION - 04FEB03

© COPYRIGHT - By -

ALL RIGHTS RESERVED.

REVISIONS

P	LTR	DESCRIPTION	DATE	DWN	APVD
R	ECR-18-017107		07NOV18	T.Q	W.H



P.C.B MOUNTING LAYOUT (APPLICABLE P.C.B THK:1.6mm)

TOLERANCES UNLESS OTHERWISE SPECIFIED:

10 ≥ *	: ±0.2
30 ≥ * > 10	: ±0.25
100 ≥ * > 30	: ±0.3
ANGLE	: ±3°

NOTES:

1. MATERIAL:
 HOUSING: NYLON(G.F.) UL94V-0, COLOR: GRAY,BLUE,BLACK
 POST: PRE-TIN 0.5mm SQ. BRASS WIRE

THIS DRAWING IS A CONTROLLED DOCUMENT.

DIMENSIONS:	TOLERANCES UNLESS OTHERWISE SPECIFIED:
mm	
	0 PLC ± -
	1 PLC ± -
	2 PLC ± -
	3 PLC ± -
	4 PLC ± -
ANGLES ± -	
MATERIAL	FINISH
SEE NOTE 1	SEE NOTE 1

DWN	S.YAO	31JAN03
CHK	S.YAO	31JAN03
APVD	T. SASAKI	31JAN03
PRODUCT SPEC	108 - 60018	
APPLICATION SPEC	114 - 5223	
WEIGHT	SEE TABLE	
CUSTOMER DRAWING		

STE TE Connectivity

Mini CT Conn
 Double Row HDR Assy V
 DIP Type with Boss Kink

NAME	SIZE	CAGE CODE	DRAWING NO	RESTRICTED TO
	A3	00779	C-292208	-
SCALE	SHEET	REV		
-	1 of 2	R		

THIS DRAWING IS UNPUBLISHED. RELEASED FOR PUBLICATION - ,04FEB03

© COPYRIGHT - By - ALL RIGHTS RESERVED.

REVISIONS					
P	LTR	DESCRIPTION	DATE	DWN	APVD
	-	SEE SHEET 1	-	-	-

1.67	35.5	34.1	28.5	40	9-292208-0	6-292208-0	4-292208-0
1.60	34.0	32.6	27.0	38	8-292208-8	5-292208-8	3-292208-8
1.53	32.5	31.1	25.5	36	8-292208-6	5-292208-6	3-292208-6
1.46	31.0	29.6	24.0	34	8-292208-4	5-292208-4	3-292208-4
1.38	29.5	28.1	22.5	32	8-292208-2	5-292208-2	3-292208-2
1.31	28.0	26.6	21.0	30	8-292208-0	5-292208-0	3-292208-0
1.24	26.5	25.1	19.5	28	7-292208-8	4-292208-8	2-292208-8
1.17	25.0	23.6	18.0	26	7-292208-6	4-292208-6	2-292208-6
1.10	23.5	22.1	16.5	24	7-292208-4	4-292208-4	2-292208-4
1.03	22.0	20.6	15.0	22	7-292208-2	4-292208-2	2-292208-2
WEIGHT (g)	C	B	A	Pos.	BLUE	BLACK	GRAY
	DIMENSIONS				PART NO		

THIS DRAWING IS A CONTROLLED DOCUMENT.		DWN S.YAO	31JAN03	STE TE Connectivity		
DIMENSIONS: mm		CHK S.YAO	31JAN03			
TOLERANCES UNLESS OTHERWISE SPECIFIED:		APVD T. SASAKI	31JAN03	NAME Mini CT Conn		
0 PLC ± -		PRODUCT SPEC		Double Row HDR Assy V		
1 PLC ± -		108 - 60018		DIP Type with Boss Kink		
2 PLC ± -		APPLICATION SPEC		SIZE	CAGE CODE	DRAWING NO
3 PLC ± -		114 - 5223		A3	00779	C-292208
4 PLC ± -		WEIGHT		RESTRICTED TO		
ANGLES ± -		0.000000		-		
MATERIAL SEE NOTE 1		FINISH SEE NOTE 1		CUSTOMER DRAWING		
				SCALE	SHEET	REV
				-	2 OF 2	R

Mouser Electronics

Authorized Distributor

Click to View Pricing, Inventory, Delivery & Lifecycle Information:

[TE Connectivity:](#)

[3-292208-0](#)