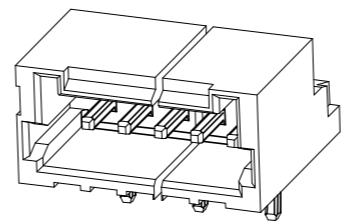
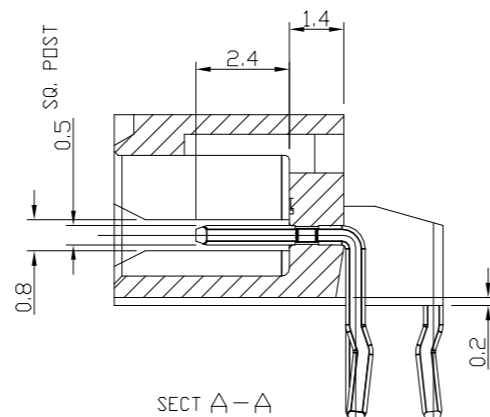
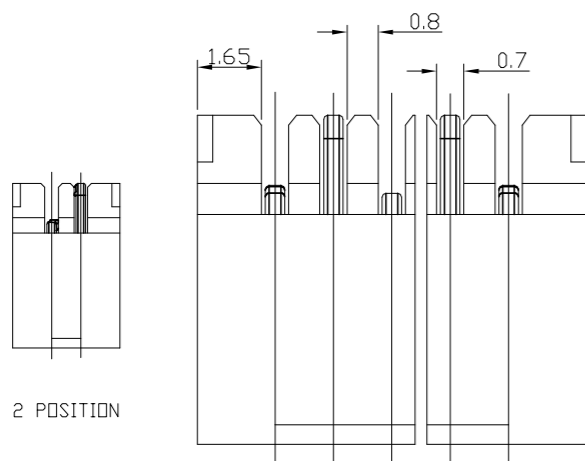
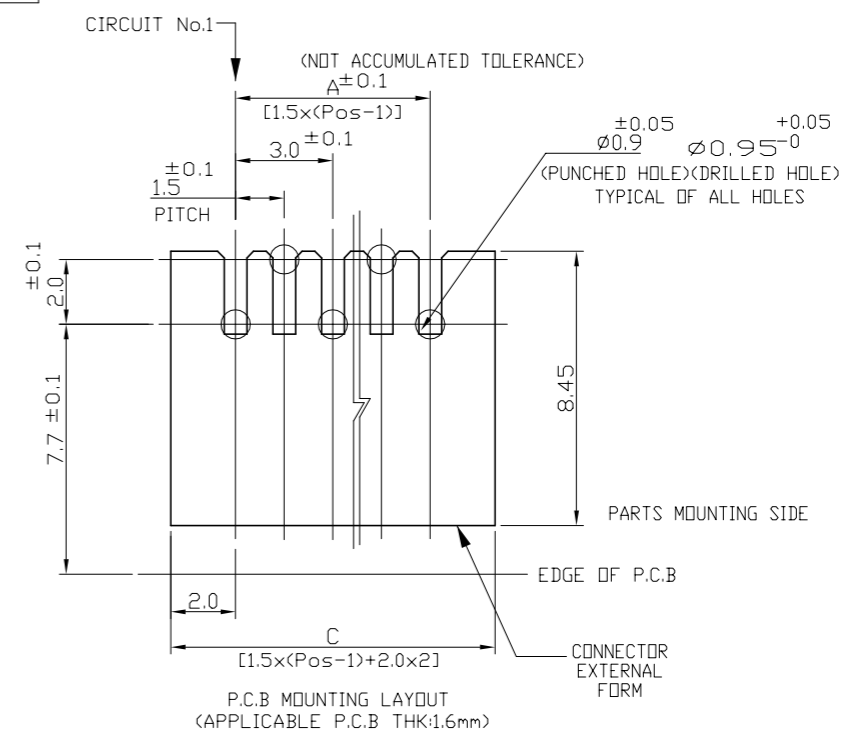
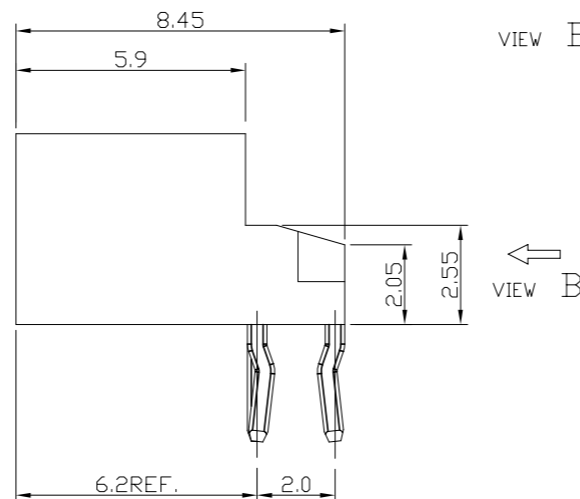
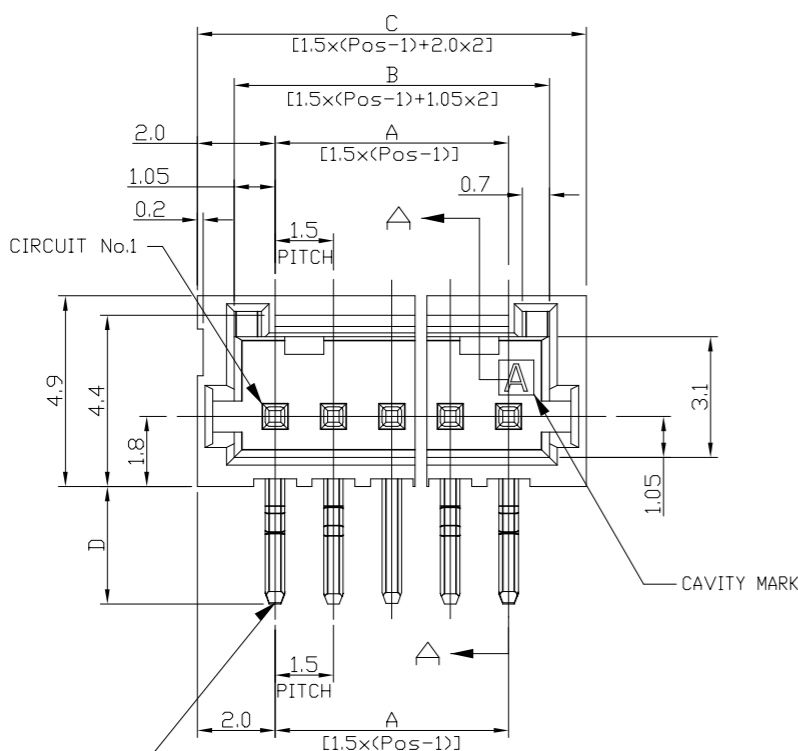
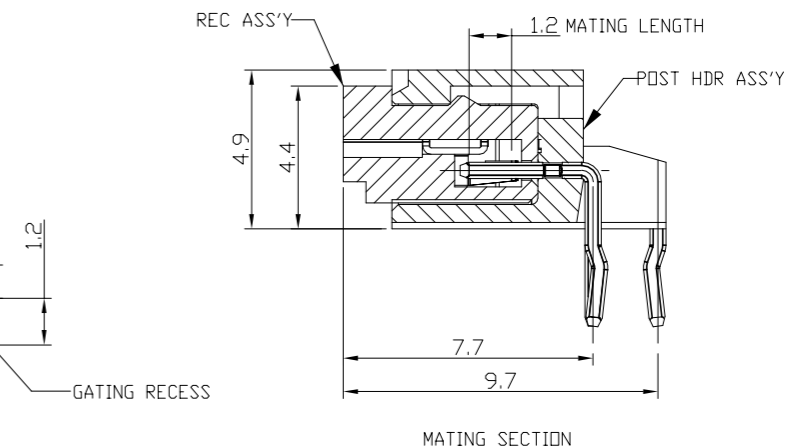
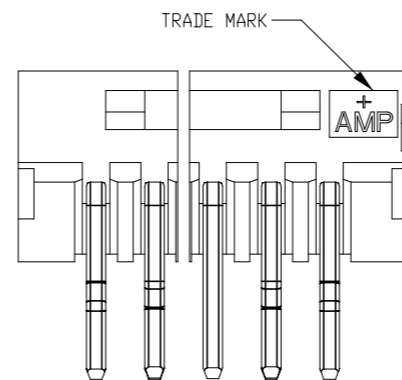


| P | LTR | DESCRIPTION | DATE | DWN | APVD |
|---|-----|---------------|-----------|-----|------|
| | B1 | ECR-20-004164 | 29MAR2020 | T.Q | W.H |



TRADE MARK



KINKING FORMING BOTH SIDE EACH 2 PLACES TOTAL: 4 PLACES

NOTES:

1.MATERIAL:
HOUSING:NYLON(G.F.) UL94V-0,COLOR:GRAY,BLUE
POST:PRE-TIN 0.5mm SQ. BRASS WIRE

TOLERANCES UNLESS OTHERWISE SPECIFIED:

10 > * : ±0.2
30 > * >10 : ±0.25
100 > * >30 : ±0.3
ANGLE : ±3°

THIS DRAWING IS A CONTROLLED DOCUMENT.

| | |
|------------------------|---|
| DIMENSIONS: mm | TOLERANCES UNLESS OTHERWISE SPECIFIED: |
| | 0 PLC ± - 1 PLC ± - 2 PLC ± - 3 PLC ± - 4 PLC ± - ANGLES ± - |
| MATERIAL SEE NOTE 1 | FINISH SEE NOTE 1 |

| | |
|-----------------------------|------------------------------|
| DWN S.YAO 06DEC02 | CHK T.SASAKI 31JAN03 |
| APVD T.SASAKI 31JAN03 | NAME |
| PRODUCT SPEC 108-60018 | APPLICATION SPEC 114-5223 |
| WEIGHT SEE TABLE | CUSTOMER DRAWING |



AMP Mini CT Connector 1.5mm Pitch
Single Row HDR with Kink
DIP Staggered Type

| | | | |
|--------------|--------------------|------------------------|--------------------|
| SIZE A3 | CAGE CODE 00779 | DRAWING NO C=292206 | RESTRICTED TO - |
| SCALE NON | SHEET 1 of 2 | REV B1 | |

REVISIONS

| P | LTR | DESCRIPTION | DATE | DWN | APVD |
|---|-----|-------------|------|-----|------|
| - | | SEE SHEET 1 | - | - | - |

| | | | | | | | | |
|---------------|------------|------|------|------|---------|------------|------------|------------|
| 0.28 | 2.5 | 8.5 | 6.6 | 4.5 | 4 | | | 9-292206-4 |
| 0.23 | 2.5 | 7.0 | 5.1 | 3.0 | 3 | | | 9-292206-3 |
| 1.11 | 3.0 | 32.5 | 30.6 | 28.5 | 20 | 7-292206-0 | 4-292206-0 | 2-292206-0 |
| 1.06 | 3.0 | 31.0 | 29.1 | 27.0 | 19 | 6-292206-9 | 3-292206-9 | 1-292206-9 |
| 1.01 | 3.0 | 29.5 | 27.6 | 25.5 | 18 | 6-292206-8 | 3-292206-8 | 1-292206-8 |
| 0.96 | 3.0 | 28.0 | 26.1 | 24.0 | 17 | 6-292206-7 | 3-292206-7 | 1-292206-7 |
| 0.91 | 3.0 | 26.5 | 24.6 | 22.5 | 16 | 6-292206-6 | 3-292206-6 | 1-292206-6 |
| 0.86 | 3.0 | 25.0 | 23.1 | 21.0 | 15 | 6-292206-5 | 3-292206-5 | 1-292206-5 |
| 0.81 | 3.0 | 23.5 | 21.6 | 19.5 | 14 | 6-292206-4 | 3-292206-4 | 1-292206-4 |
| 0.75 | 3.0 | 22.0 | 20.1 | 18.0 | 13 | 6-292206-3 | 3-292206-3 | 1-292206-3 |
| 0.70 | 3.0 | 20.5 | 18.6 | 16.5 | 12 | 6-292206-2 | 3-292206-2 | 1-292206-2 |
| 0.65 | 3.0 | 19.0 | 17.1 | 15.0 | 11 | 6-292206-1 | 3-292206-1 | 1-292206-1 |
| 0.60 | 3.0 | 17.5 | 15.6 | 13.5 | 10 | 6-292206-0 | 3-292206-0 | 1-292206-0 |
| 0.54 | 3.0 | 16.0 | 14.1 | 12.0 | 9 | 5-292206-9 | 2-292206-9 | 292206-9 |
| 0.49 | 3.0 | 14.5 | 12.6 | 10.5 | 8 | 5-292206-8 | 2-292206-8 | 292206-8 |
| 0.44 | 3.0 | 13.0 | 11.1 | 9.0 | 7 | 5-292206-7 | 2-292206-7 | 292206-7 |
| 0.40 | 3.0 | 11.5 | 9.6 | 7.5 | 6 | 5-292206-6 | 2-292206-6 | 292206-6 |
| 0.34 | 3.0 | 10.0 | 8.1 | 6.0 | 5 | 5-292206-5 | 2-292206-5 | 292206-5 |
| 0.29 | 3.0 | 8.5 | 6.6 | 4.5 | 4 | 5-292206-4 | 2-292206-4 | 292206-4 |
| 0.24 | 3.0 | 7.0 | 5.1 | 3.0 | 3 | 5-292206-3 | 2-292206-3 | 292206-3 |
| 0.19 | 3.0 | 5.5 | 3.6 | 1.5 | 2 | 5-292206-2 | 2-292206-2 | 292206-2 |
| WEIGHT <g> | D | C | B | A | Pos. | BLUE | BLACK | GRAY |
| | DIMENSIONS | | | | PART NO | | | |

| | | | | | |
|--|--|--|---------|-----------------------------------|--|
| THIS DRAWING IS A CONTROLLED DOCUMENT. | | DWN S.YAO | 06DEC02 | STE TE Connectivity | |
| | | CHK T.SASAKI | 31JAN03 | | |
| DIMENSIONS: mm | | TOLERANCES UNLESS OTHERWISE SPECIFIED: | | NAME | |
| | | 0 PLC ± - | | AMP Mini CT Connector 1.5mm Pitch | |
| | | 1 PLC ± - | | Single Row HDR with Kink | |
| | | 2 PLC ± - | | DIP Staggered Type | |
| | | 3 PLC ± - | | SIZE | |
| | | 4 PLC ± - | | CAGE CODE | |
| | | ANGLES ± - | | DRAWING NO | |
| MATERIAL SEE NOTE 1 | | FINISH SEE NOTE 1 | | RESTRICTED TO | |
| | | APVD T. SASAKI | | - | |
| | | PRODUCT SPEC 108-60018 | | SCALE | |
| | | APPLICATION SPEC 114-5223 | | NON | |
| | | WEIGHT SEE TABLE | | SHEET | |
| | | CUSTOMER DRAWING | | 2 OF 2 | |
| | | A3 00779 C-292206 | | REV | |
| | | | | B1 | |

Mouser Electronics

Authorized Distributor

Click to View Pricing, Inventory, Delivery & Lifecycle Information:

[TE Connectivity:](#)

[6-292206-1](#)