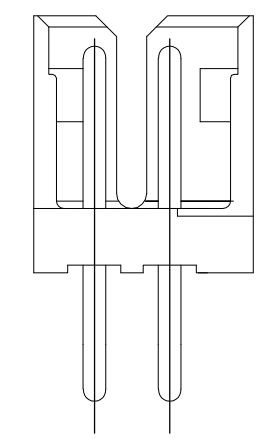
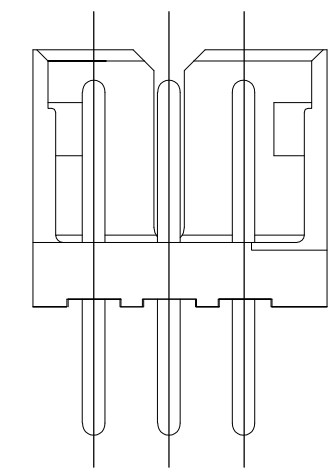
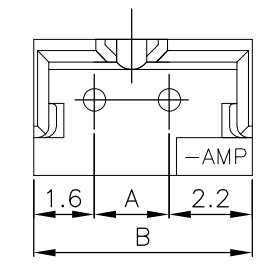
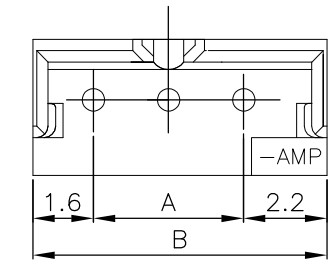
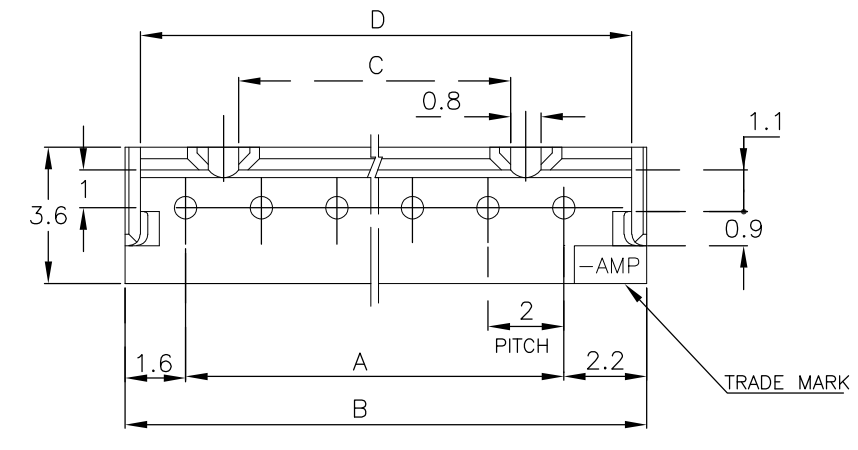


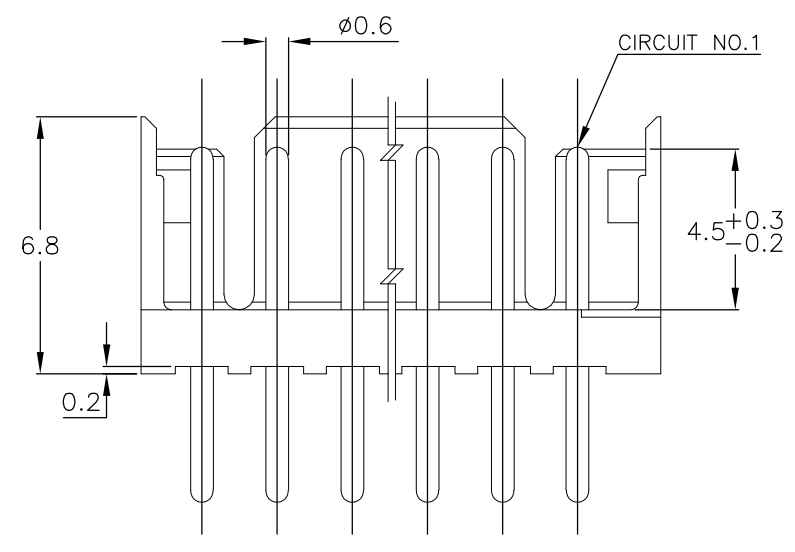
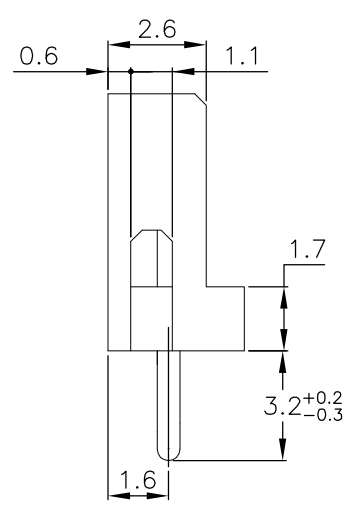
THIS DRAWING IS UNPUBLISHED. RELEASED FOR PUBLICATION
 © COPYRIGHT - By - ALL RIGHTS RESERVED.

REVISIONS				
P	LTR	DESCRIPTION	DATE	APVD
A	RELEASED	ECR-16-004636	15DEC16	T.Q W.H



3 POS.

2 POS.

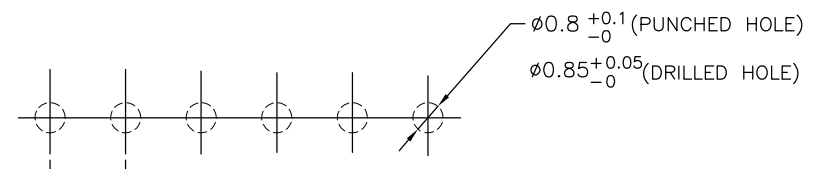


4~15 Pos.

NOTES:

- 1.MATERIAL: HOUSING - NYLON 66 (UL94V-0)
POST - TIN BRASS
- 2.THIS PRODUCT IS "NO-KINK" VERSION OF P/N 292161
- 3.MATING RECEPTACLE P/N 173977
- 4.OBSOLETE RED COLOR PARTS.

									1-292145-5	15	28	31.8	25.2	31.0									
									1-4	14	26	29.8	23.2	29.0									
									1-3	13	24	27.8	21.2	27.0									
									9-292145-2	7-292145-2	5-292145-2	3-292145-2	1-	-2	12	22	25.8	19.2	25.0				
									9-	-1	7-	-1	5-	-1	3-	-1	1-	-1	11	20	23.8	17.2	23.0
									9-	-0	7-	-0	5-	-0	3-	-0	1-	-0	10	18	21.8	15.2	21.0
									8-	-9	6-	-9	4-	-9	2-	-9		-9	9	16	19.8	13.2	19.0
									8-	-8	6-	-8	4-	-8	2-	-8		-8	8	14	17.8	11.2	17.0
									8-	-7	6-	-7	4-	-7	2-	-7		-7	7	12	15.8	9.2	15.0
									8-	-6	6-	-6	4-	-6	2-	-6		-6	6	10	13.8	7.2	13.0
									8-	-5	6-	-5	4-	-5	2-	-5		-5	5	8	11.8	5.2	11.0
									8-	-4	6-	-4	4-	-4	2-	-4		-4	4	6	9.8	3.2	9.0
									8-	-3	6-	-3	4-	-3	2-	-3		-3	3	4	7.8	¼	7.0
									8-292145-2	6-292145-2	4-292145-2	2-292145-2	292145-2	2	2	5.8	¼	5.0					
									RED	BLACK	YELLOW	BLUE	NATURAL										
									PART NO.				Pos.	A	B	C	D						



RECOMMENDABLE PCB LAYOUT
(PCB THK:0.8-1.6)

TOLERANCES UNLESS OTHERWISE SPECIFIED:

10 > *	:	±0.2
30 > * > 10	:	±0.25
100 > * > 30	:	±0.3
ANGLE	:	±3°

THIS DRAWING IS A CONTROLLED DOCUMENT.

DIMENSIONS:	TOLERANCES UNLESS OTHERWISE SPECIFIED:
mm	0 PLC ± -
	1 PLC ± -
	2 PLC ± -
	3 PLC ± -
	4 PLC ± -
	ANGLES ± -
MATERIAL	FINISH
SEE NOTE	SEE NOTE

STE TE Connectivity

POST HEADER ASS'Y (V) NO-KINK TYPE
(AMP CT CONNECTOR 2mm PITCH)

DWN	S.XU	31JAN03
CHK	S.YAO	31JAN03
APVD	T. SASAKI	31JAN03
PRODUCT SPEC	108-60016	
APPLICATION SPEC	-	
WEIGHT	0.000000	A300779
CUSTOMER DRAWING	C=292145	RESTRICTED TO
SCALE	5:1	SHEET 1 OF 1
REV	A	

Mouser Electronics

Authorized Distributor

Click to View Pricing, Inventory, Delivery & Lifecycle Information:

[TE Connectivity:](#)

[292145-3](#)