

THIS DRAWING IS UNPUBLISHED.

RELEASED FOR PUBLICATION

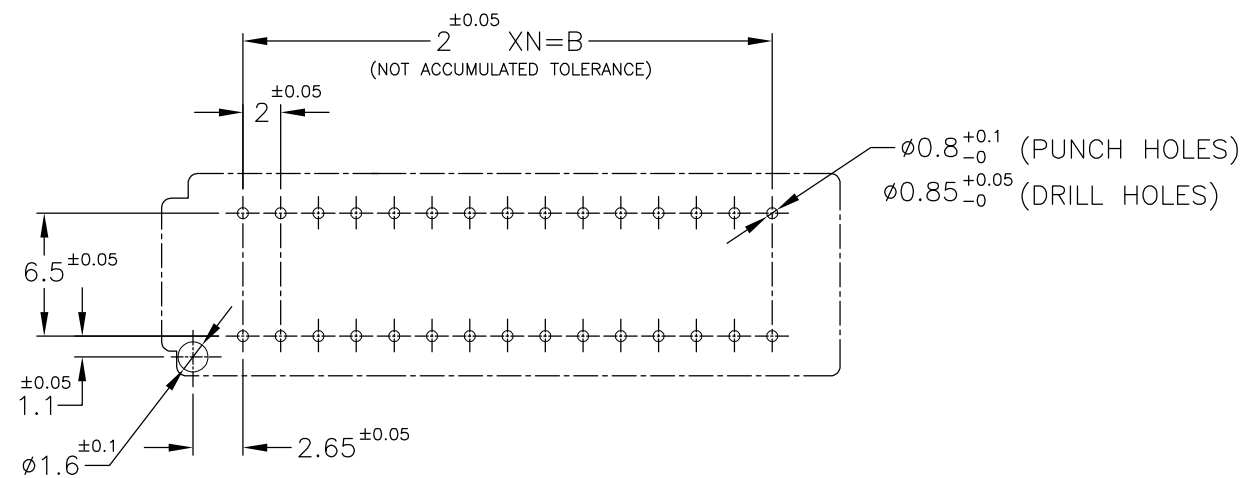
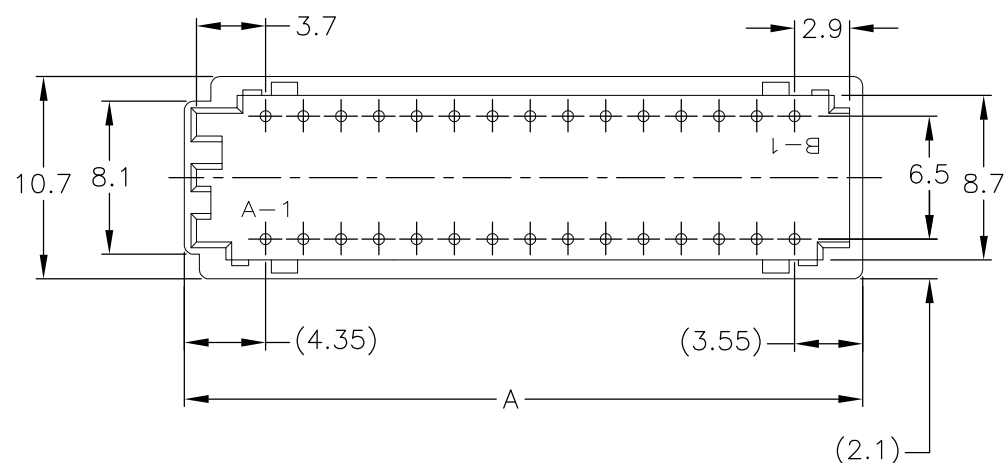
ALL RIGHTS RESERVED.

© COPYRIGHT - By -

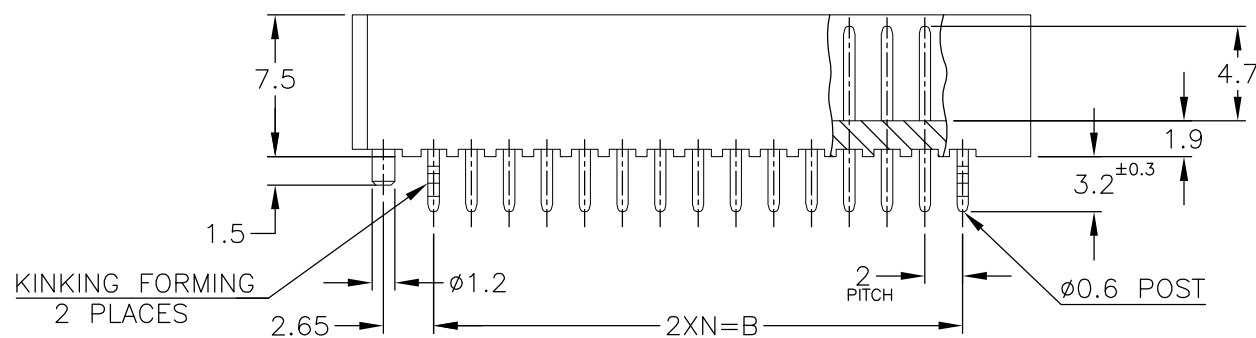
LOC FB DIST 00

REVISIONS

P	LTR	DESCRIPTION	DATE	DWN	APVD
P		REVISED PER ECO-11-005033	28MAR11	RK	HMR



P.C.B MOUNTING DIMENSIONS (CONNECTOR MOUNT SIDE) (P.C.B THK 1.6)



KINKING FORMING 2 PLACES

NOTE

1 MATERIAL : HOUSING/66 NYLON UL94V-0 NATURAL Ø0.6 POST/TIN BRASS 3/4H

TOLERANCES UNLESS OTHERWISE SPECIFIED:

10 > *	: ±0.2
30 > * > 10	: ±0.25
100 > * > 30	: ±0.3
ANGEL	: ±3°

THIS DRAWING IS A CONTROLLED DOCUMENT.

DIMENSIONS: mm	TOLERANCES UNLESS OTHERWISE SPECIFIED:
	0 PLC ± -
	1 PLC ± -
	2 PLC ± -
	3 PLC ± -
	4 PLC ± -
	ANGLES ± -
MATERIAL SEE NOTE	FINISH SEE NOTE

DWN S.XU	31JAN03
CHK S.YAO	31JAN03
APVD T.SASAKI	31JAN03
PRODUCT SPEC	108-60020
APPLICATION SPEC	-
WEIGHT	-

TE Connectivity				
NAME				
POST HEADER (VERTICAL) WITH BOSS CT DOUBLE ROW CONN.				
SIZE	CAGE CODE	DRAWING NO	RESTRICTED TO	
A3	00779	C-292141	-	
CUSTOMER DRAWING			SCALE NTS	SHEET 1 OF 1
			REV P	

35.9	28.0	14	30	3-292141-0
33.9	26.0	13	28	2- -8
31.9	24.0	12	26	2- -6
29.9	22.0	11	24	2- -4
27.9	20.0	10	22	2- -2
25.9	18.0	9	20	2- -0
23.9	16.0	8	18	1- -8
21.9	14.0	7	16	1-292141-6
A	B	N	POS	P/N

Mouser Electronics

Authorized Distributor

Click to View Pricing, Inventory, Delivery & Lifecycle Information:

[TE Connectivity:](#)

[1-292141-8](#)