

THIS DRAWING IS UNPUBLISHED.

RELEASED FOR PUBLICATION

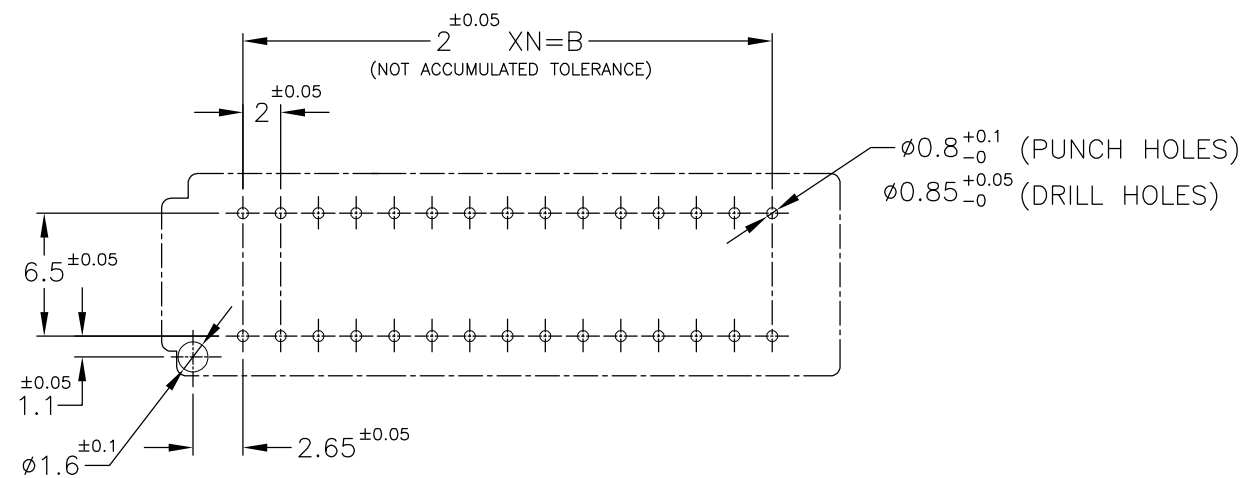
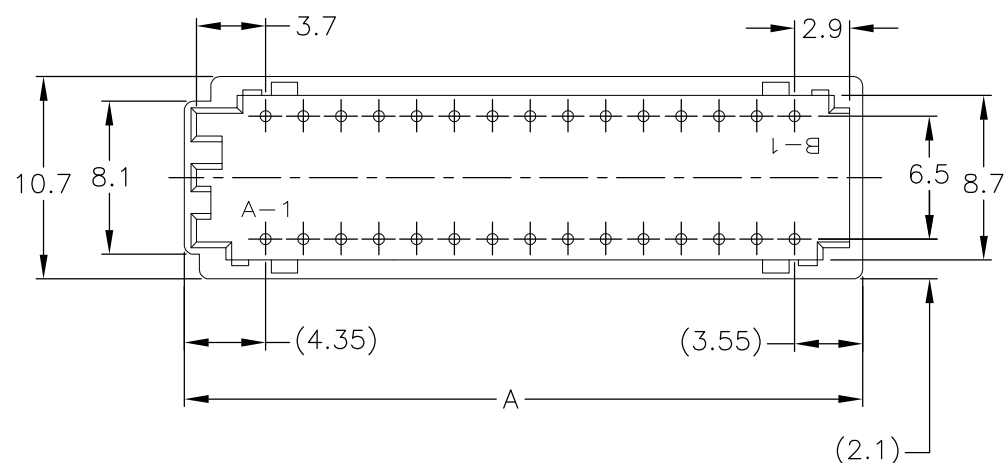
© COPYRIGHT - By -

ALL RIGHTS RESERVED.

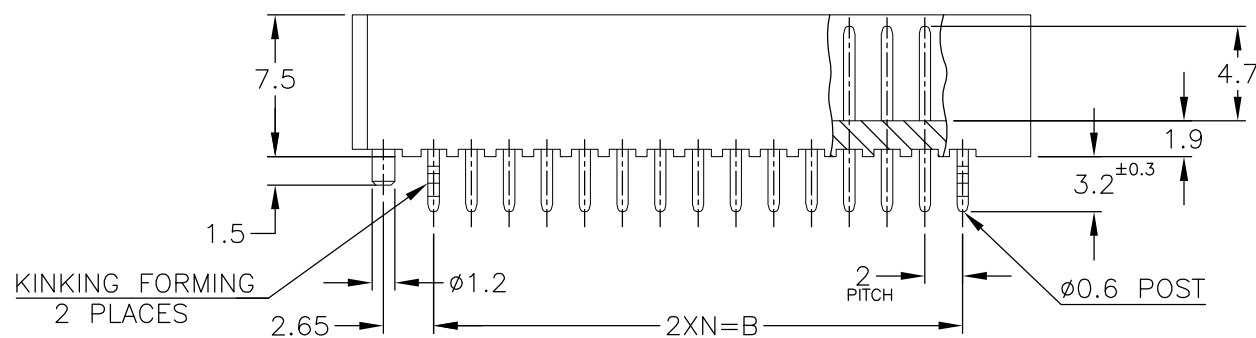
LOC FB DIST 00

REVISIONS

P	LTR	DESCRIPTION	DATE	DWN	APVD
P		REVISED PER ECO-11-005033	28MAR11	RK	HMR



P.C.B MOUNTING DIMENSIONS
(CONNECTOR MOUNT SIDE)
(P.C.B THK 1.6)



KINKING FORMING
2 PLACES

NOTE

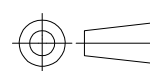
1 MATERIAL : HOUSING/66 NYLON UL94V-0 NATURAL
Ø0.6 POST/TIN BRASS 3/4H

35.9	28.0	14	30	3-292141-0
33.9	26.0	13	28	2- -8
31.9	24.0	12	26	2- -6
29.9	22.0	11	24	2- -4
27.9	20.0	10	22	2- -2
25.9	18.0	9	20	2- -0
23.9	16.0	8	18	1- -8
21.9	14.0	7	16	1-292141-6
A	B	N	POS	P/N

THIS DRAWING IS A CONTROLLED DOCUMENT.

DIMENSIONS:

mm



MATERIAL
SEE NOTE

TOLERANCES UNLESS OTHERWISE SPECIFIED:

0 PLC	± -
1 PLC	± -
2 PLC	± -
3 PLC	± -
4 PLC	± -
ANGLES	± -

FINISH
SEE NOTE

DWN S.XU 31JAN03

CHK S.YAO 31JAN03

APVD T.SASAKI 31JAN03

PRODUCT SPEC

108-60020

APPLICATION SPEC

WEIGHT -

CUSTOMER DRAWING



POST HEADER (VERTICAL) WITH BOSS
CT DOUBLE ROW CONN.

SIZE	CAGE CODE	DRAWING NO	RESTRICTED TO
A3	00779	C-292141	-

TOLERANCES UNLESS OTHERWISE SPECIFIED:

10 ≥ *	: ±0.2
30 ≥ * > 10	: ±0.25
100 ≥ * > 30	: ±0.3
ANGEL	: ±3°

Mouser Electronics

Authorized Distributor

Click to View Pricing, Inventory, Delivery & Lifecycle Information:

[TE Connectivity:](#)

[1-292141-6](#)