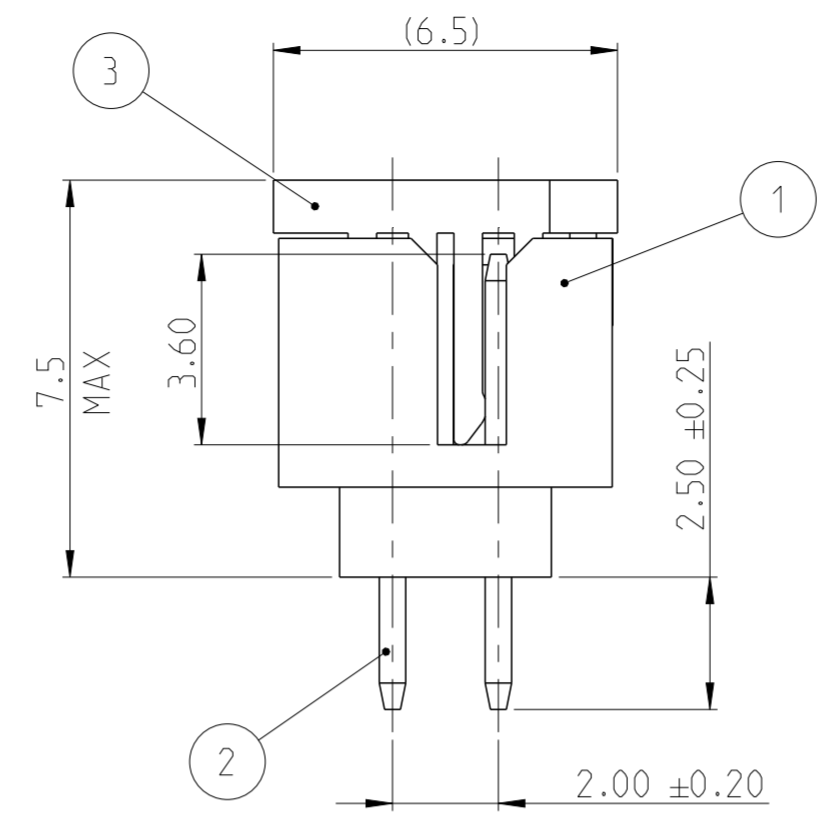
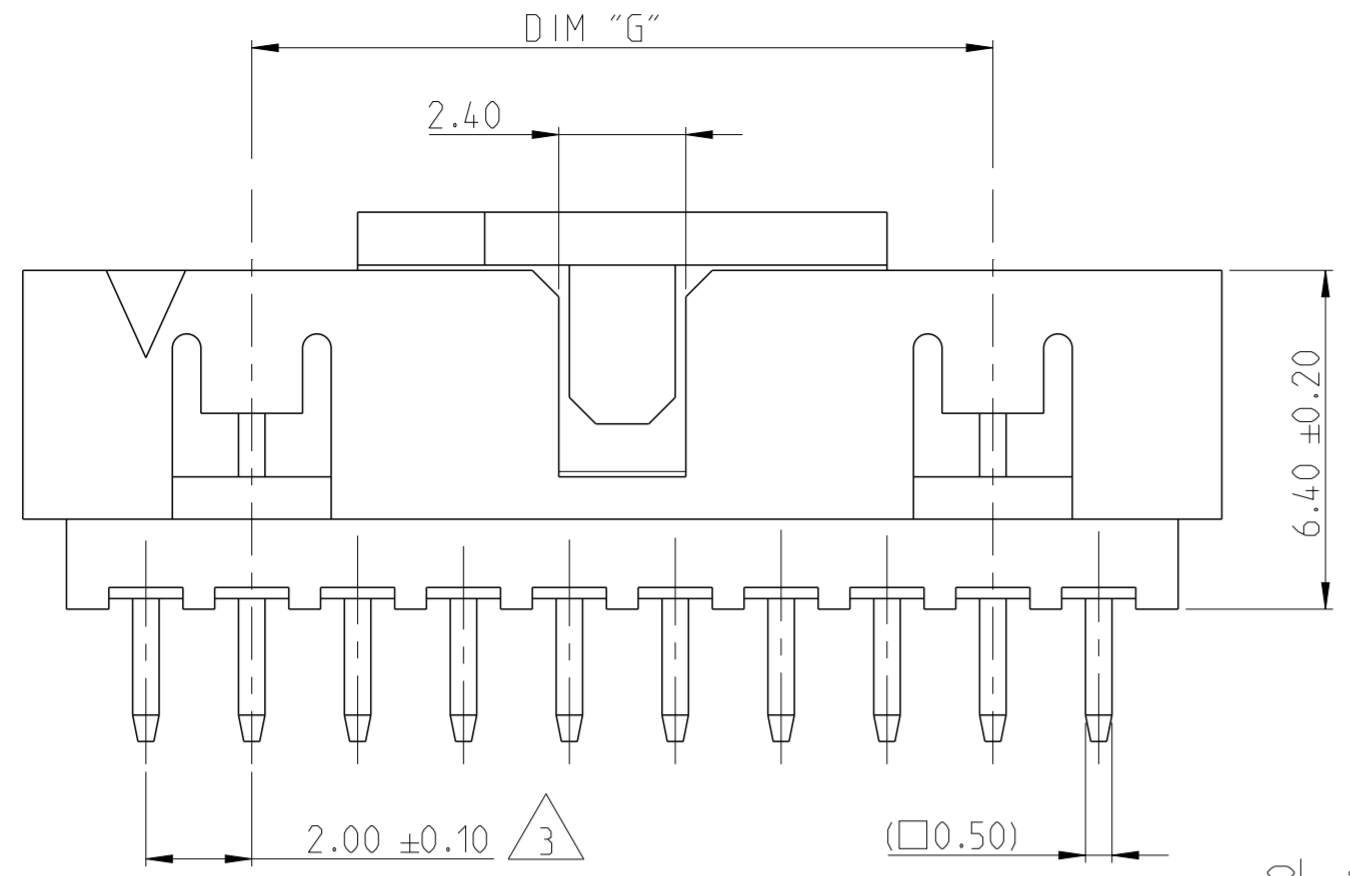
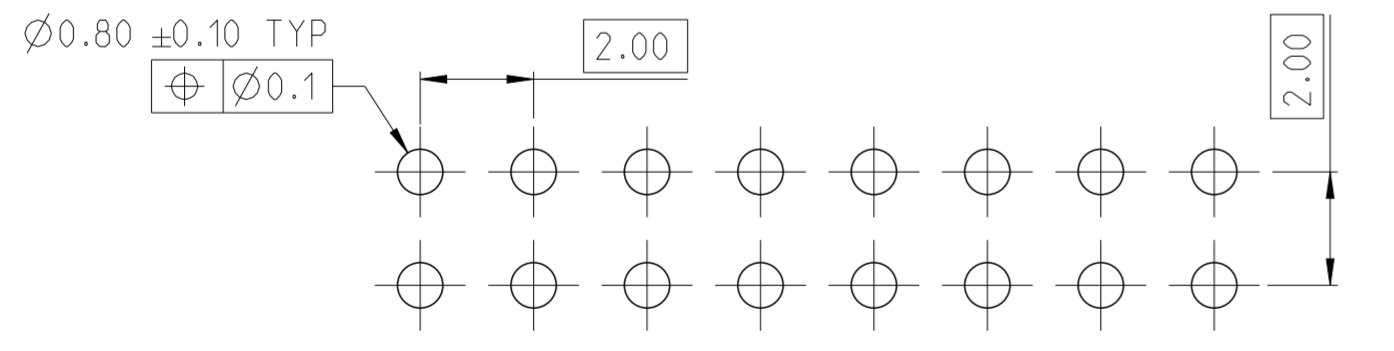
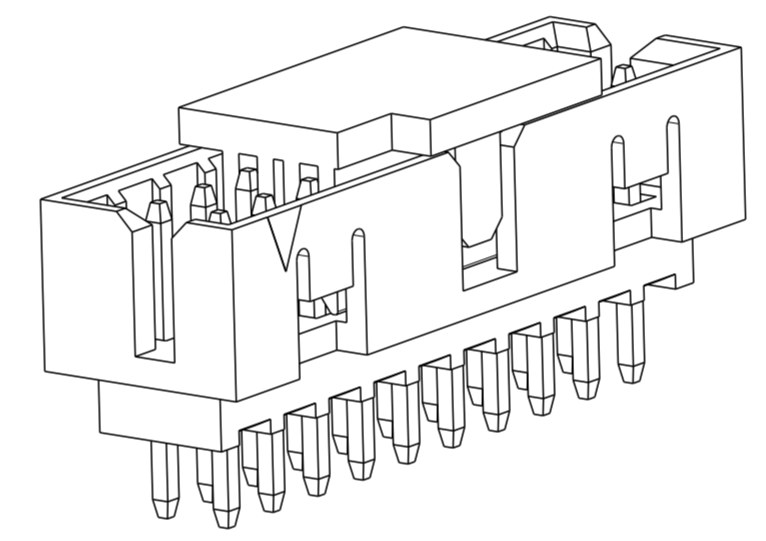
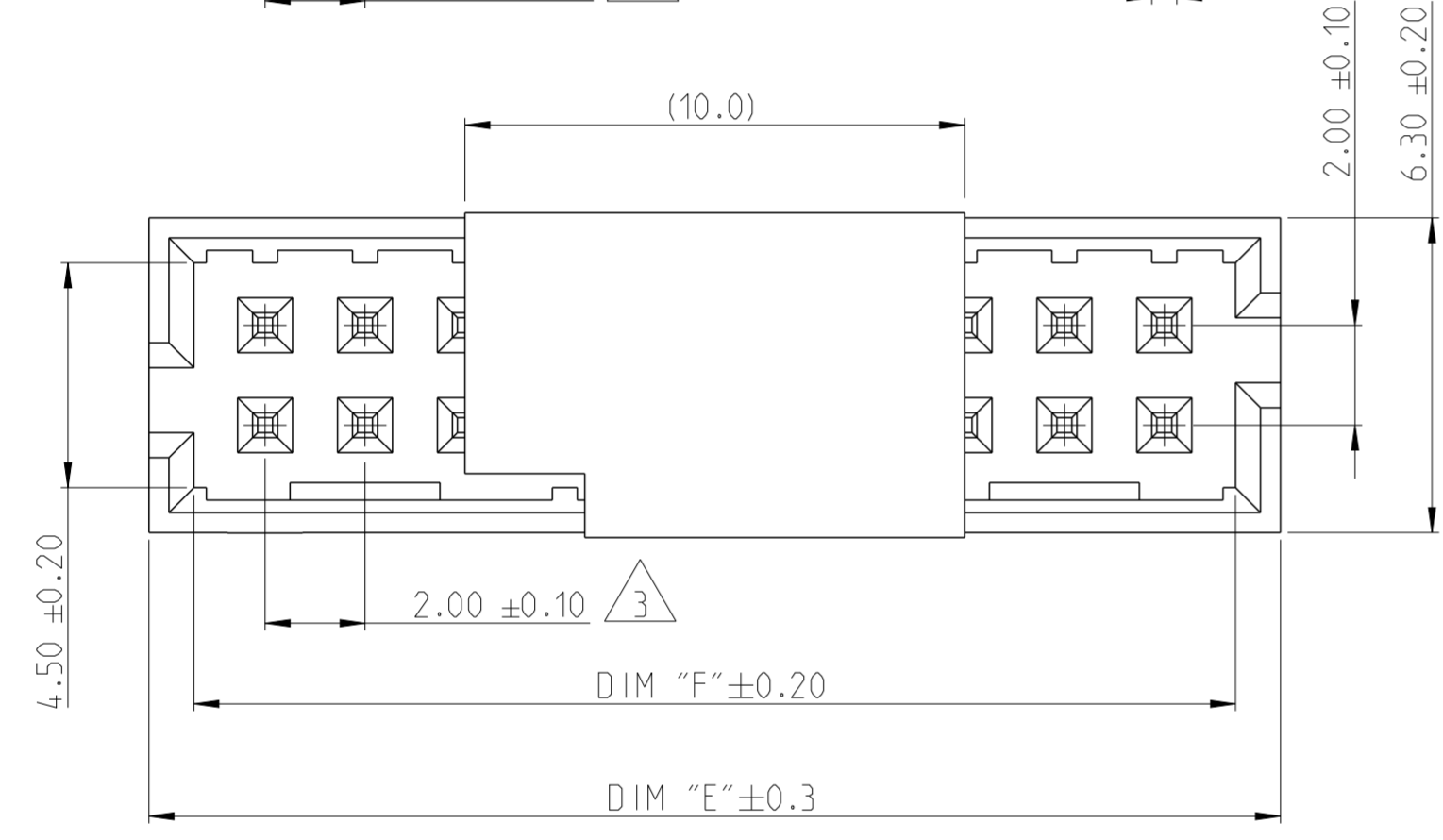


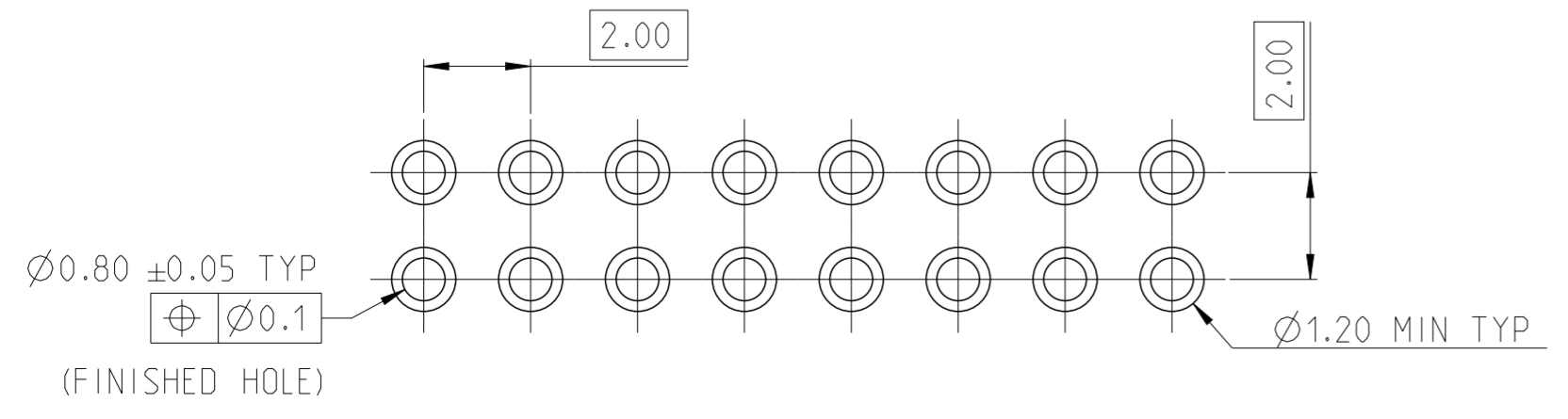
| REVISIONS | | | | |
|-----------|-----|-----------------------|-----------|-------|
| P | LTR | DESCRIPTION | DATE | APVD |
| | A | RELEASE TO PRODUCTION | 09DEC2019 | AY PS |
| | | | | |
| | | | | |



NOTES:
 1. MATERIAL
 HOUSING & P&P CAP : HIGH TEMPERATURE THERMOPLASTIC, UL94-V0; COLOR- BLACK
 POST : COPPER ALLOY
 FINISH :
 MATING SIDE: MIN. 0.76 μm GOLD OVER NICKEL UNDER PLATING.
 SOLDER SIDE: MIN. 2.0 μm TIN OVER NICKEL UNDER PLATING.
 2. PACKAGING: TAPE AND REEL (WITH PICK AND PLACE CAP)
 3. TOLERANCE NOT CUMULATIVE.



RECOMMENDED PCB HOLE PATTERN FOR THROUGH HOLE WAVE



RECOMMENDED PCB HOLE PATTERN FOR THROUGH HOLE REFLOW /PIN-IN-PASTE

2-2842308-0 AS SHOWN

| | | | | |
|---------|---------|---------|------|-------------|
| 44 | 50.85 | 52.65 | 50 | 5-2842308-0 |
| 38 | 44.85 | 46.65 | 44 | 4-2842308-4 |
| 34 | 40.85 | 42.65 | 40 | 4-2842308-0 |
| 28 | 34.85 | 36.65 | 34 | 3-2842308-4 |
| 24 | 30.85 | 32.65 | 30 | 3-2842308-0 |
| 20 | 26.85 | 28.65 | 26 | 2-2842308-6 |
| 18 | 24.85 | 26.65 | 24 | 2-2842308-4 |
| 14 | 20.85 | 22.65 | 20 | 2-2842308-0 |
| 10 | 16.85 | 18.65 | 16 | 1-2842308-6 |
| 8 | 14.85 | 16.65 | 14 | 1-2842308-4 |
| DIM "G" | DIM "F" | DIM "E" | POS. | TE PN. |

| | | | | |
|--|-----------|-----------------------------|--|-----------------|
| THIS DRAWING IS A CONTROLLED DOCUMENT. | | DWN ANKIT YADAV 12NOV2019 | TE Connectivity | |
| DIMENSIONS: mm | | CHK KARTHIK JK 25NOV2019 | | |
| TOLERANCES UNLESS OTHERWISE SPECIFIED: | | APVD PRASHANTH S. 27NOV2019 | NAME AMPMODU 2mm SHROUDED HEADER, DUAL ROW, VERTICAL TH. 0.76 Au, T/R, WITH PICK AND PLACE CAP | |
| 0 PLC ± | 1 PLC ± | PRODUCT SPEC 108-64040 | SIZE A2 | CAGE CODE 00779 |
| 2 PLC ±0.25 | 3 PLC ± | APPLICATION SPEC 114-32259 | DRAWING NO C-2842308 | RESTRICTED TO - |
| 4 PLC ± | ANGLES ±° | WEIGHT - | SCALE 5:1 | SHEET 1 OF 1 |
| MATERIAL SEE NOTES | FINISH - | CUSTOMER DRAWING | REV A | |

| DESCRIPTION | ITEM NO. |
|--------------------|----------|
| PICK AND PLACE CAP | 3 |
| CONTACT PIN | 2 |
| HOUSING | 1 |

Mouser Electronics

Authorized Distributor

Click to View Pricing, Inventory, Delivery & Lifecycle Information:

[TE Connectivity:](#)

[4-2842308-0](#)