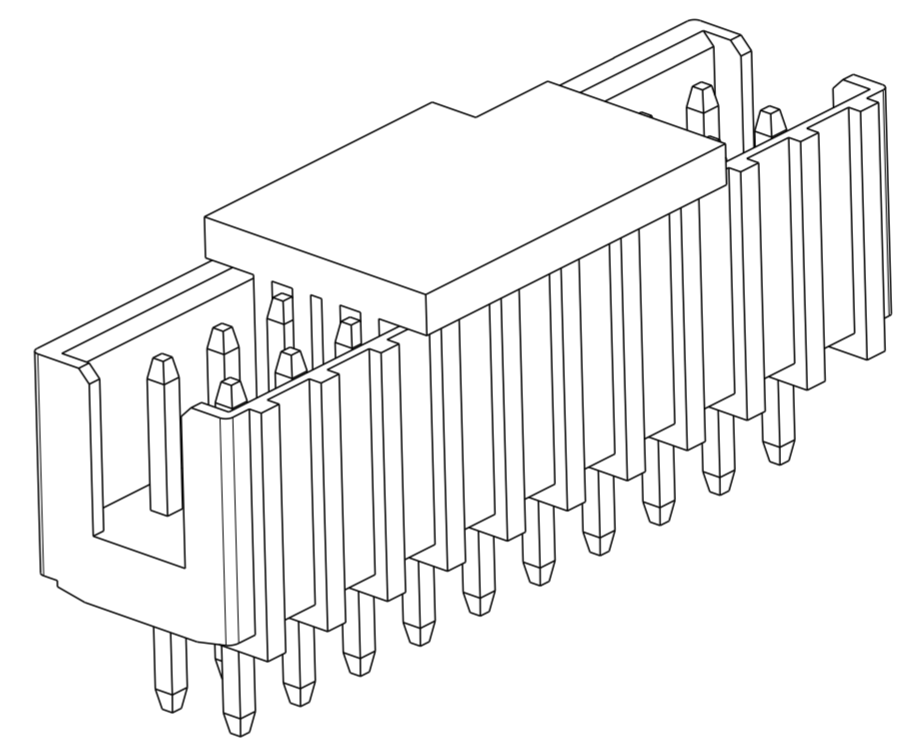
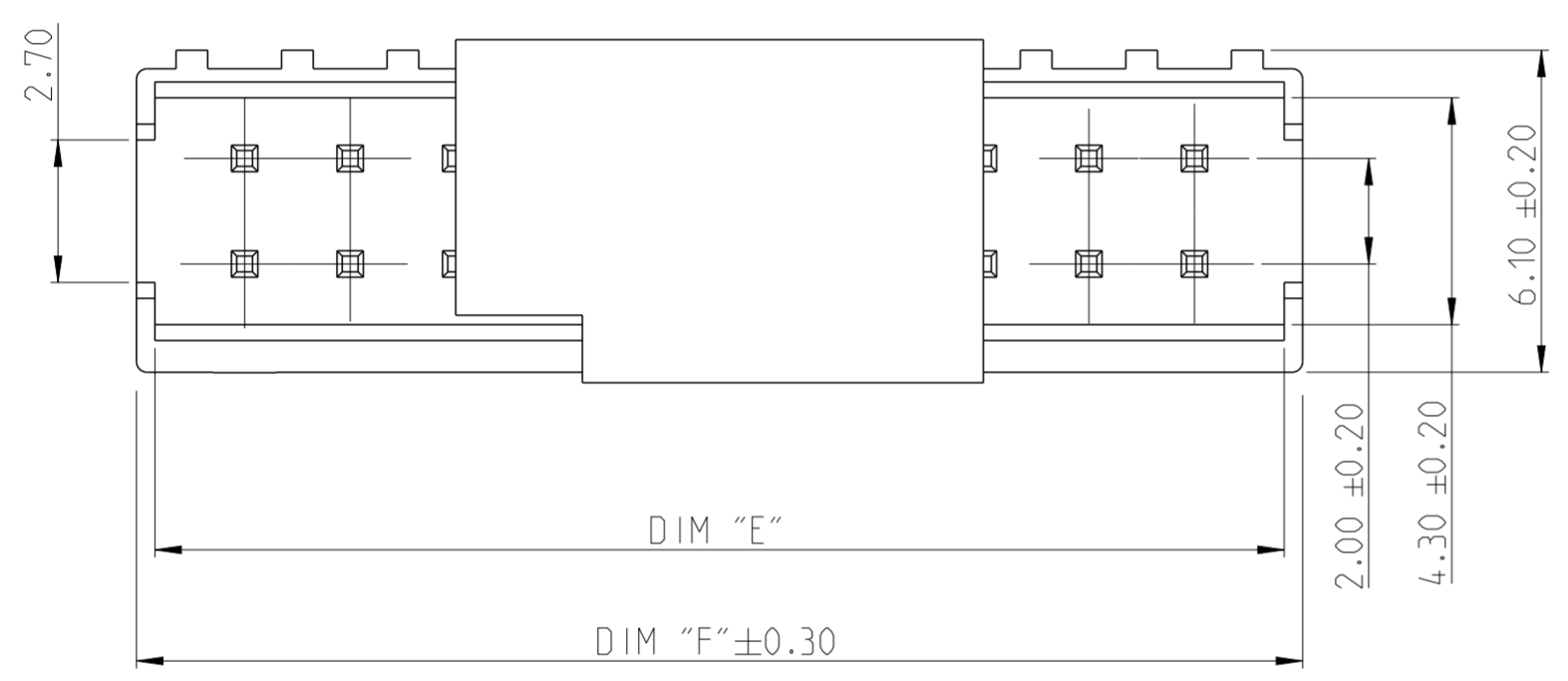
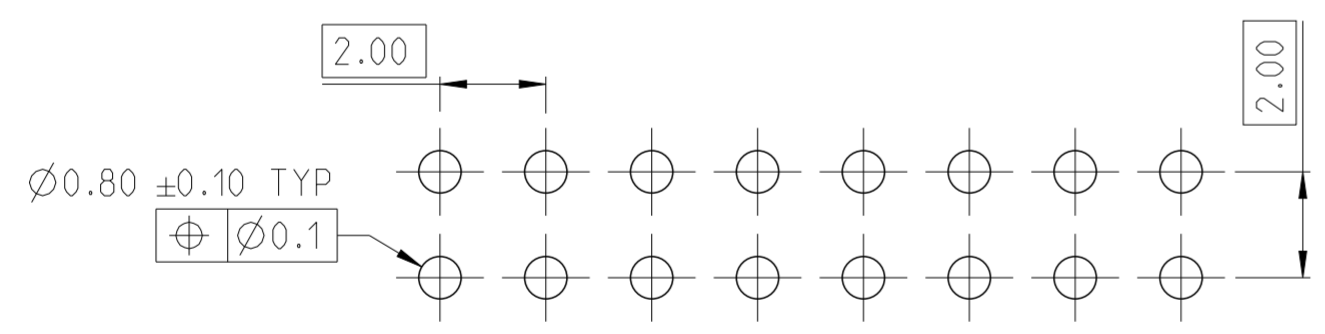


REVISIONS				
P	LTR	DESCRIPTION	DATE	APVD
A		RELEASE TO PRODUCTION	09DEC2019	AY PS
A1		REMOVE POSITION 4, 6 AND 8	04JUN2020	AY PS

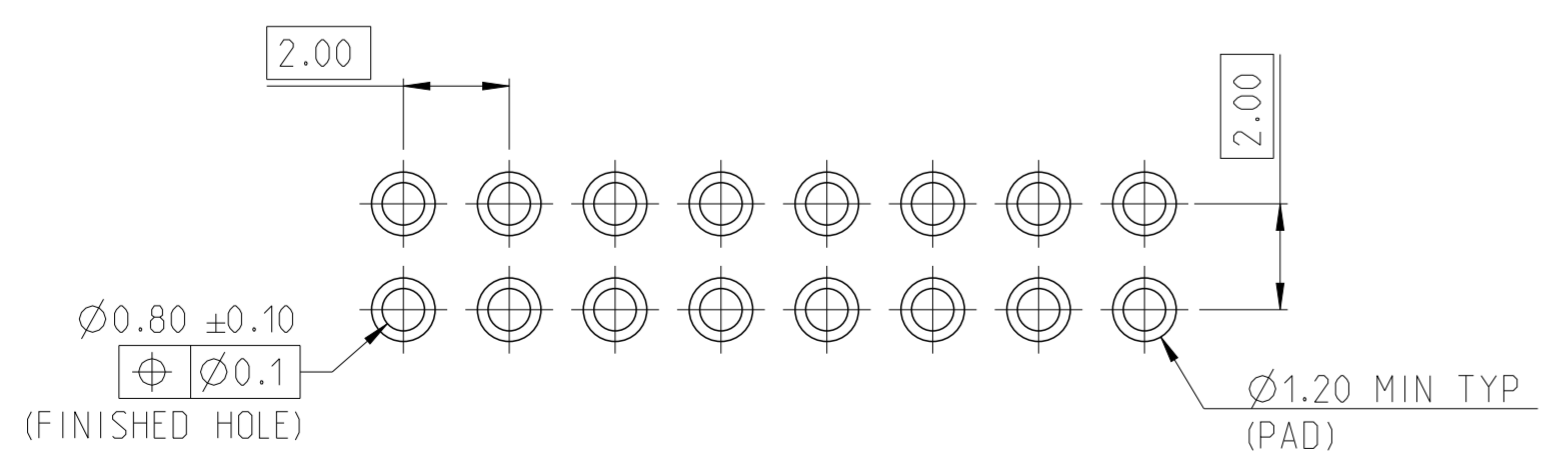
NOTES:
 1. MATERIAL
 HOUSING & P&P CAP : HIGH TEMPERATURE THERMOPLASTIC, UL94-V0; COLOR- BLACK
 POST : COPPER ALLOY
 FINISH :
 MATING SIDE: MIN. 0.76 μm GOLD OVER NICKEL UNDER PLATING.
 SOLDER SIDE: MIN. 2.0 μm TIN OVER NICKEL UNDER PLATING.
 2. PACKAGING: TAPE AND REEL (WITH PICK AND PLACE CAP)
 3. TOLERANCE NOT CUMULATIVE.



52.10	51.40	50	5-2842292-0
50.10	49.40	48	4-2842292-8
48.10	47.40	46	4-2842292-6
46.10	45.40	44	4-2842292-4
44.10	43.40	42	4-2842292-2
42.10	41.40	40	4-2842292-0
40.10	39.40	38	3-2842292-8
38.10	37.40	36	3-2842292-6
36.10	35.40	34	3-2842292-4
34.10	33.40	32	3-2842292-2
32.10	31.40	30	3-2842292-0
30.10	29.40	28	2-2842292-8
28.10	27.40	26	2-2842292-6
26.10	25.40	24	2-2842292-4
24.10	23.40	22	2-2842292-2
22.10	21.40	20	2-2842292-0
20.10	19.40	18	1-2842292-8
18.10	17.40	16	1-2842292-6
16.10	15.40	14	1-2842292-4
14.10	13.40	12	1-2842292-2
12.10	11.40	10	1-2842292-0
DIM "F"	DIM "E"	POS.	TE PN.



RECOMMENDED PCB HOLE PATTERN FOR THROUGH HOLE WAVE



RECOMMENDED PCB HOLE PATTERN FOR THROUGH HOLE REFLOW/PIN-IN-PASTE

2-2842292-0 AS SHOWN

PICK AND PLACE CAP	3
CONTACT PIN	2
HOUSING	1
DESCRIPTION	ITEM NO.

THIS DRAWING IS A CONTROLLED DOCUMENT.		DWN ANKIT YADAV 11NOV2019	TE Connectivity NAME AMPMODU 2mm SHROUDED HEADER DUAL ROW, VERTICAL TH. 0.76 Au, T/R, WITH PICK AND PLACE CAP SIZE A2 CAGE CODE 00779 DRAWING NO C-2842292 RESTRICTED TO - SCALE 5:1 SHEET 1 OF 1 REV A1
DIMENSIONS: mm		CHK KARTHIK JK 25NOV2019	
TOLERANCES UNLESS OTHERWISE SPECIFIED:		APVD PRASHANTH S. 27NOV2019	
0 PLC ± 1 PLC ± 2 PLC ±0.25 3 PLC ± 4 PLC ± ANGLES ±2° FINISH SEE NOTES		PRODUCT SPEC 108-64040 APPLICATION SPEC 114-32259 WEIGHT - CUSTOMER DRAWING	

Mouser Electronics

Authorized Distributor

Click to View Pricing, Inventory, Delivery & Lifecycle Information:

[TE Connectivity:](#)

[1-2842292-6](#)