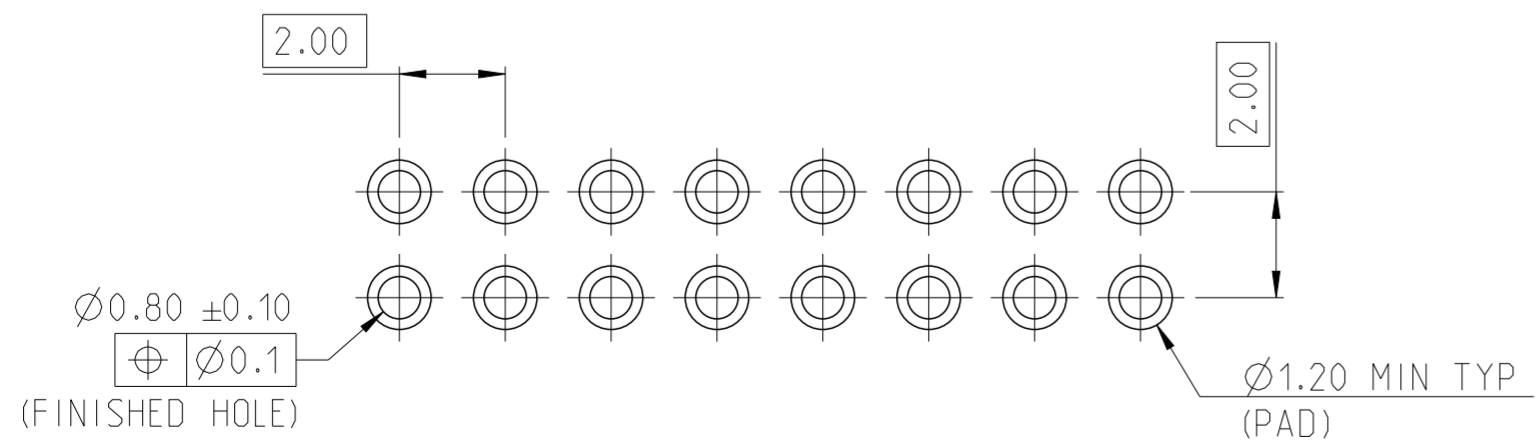
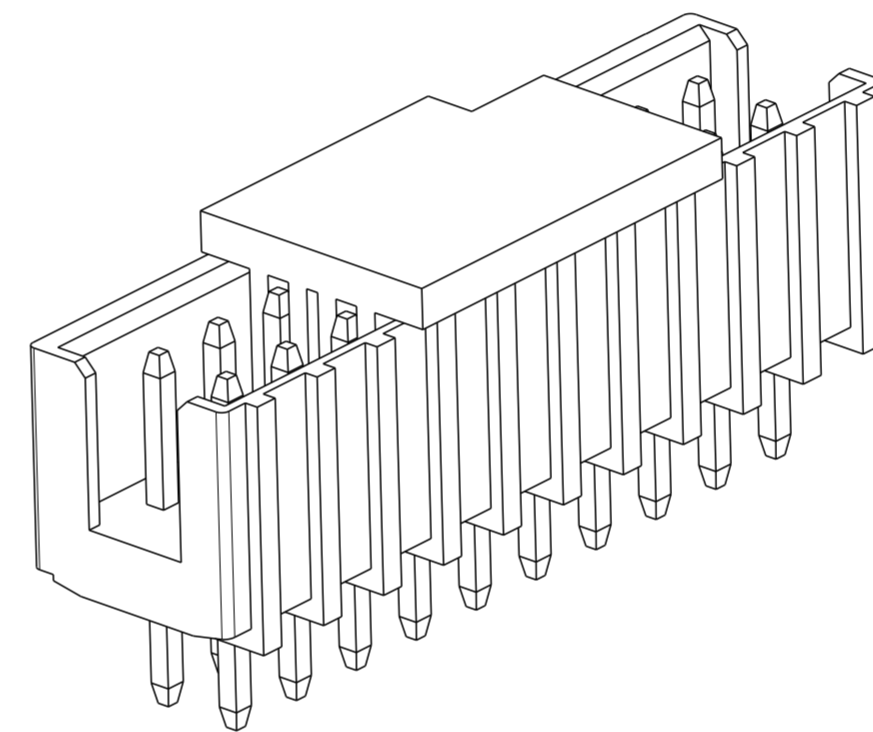


RECOMMENDED PCB HOLE PATTERN FOR THROUGH HOLE WAVE



RECOMMENDED PCB HOLE PATTERN FOR THROUGH HOLE REFLOW /PIN-IN-PASTE



2-2842291-0 AS SHOWN

REVISIONS				
P	LTR	DESCRIPTION	DATE	APVD
A		RELEASE TO PRODUCTION	09DEC2019	AY PS
A1		REMOVE POSITION 4, 6 AND 8	04JUN2020	AY PS

NOTES:

- MATERIAL
HOUSING & P&P CAP : HIGH TEMPERATURE THERMOPLASTIC, UL94-V0; COLOR- BLACK
POST : COPPER ALLOY
FINISH :
MATING SIDE: MIN. 0.38 µm GOLD OVER NICKEL UNDER PLATING.
SOLDER SIDE: MIN. 2.0 µm TIN OVER NICKEL UNDER PLATING.
 - PACKAGING: TAPE AND REEL (WITH PICK AND PLACE CAP)
- △ TOLERANCE NOT CUMULATIVE.

52.10	51.40	50	5-2842291-0
50.10	49.40	48	4-2842291-8
48.10	47.40	46	4-2842291-6
46.10	45.40	44	4-2842291-4
44.10	43.40	42	4-2842291-2
42.10	41.40	40	4-2842291-0
40.10	39.40	38	3-2842291-8
38.10	37.40	36	3-2842291-6
36.10	35.40	34	3-2842291-4
34.10	33.40	32	3-2842291-2
32.10	31.40	30	3-2842291-0
30.10	29.40	28	2-2842291-8
28.10	27.40	26	2-2842291-6
26.10	25.40	24	2-2842291-4
24.10	23.40	22	2-2842291-2
22.10	21.40	20	2-2842291-0
20.10	19.40	18	1-2842291-8
18.10	17.40	16	1-2842291-6
16.10	15.40	14	1-2842291-4
14.10	13.40	12	1-2842291-2
12.10	11.40	10	1-2842291-0
DIM "F"	DIM "E"	POS.	TE PN.

PICK AND PLACE CAP	3
CONTACT PIN	2
HOUSING	1
DESCRIPTION	ITEM NO.

THIS DRAWING IS A CONTROLLED DOCUMENT.

DIMENSIONS: mm	TOLERANCES UNLESS OTHERWISE SPECIFIED:
0 PLC ±	1 PLC ±
2 PLC ±0.25	3 PLC ±
4 PLC ±	ANGLES ±2°
MATERIAL SEE NOTES	FINISH SEE NOTES

DWN ANKIT YADAV 11NOV2019	CHK KARTHIK JK 25NOV2019	APVD PRASHANTH S. 27NOV2019
PRODUCT SPEC	108-64040	APPLICATION SPEC
114-32259	WEIGHT -	CUSTOMER DRAWING

STE TE Connectivity		NAME	
AMPMODU 2mm SHROUDED HEADER DUAL ROW, VERTICAL TH. 0.38 Au, T/R, WITH PICK AND PLACE CAP		SIZE	RESTRICTED TO
A2	CAGE CODE 00779	DRAWING NO C-2842291	-
SCALE 5:1	SHEET 1 OF 1	REV A1	

Mouser Electronics

Authorized Distributor

Click to View Pricing, Inventory, Delivery & Lifecycle Information:

[TE Connectivity:](#)

[1-2842291-0](#)