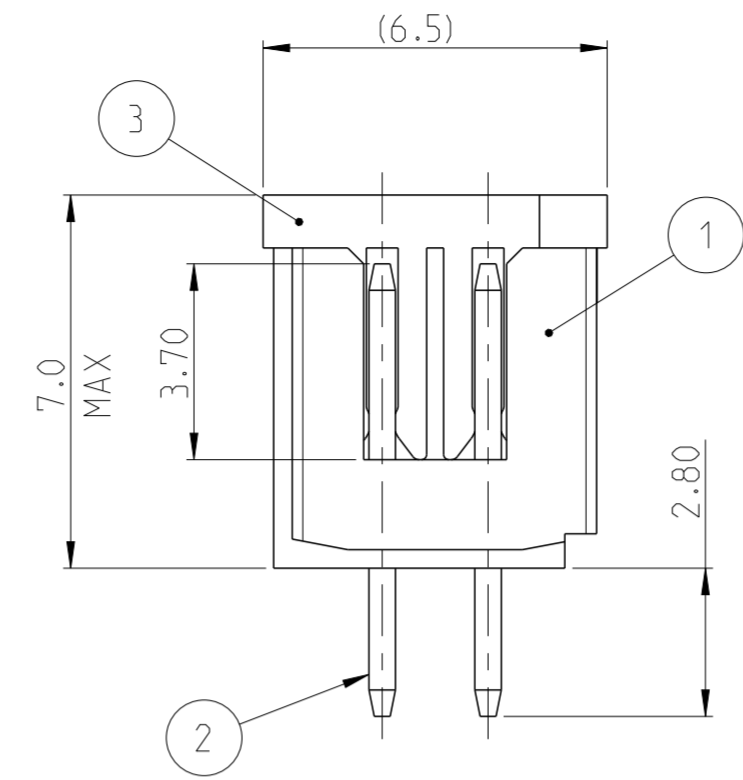
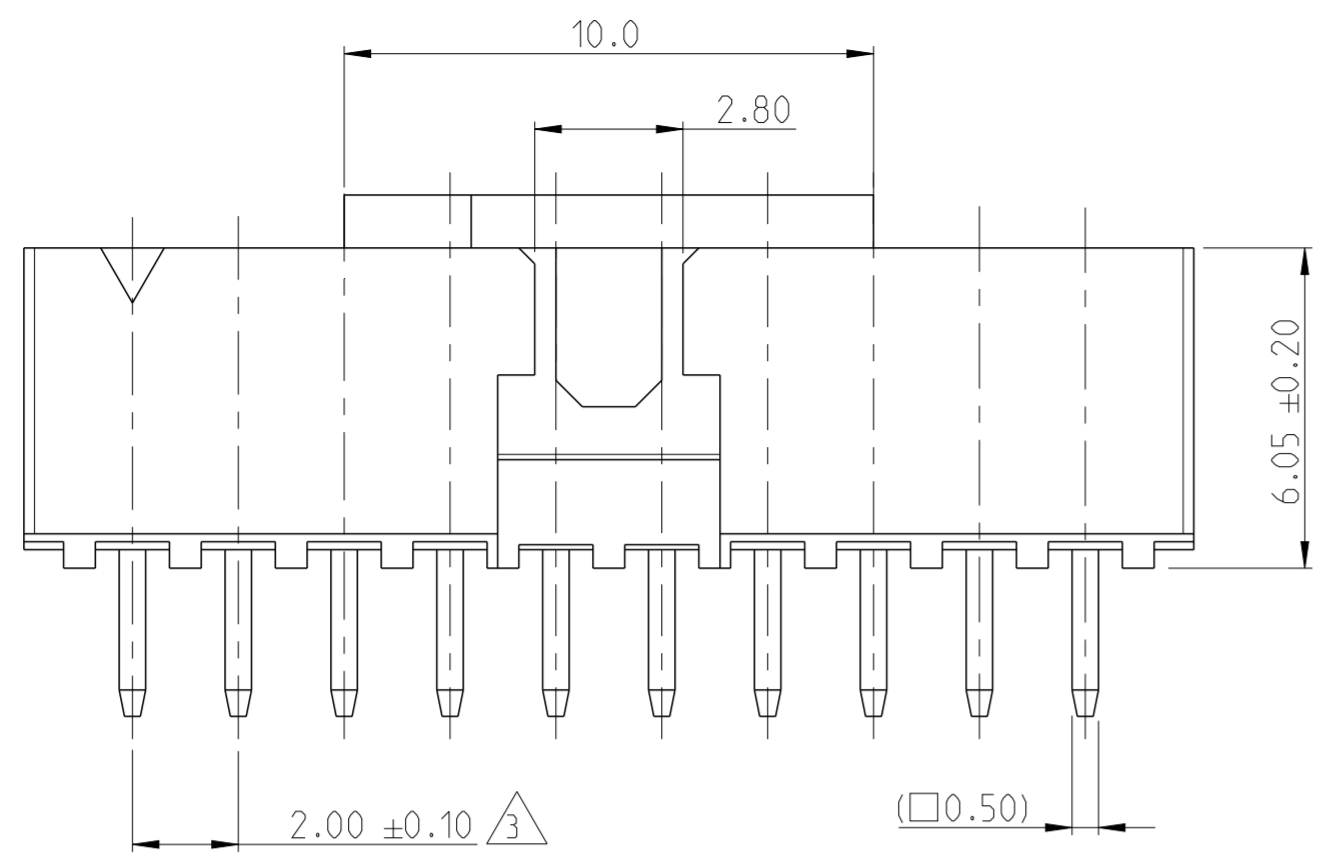
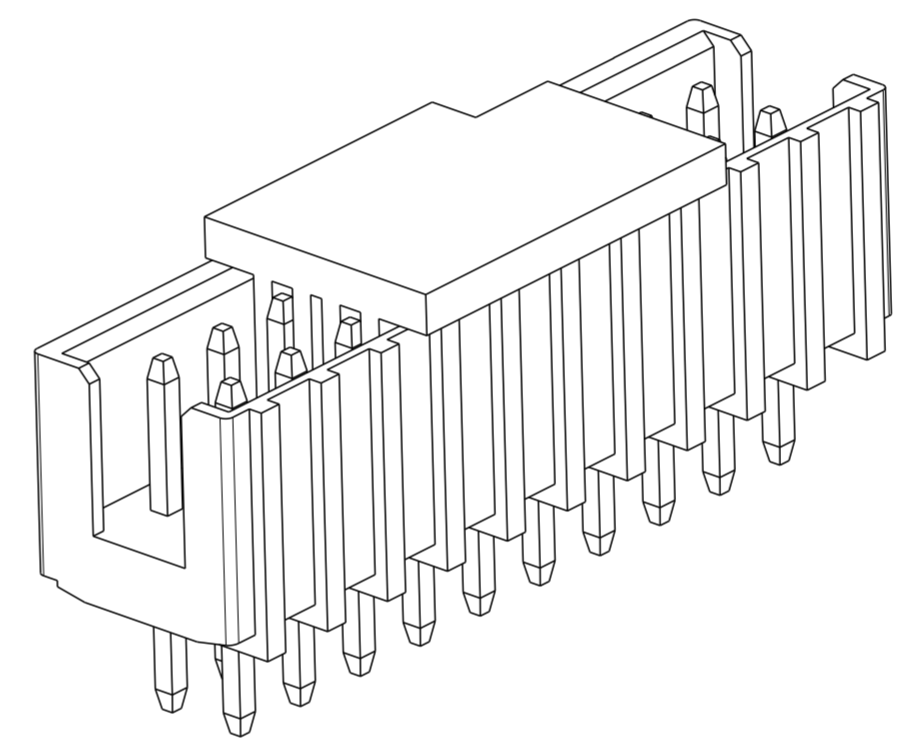
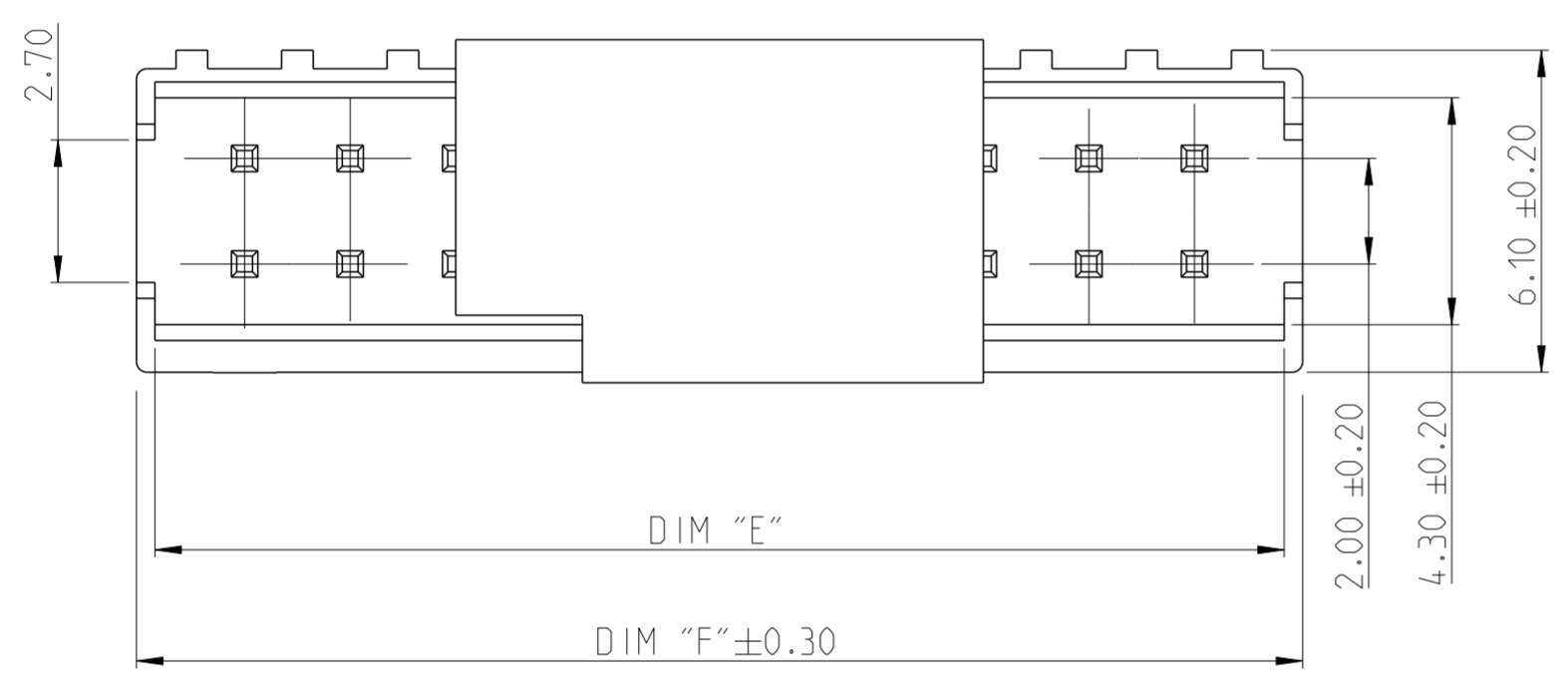


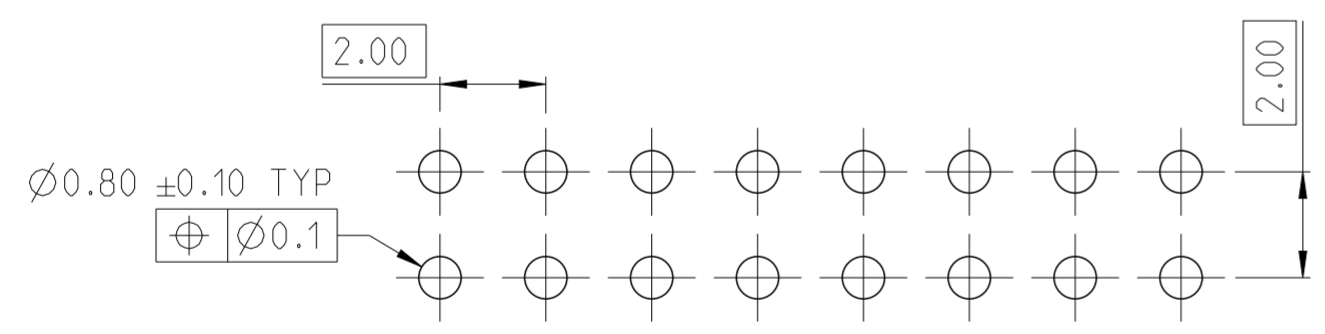
| REVISIONS | | | | |
|-----------|-----|----------------------------|-----------|-------|
| P | LTR | DESCRIPTION | DATE | APVD |
| A | | RELEASE TO PRODUCTION | 09DEC2019 | AY PS |
| A1 | | REMOVE POSITION 4, 6 AND 8 | 04JUN2020 | AY PS |



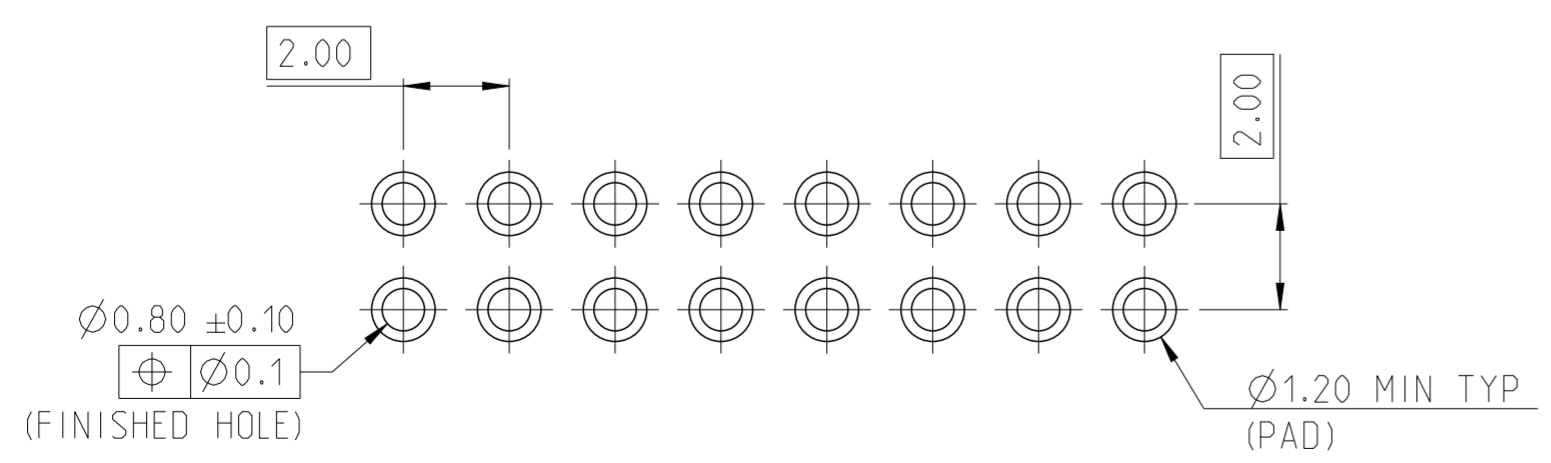
NOTES:
 1. MATERIAL
 HOUSING & P&P CAP : HIGH TEMPERATURE THERMOPLASTIC, UL94-V0; COLOR- BLACK
 POST : COPPER ALLOY
 FINISH : MIN. 2.0 μm TIN OVER NICKEL UNDER PLATING.
 2. PACKAGING: TUBE (WITH PICK AND PLACE CAP)
 3. TOLERANCE NOT CUMULATIVE.



| | | | |
|---------|---------|------|-------------|
| 52.10 | 51.40 | 50 | 5-2842285-0 |
| 50.10 | 49.40 | 48 | 4-2842285-8 |
| 48.10 | 47.40 | 46 | 4-2842285-6 |
| 46.10 | 45.40 | 44 | 4-2842285-4 |
| 44.10 | 43.40 | 42 | 4-2842285-2 |
| 42.10 | 41.40 | 40 | 4-2842285-0 |
| 40.10 | 39.40 | 38 | 3-2842285-8 |
| 38.10 | 37.40 | 36 | 3-2842285-6 |
| 36.10 | 35.40 | 34 | 3-2842285-4 |
| 34.10 | 33.40 | 32 | 3-2842285-2 |
| 32.10 | 31.40 | 30 | 3-2842285-0 |
| 30.10 | 29.40 | 28 | 2-2842285-8 |
| 28.10 | 27.40 | 26 | 2-2842285-6 |
| 26.10 | 25.40 | 24 | 2-2842285-4 |
| 24.10 | 23.40 | 22 | 2-2842285-2 |
| 22.10 | 21.40 | 20 | 2-2842285-0 |
| 20.10 | 19.40 | 18 | 1-2842285-8 |
| 18.10 | 17.40 | 16 | 1-2842285-6 |
| 16.10 | 15.40 | 14 | 1-2842285-4 |
| 14.10 | 13.40 | 12 | 1-2842285-2 |
| 12.10 | 11.40 | 10 | 1-2842285-0 |
| DIM "F" | DIM "E" | POS. | TE PN. |



RECOMMENDED PCB HOLE PATTERN FOR THROUGH HOLE WAVE



RECOMMENDED PCB HOLE PATTERN FOR THROUGH HOLE REFLOW/PIN-IN-PASTE

2-2842285-0 AS SHOWN

| DESCRIPTION | ITEM NO. |
|--------------------|----------|
| PICK AND PLACE CAP | 3 |
| CONTACT PIN | 2 |
| HOUSING | 1 |

| | | | |
|--|--|---|----------------------|
| THIS DRAWING IS A CONTROLLED DOCUMENT. | | DWN ANKIT YADAV 11NOV2019 | TE Connectivity |
| | | CHK KARTHIK JK 25NOV2019 | |
| | | APVD PRASHANTH S. 27NOV2019 | |
| | | NAME AMPMODU 2mm SHROUDED HEADER DUAL ROW, VERTICAL TH. SN. TUBE, WITH PICK AND PLACE CAP | |
| DIMENSIONS: mm | TOLERANCES UNLESS OTHERWISE SPECIFIED: | PRODUCT SPEC 108-64040 | SIZE A2 |
| | 0 PLC ± | APPLICATION SPEC 114-32259 | CAGE CODE 00779 |
| | 1 PLC ± | WEIGHT - | DRAWING NO C-2842285 |
| | 2 PLC ±0.25 | | RESTRICTED TO - |
| | 3 PLC ± | | SCALE 5:1 |
| | 4 PLC ± | | SHEET 1 OF 1 |
| | ANGLES ±2° | | REV A1 |
| MATERIAL SEE NOTES | FINISH SEE NOTES | CUSTOMER DRAWING | |

Mouser Electronics

Authorized Distributor

Click to View Pricing, Inventory, Delivery & Lifecycle Information:

[TE Connectivity:](#)

[4-2842285-8](#)