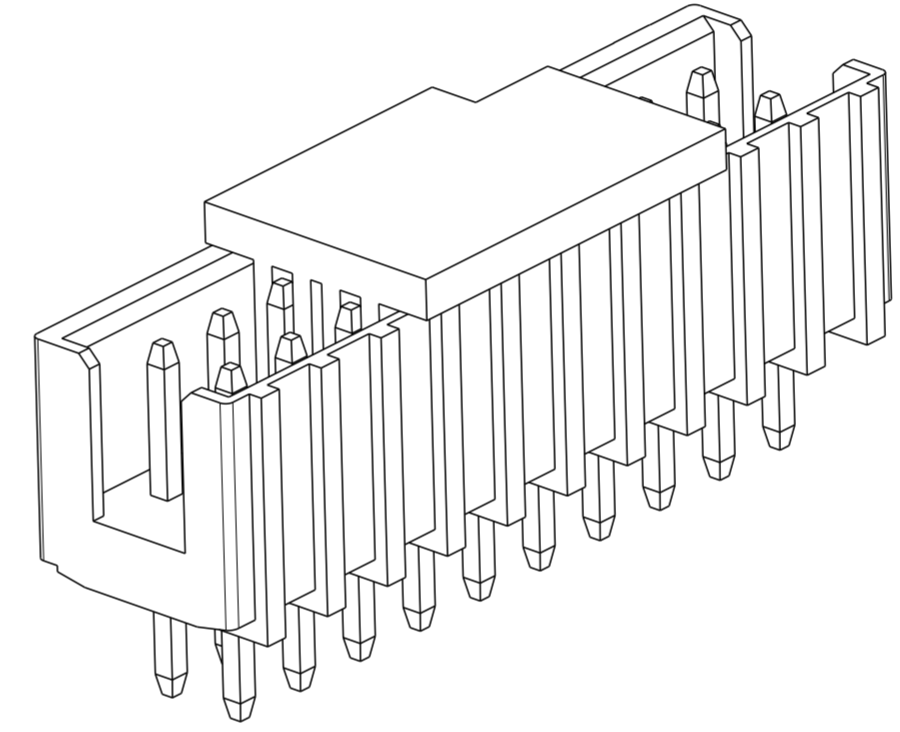
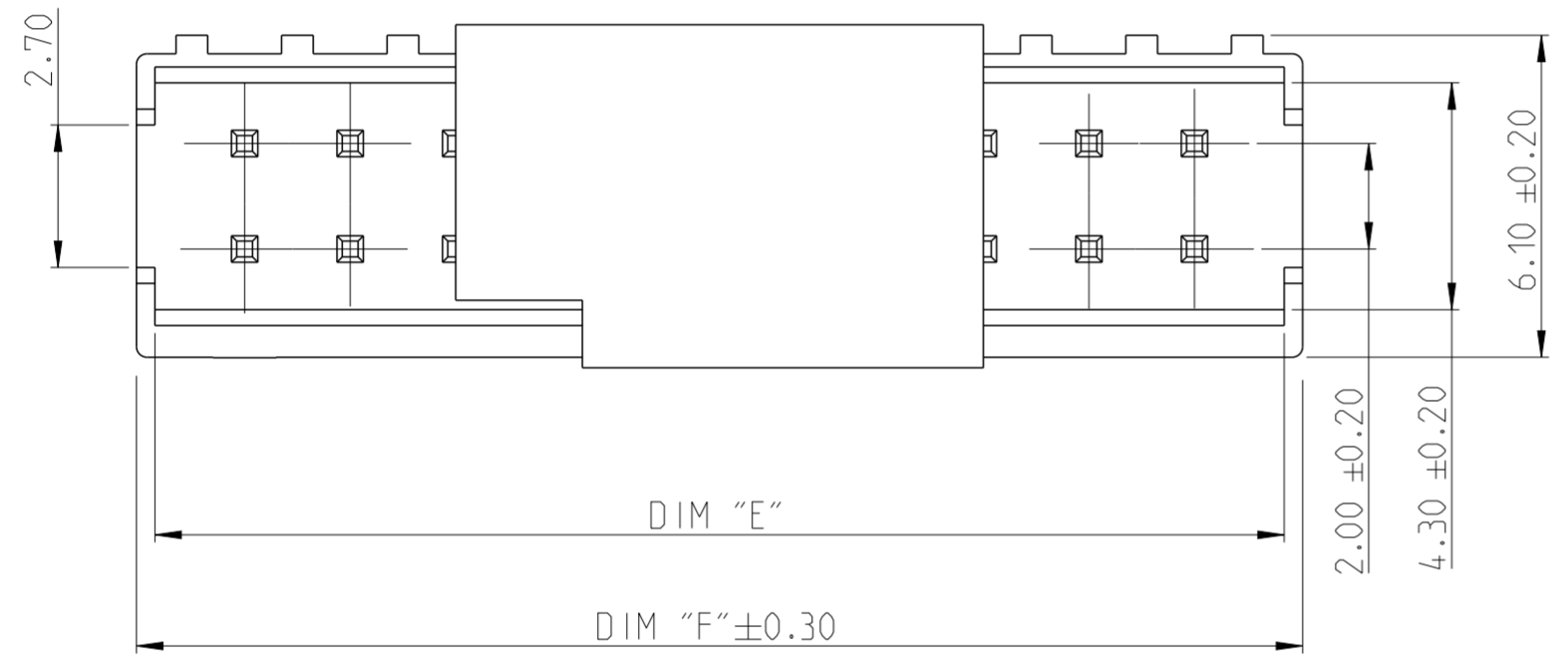
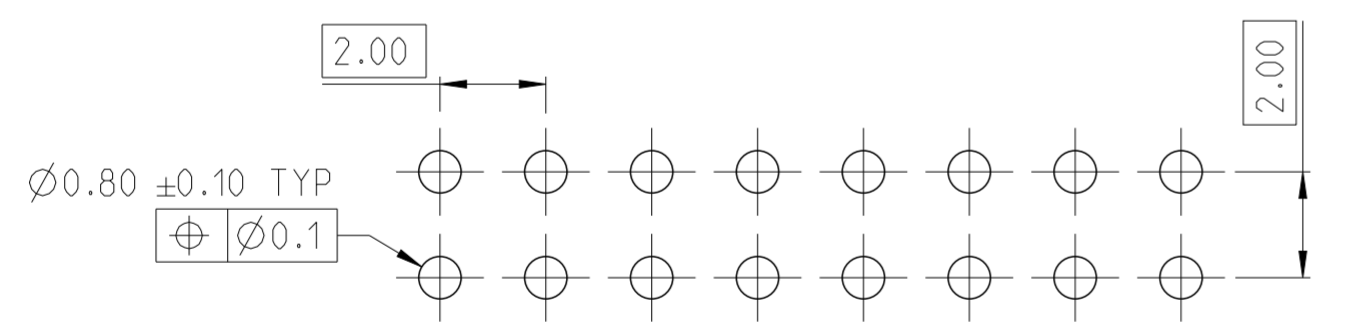


REVISIONS				
P	LTR	DESCRIPTION	DATE	APVD
A		RELEASE TO PRODUCTION	09DEC2019	AY PS
A1		REMOVE POSITION 4, 6 AND 8	04JUN2020	AY PS

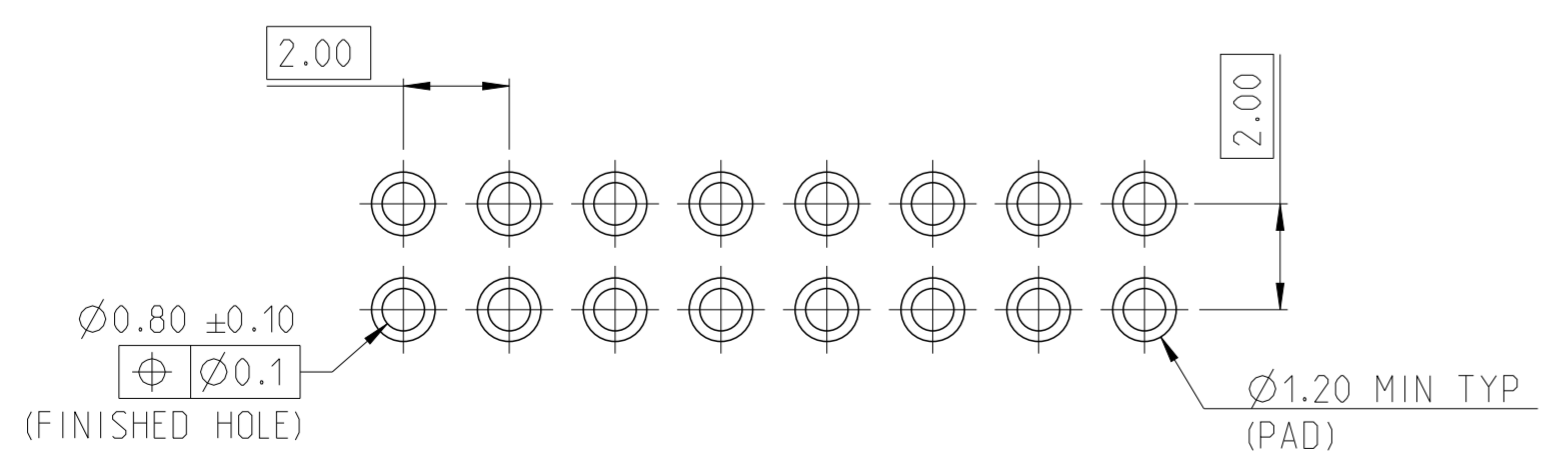
NOTES:  
 1. MATERIAL  
 HOUSING & P&P CAP : HIGH TEMPERATURE THERMOPLASTIC, UL94-V0; COLOR- BLACK  
 POST : COPPER ALLOY  
 FINISH : MIN. 2.0 μm TIN OVER NICKEL UNDER PLATING.  
 2. PACKAGING: TUBE (WITH PICK AND PLACE CAP)  
 TOLERANCE NOT CUMULATIVE.



52.10	51.40	50	5-2842285-0
50.10	49.40	48	4-2842285-8
48.10	47.40	46	4-2842285-6
46.10	45.40	44	4-2842285-4
44.10	43.40	42	4-2842285-2
42.10	41.40	40	4-2842285-0
40.10	39.40	38	3-2842285-8
38.10	37.40	36	3-2842285-6
36.10	35.40	34	3-2842285-4
34.10	33.40	32	3-2842285-2
32.10	31.40	30	3-2842285-0
30.10	29.40	28	2-2842285-8
28.10	27.40	26	2-2842285-6
26.10	25.40	24	2-2842285-4
24.10	23.40	22	2-2842285-2
22.10	21.40	20	2-2842285-0
20.10	19.40	18	1-2842285-8
18.10	17.40	16	1-2842285-6
16.10	15.40	14	1-2842285-4
14.10	13.40	12	1-2842285-2
12.10	11.40	10	1-2842285-0
DIM "F"	DIM "E"	POS.	TE PN.



RECOMMENDED PCB HOLE PATTERN FOR THROUGH HOLE WAVE

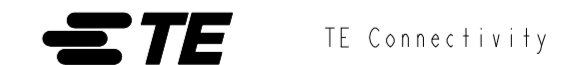


RECOMMENDED PCB HOLE PATTERN FOR THROUGH HOLE REFLOW/PIN-IN-PASTE

2-2842285-0 AS SHOWN

DESCRIPTION	ITEM NO.
PICK AND PLACE CAP	3
CONTACT PIN	2
HOUSING	1

THIS DRAWING IS A CONTROLLED DOCUMENT.		DWN ANKIT YADAV 11NOV2019
DIMENSIONS: mm		CHK KARTHIK JK 25NOV2019
TOLERANCES UNLESS OTHERWISE SPECIFIED:		APVD PRASHANTH S. 27NOV2019
0 PLC ±	1 PLC ±	NAME
2 PLC ±0.25	3 PLC ±	AMPMODU 2mm SHROUDED HEADER
4 PLC ±	ANGLES ±2°	DUAL ROW, VERTICAL TH. SN. TUBE,
MATERIAL SEE NOTES	FINISH SEE NOTES	WITH PICK AND PLACE CAP
		SIZE CAGE CODE DRAWING NO RESTRICTED TO
		A2 00779 C-2842285 -
		CUSTOMER DRAWING SCALE 5:1 SHEET 1 OF 1 REV A1



# Mouser Electronics

Authorized Distributor

Click to View Pricing, Inventory, Delivery & Lifecycle Information:

[TE Connectivity:](#)

[2-2842285-0](#)