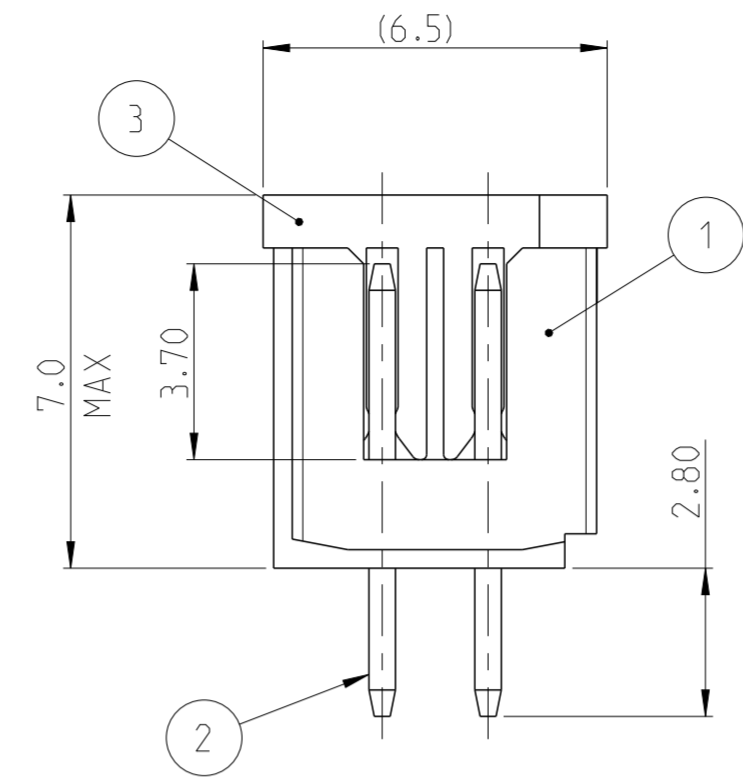
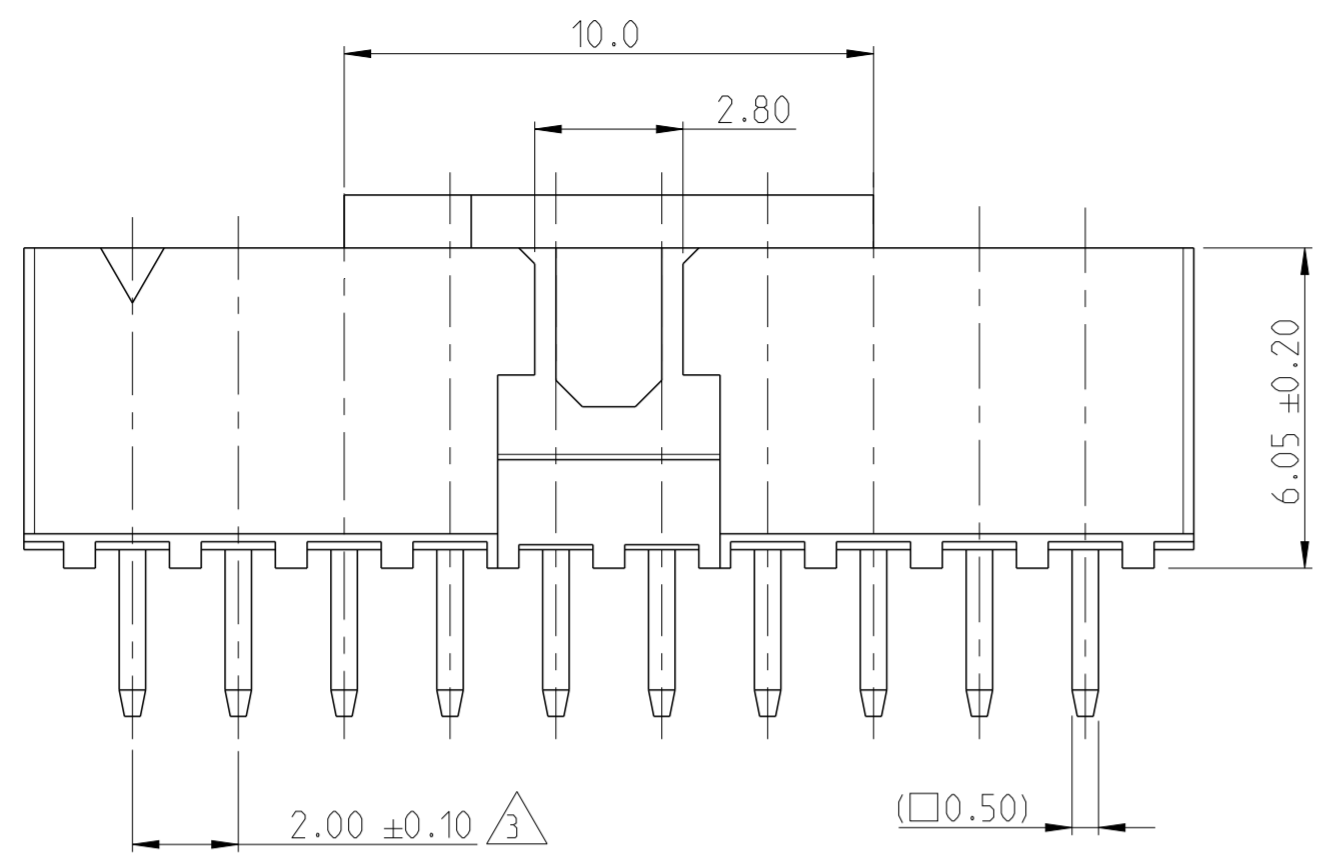
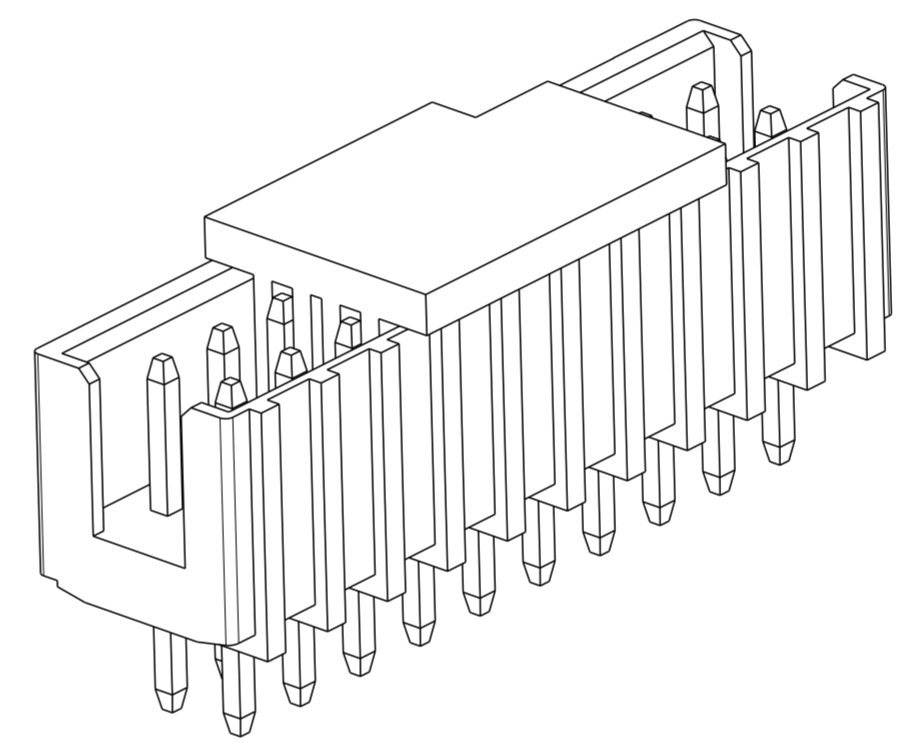
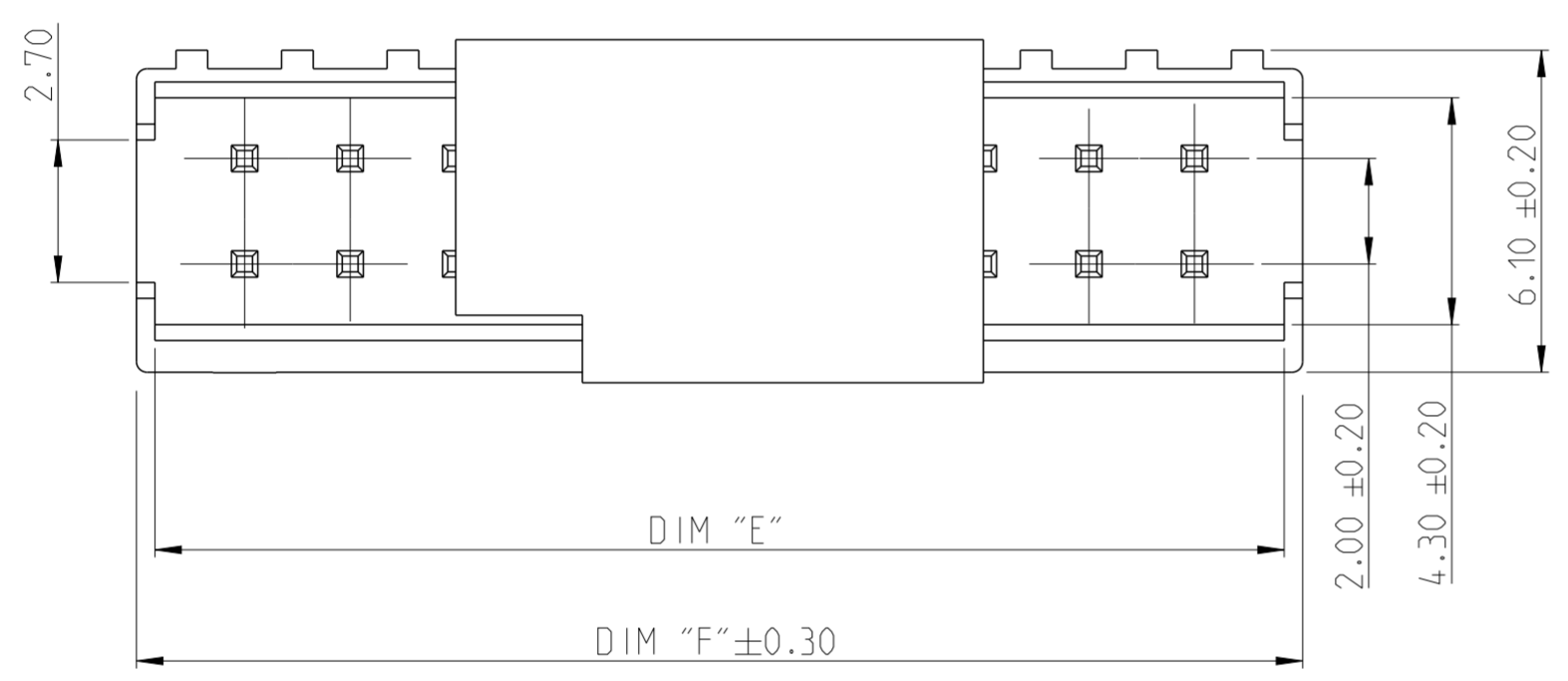


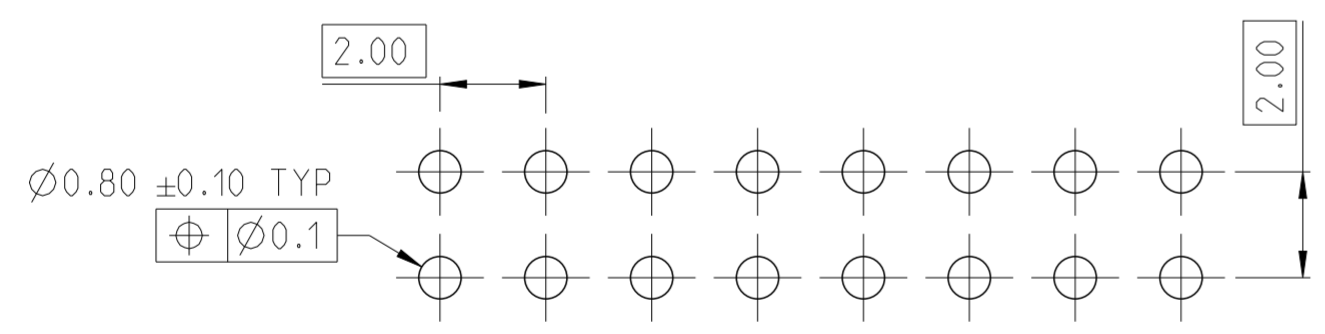
| REVISIONS |     |                            |           |       |
|-----------|-----|----------------------------|-----------|-------|
| P         | LTR | DESCRIPTION                | DATE      | APVD  |
| A         |     | RELEASE TO PRODUCTION      | 09DEC2019 | AY PS |
| A1        |     | REMOVE POSITION 4, 6 AND 8 | 04JUN2020 | AY PS |



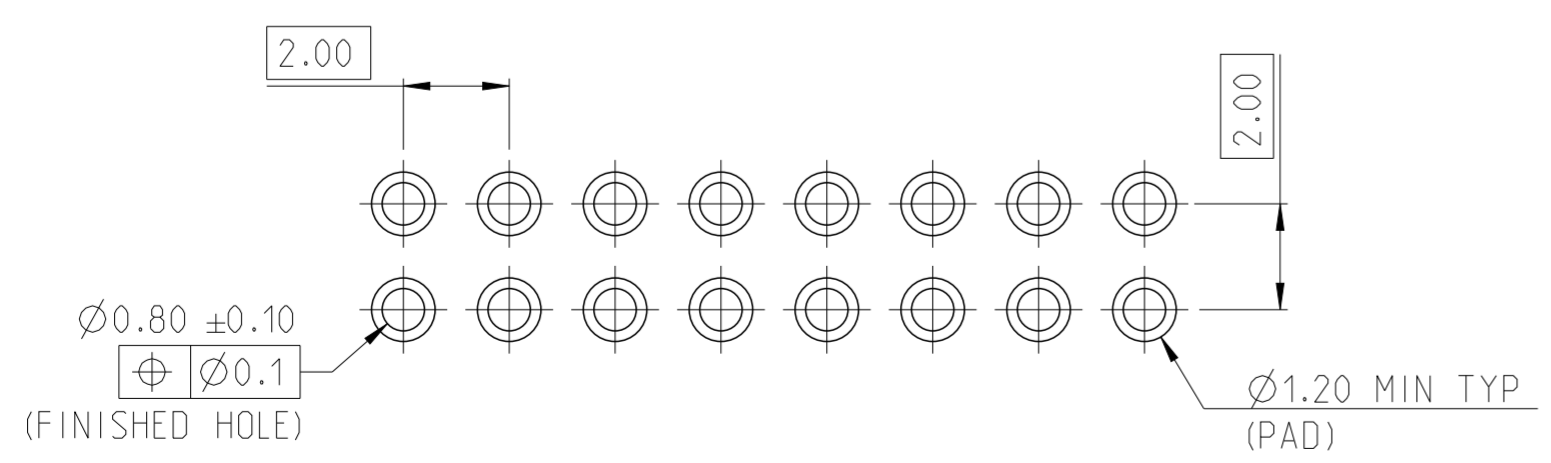
NOTES:  
 1. MATERIAL  
 HOUSING & P&P CAP : HIGH TEMPERATURE THERMOPLASTIC, UL94-V0; COLOR- BLACK  
 POST : COPPER ALLOY  
 FINISH : MIN. 2.0 µm TIN OVER NICKEL UNDER PLATING.  
 2. PACKAGING: TUBE (WITH PICK AND PLACE CAP)  
 3. TOLERANCE NOT CUMULATIVE.



|         |         |      |             |
|---------|---------|------|-------------|
| 52.10   | 51.40   | 50   | 5-2842285-0 |
| 50.10   | 49.40   | 48   | 4-2842285-8 |
| 48.10   | 47.40   | 46   | 4-2842285-6 |
| 46.10   | 45.40   | 44   | 4-2842285-4 |
| 44.10   | 43.40   | 42   | 4-2842285-2 |
| 42.10   | 41.40   | 40   | 4-2842285-0 |
| 40.10   | 39.40   | 38   | 3-2842285-8 |
| 38.10   | 37.40   | 36   | 3-2842285-6 |
| 36.10   | 35.40   | 34   | 3-2842285-4 |
| 34.10   | 33.40   | 32   | 3-2842285-2 |
| 32.10   | 31.40   | 30   | 3-2842285-0 |
| 30.10   | 29.40   | 28   | 2-2842285-8 |
| 28.10   | 27.40   | 26   | 2-2842285-6 |
| 26.10   | 25.40   | 24   | 2-2842285-4 |
| 24.10   | 23.40   | 22   | 2-2842285-2 |
| 22.10   | 21.40   | 20   | 2-2842285-0 |
| 20.10   | 19.40   | 18   | 1-2842285-8 |
| 18.10   | 17.40   | 16   | 1-2842285-6 |
| 16.10   | 15.40   | 14   | 1-2842285-4 |
| 14.10   | 13.40   | 12   | 1-2842285-2 |
| 12.10   | 11.40   | 10   | 1-2842285-0 |
| DIM "F" | DIM "E" | POS. | TE PN.      |



RECOMMENDED PCB HOLE PATTERN FOR THROUGH HOLE WAVE



RECOMMENDED PCB HOLE PATTERN FOR THROUGH HOLE REFLOW/PIN-IN-PASTE

2-2842285-0 AS SHOWN

| DESCRIPTION        | ITEM NO. |
|--------------------|----------|
| PICK AND PLACE CAP | 3        |
| CONTACT PIN        | 2        |
| HOUSING            | 1        |

|                                        |                                        |                                                                                           |                      |
|----------------------------------------|----------------------------------------|-------------------------------------------------------------------------------------------|----------------------|
| THIS DRAWING IS A CONTROLLED DOCUMENT. |                                        | DWN ANKIT YADAV 11NOV2019                                                                 | <br>TE Connectivity  |
|                                        |                                        | CHK KARTHIK JK 25NOV2019                                                                  |                      |
|                                        |                                        | APVD PRASHANTH S. 27NOV2019                                                               |                      |
|                                        |                                        | NAME AMPMODU 2mm SHROUDED HEADER DUAL ROW, VERTICAL TH. SN. TUBE, WITH PICK AND PLACE CAP |                      |
| DIMENSIONS: mm                         | TOLERANCES UNLESS OTHERWISE SPECIFIED: | PRODUCT SPEC 108-64040                                                                    | SIZE A2              |
|                                        | 0 PLC ±                                | APPLICATION SPEC 114-32259                                                                | CAGE CODE 00779      |
|                                        | 1 PLC ±                                | WEIGHT -                                                                                  | DRAWING NO C-2842285 |
|                                        | 2 PLC ±0.25                            |                                                                                           | RESTRICTED TO -      |
|                                        | 3 PLC ±                                |                                                                                           | SCALE 5:1            |
|                                        | 4 PLC ±                                |                                                                                           | SHEET 1 OF 1         |
|                                        | ANGLES ±2°                             |                                                                                           | REV A1               |
| MATERIAL SEE NOTES                     | FINISH SEE NOTES                       | CUSTOMER DRAWING                                                                          |                      |

# Mouser Electronics

Authorized Distributor

Click to View Pricing, Inventory, Delivery & Lifecycle Information:

[TE Connectivity:](#)

[1-2842285-6](#)