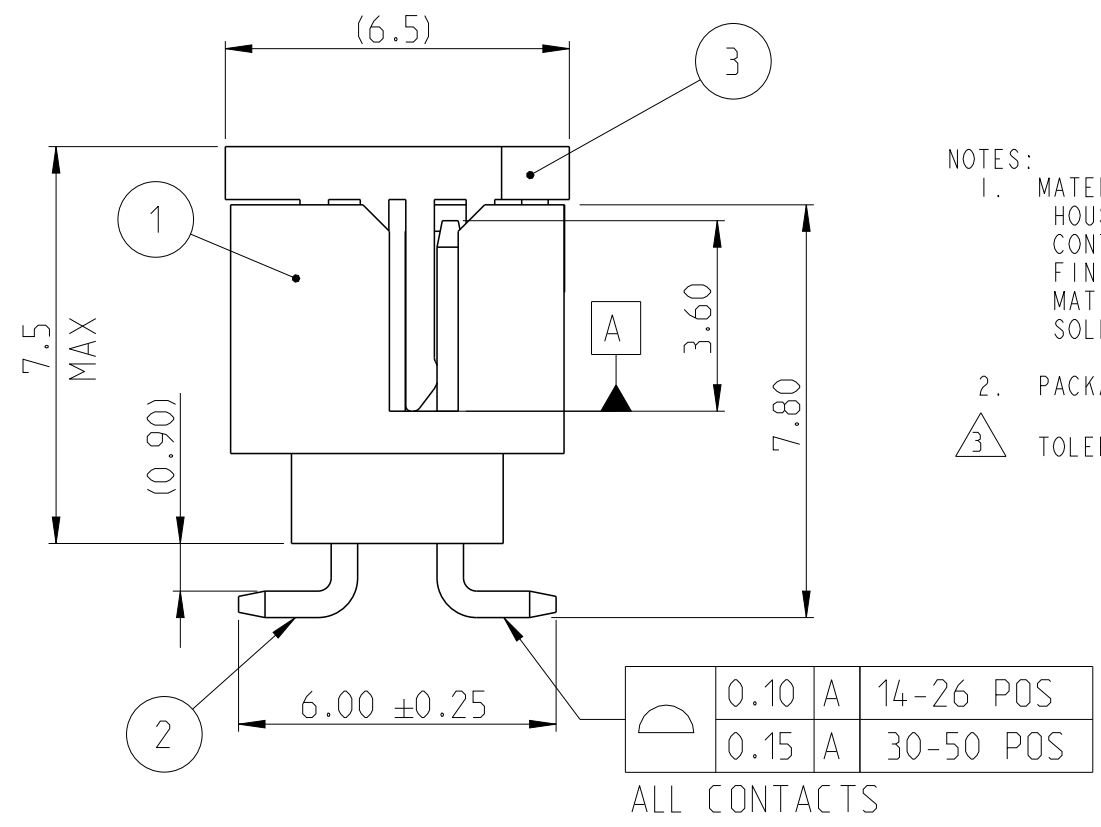
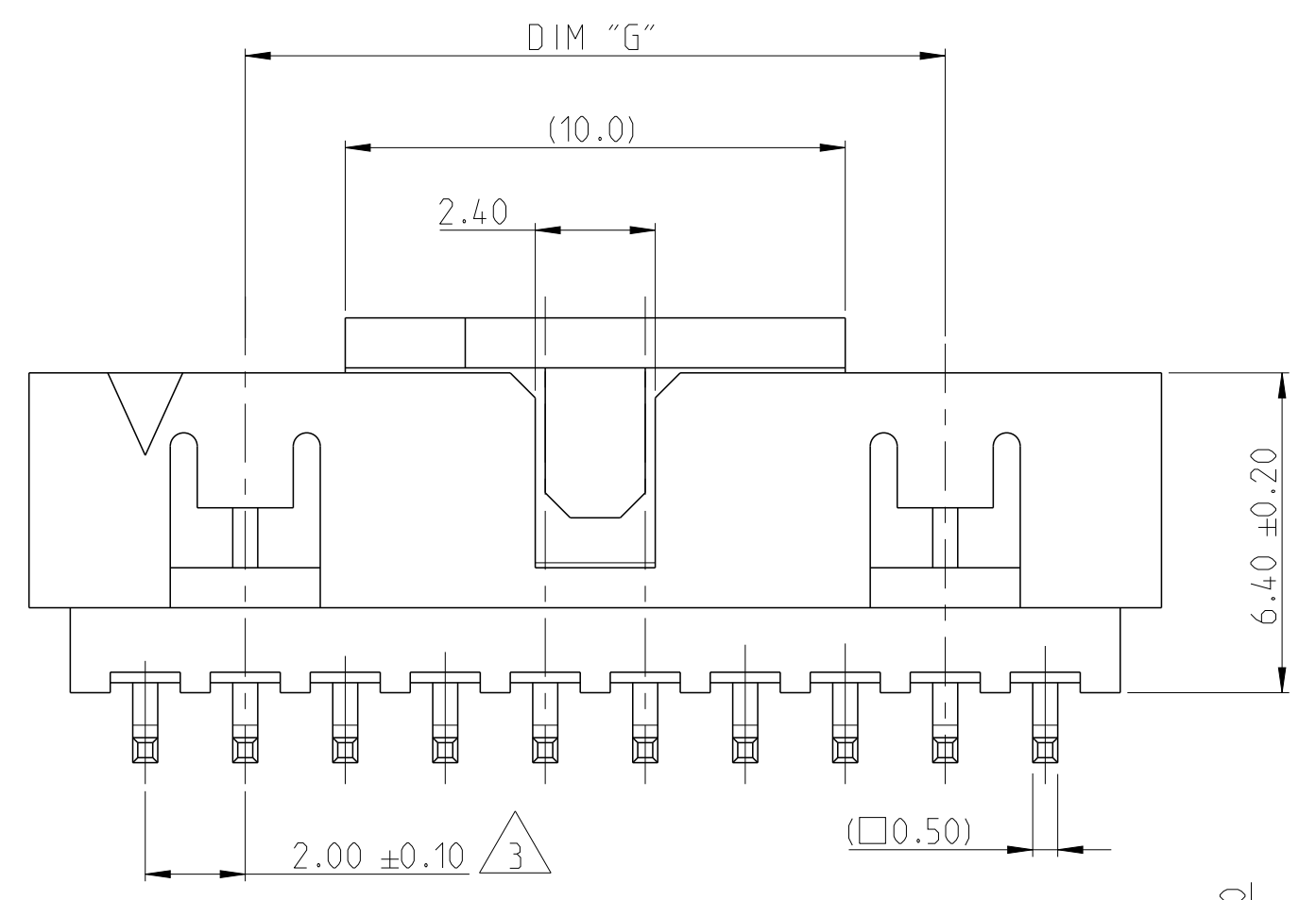
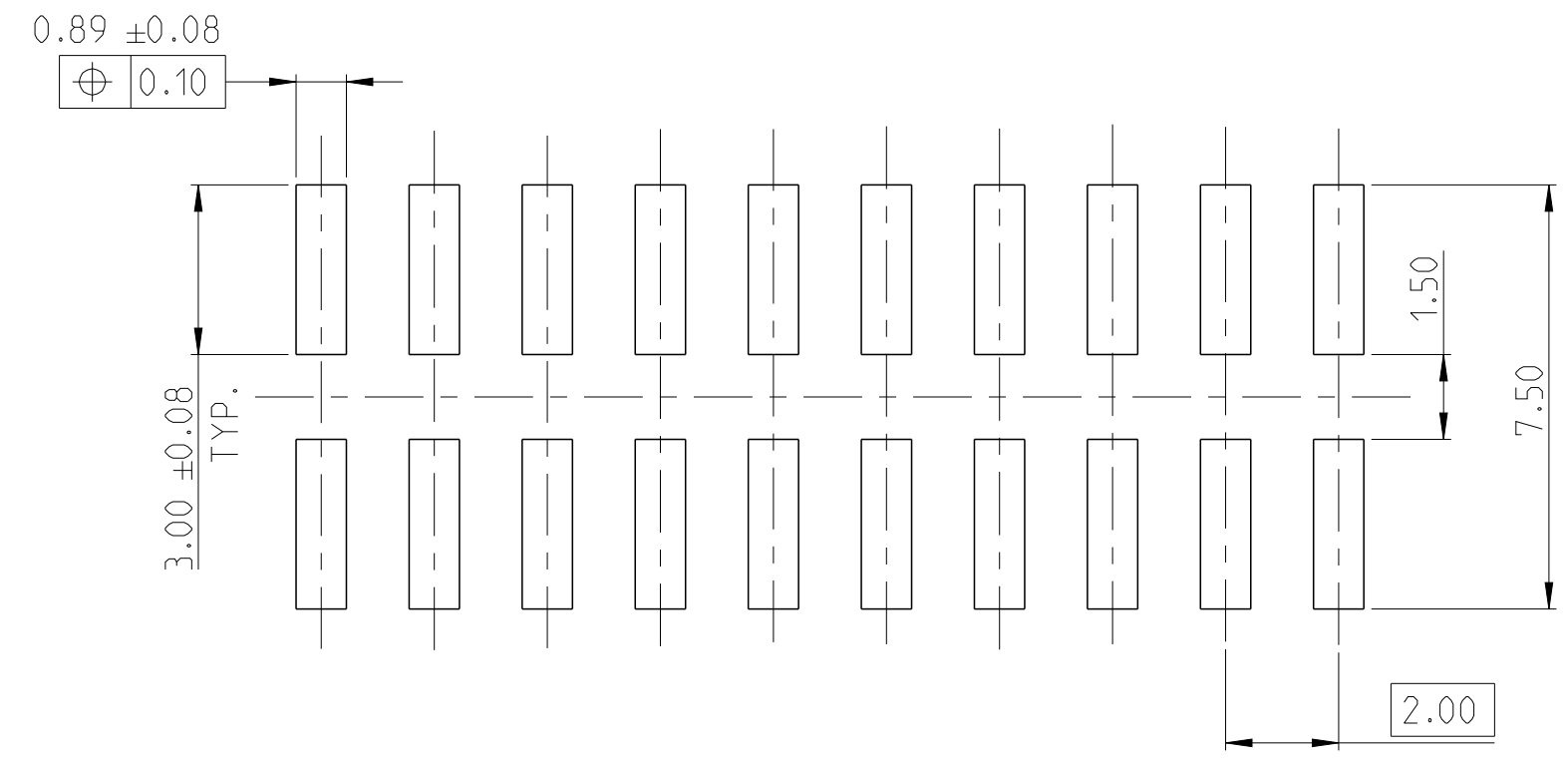
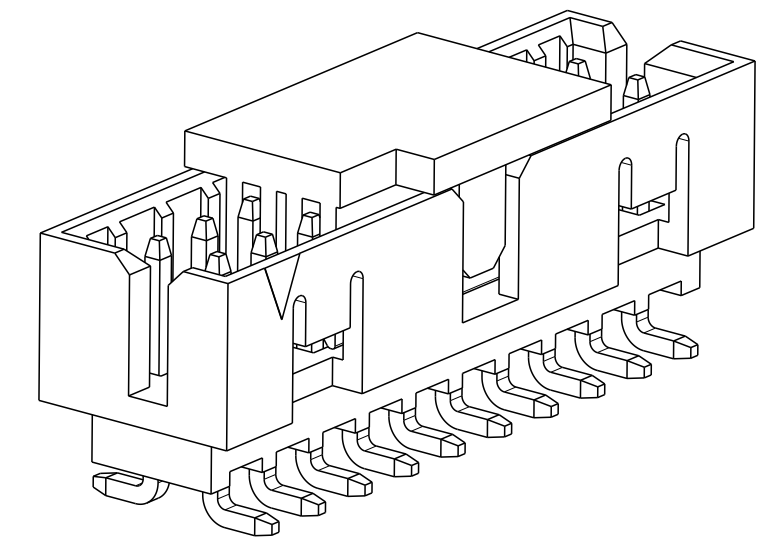
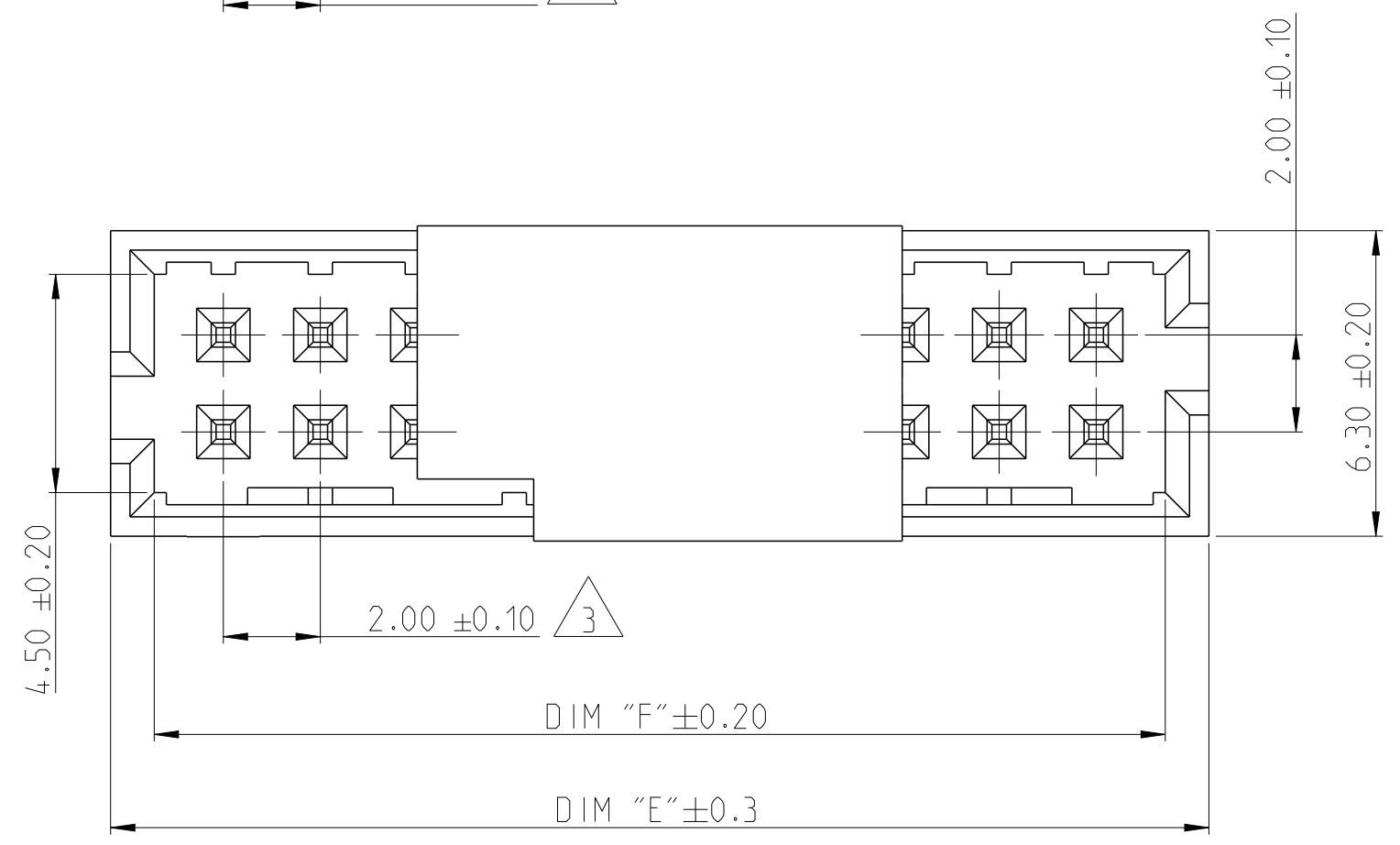


| REVISIONS | | | | | |
|-----------|-----|-------------------------------------|-----------|-----|------|
| P | LTR | DESCRIPTION | DATE | DWN | APVD |
| A | | RELEASE TO PRODUCTION | 09DEC2019 | AY | PS |
| A1 | | DIMENSION F REMOVED FROM PCB LAYOUT | 11JUN2020 | AY | PS |



NOTES:
 1. MATERIAL
 HOUSING & P&P CAP : HIGH TEMPERATURE THERMOPLASTIC, UL94-V0; COLOR- BLACK
 CONTACT PIN : COPPER ALLOY
 FINISH :
 MATING SIDE: MIN. 0.38 μm GOLD OVER NICKEL UNDER PLATING.
 SOLDER SIDE: MIN. 2.0 μm TIN OVER NICKEL UNDER PLATING.
 2. PACKAGING: TAPE AND REEL (WITH PICK AND PLACE CAP)
 3. TOLERANCE NOT CUMULATIVE.



2-2842241-0 AS SHOWN

| | | | | |
|---------|---------|---------|------|-------------|
| 44 | 50.85 | 52.65 | 50 | 5-2842241-0 |
| 38 | 44.85 | 46.65 | 44 | 4-2842241-4 |
| 34 | 40.85 | 42.65 | 40 | 4-2842241-0 |
| 28 | 34.85 | 36.65 | 34 | 3-2842241-4 |
| 24 | 30.85 | 32.65 | 30 | 3-2842241-0 |
| 20 | 26.85 | 28.65 | 26 | 2-2842241-6 |
| 18 | 24.85 | 26.65 | 24 | 2-2842241-4 |
| 14 | 20.85 | 22.65 | 20 | 2-2842241-0 |
| 10 | 16.85 | 18.65 | 16 | 1-2842241-6 |
| 8 | 14.85 | 16.65 | 14 | 1-2842241-4 |
| DIM "G" | DIM "F" | DIM "E" | POS. | TE PN. |

| | |
|--------------------|----------|
| PICK AND PLACE CAP | 3 |
| CONTACT PIN | 2 |
| HOUSING | 1 |
| DESCRIPTION | ITEM NO. |

| | | | |
|--|-------|------------------|-----------|
| THIS DRAWING IS A CONTROLLED DOCUMENT. | | DWN | 12NOV2019 |
| DIMENSIONS: mm | | CHK | 25NOV2019 |
| TOLERANCES UNLESS OTHERWISE SPECIFIED: | | APVD | 27NOV2019 |
| 0 PLC | ± | PRASHANTH S. | |
| 1 PLC | ± | PRODUCT SPEC | |
| 2 PLC | ±0.25 | 108-64040 | |
| 3 PLC | ± | APPLICATION SPEC | |
| 4 PLC | ± | 114-32259 | |
| ANGLES | ±2° | WEIGHT | |
| FINISH | - | CUSTOMER DRAWING | |

| | | | |
|--|-----------|-----------------|---------------|
| | | TE Connectivity | |
| NAME: AMPMODU 2mm, SHROUDED HEADER, DUAL ROW, VERTICAL SMD, 0.38 Au, T/R WITH PICK AND PLACE CAP | | | |
| SIZE | CAGE CODE | DRAWING NO | RESTRICTED TO |
| A2 | 00779 | C-2842241 | - |
| SCALE 5:1 | | SHEET 1 OF 1 | REV A1 |

Mouser Electronics

Authorized Distributor

Click to View Pricing, Inventory, Delivery & Lifecycle Information:

[TE Connectivity:](#)

[2-2842241-4](#)