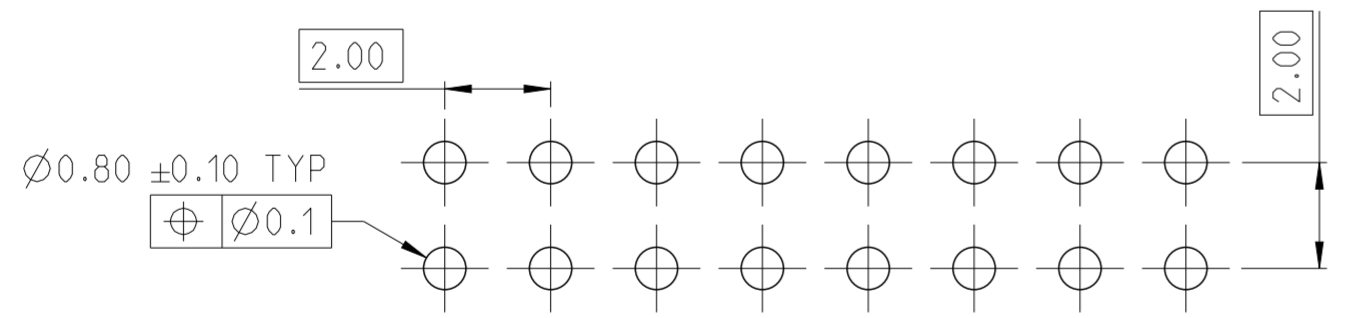
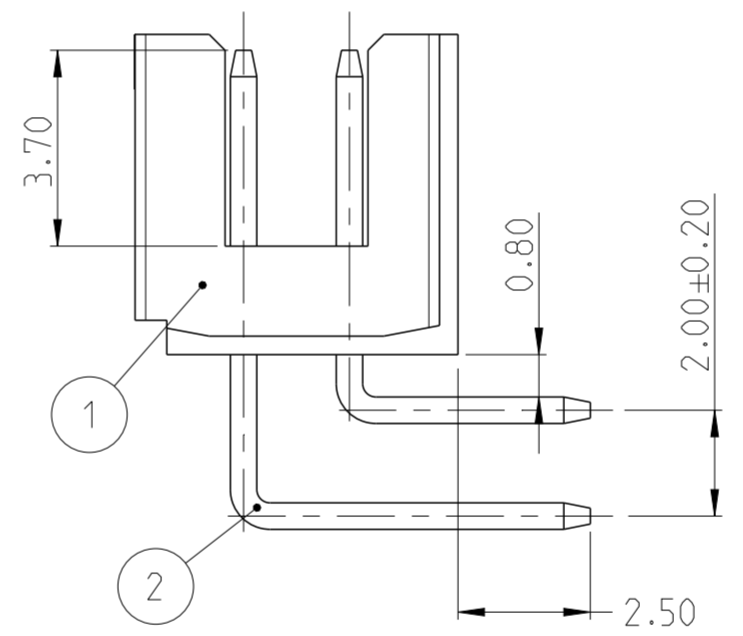
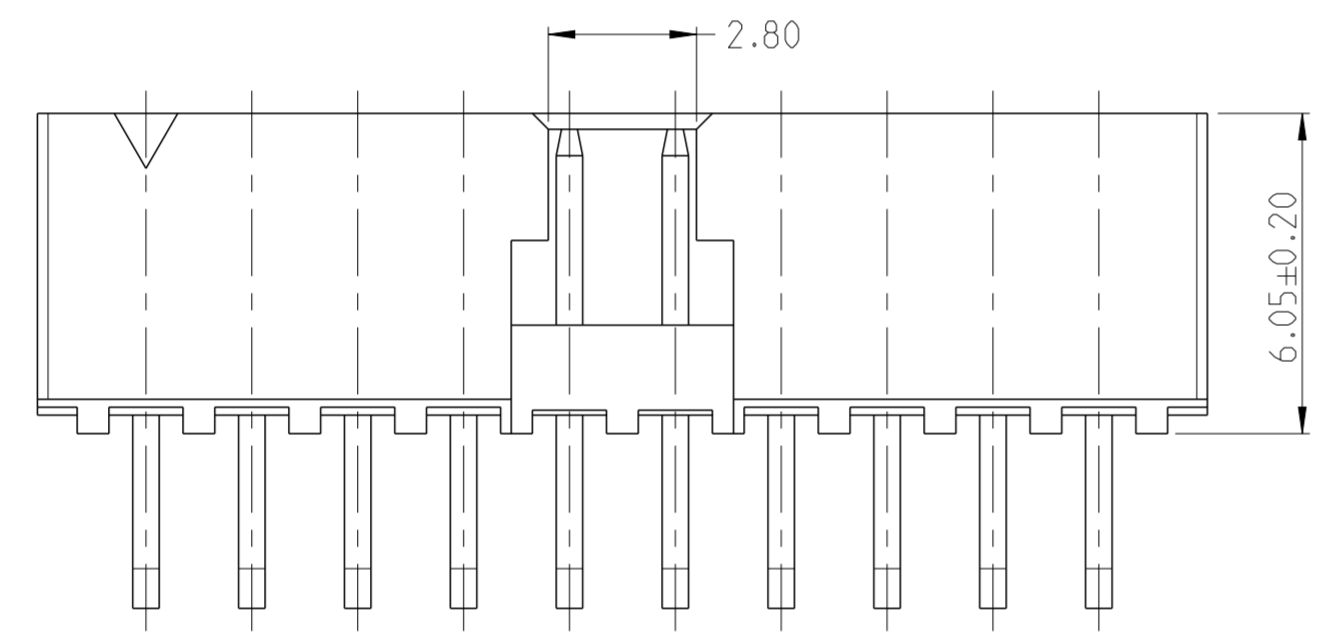


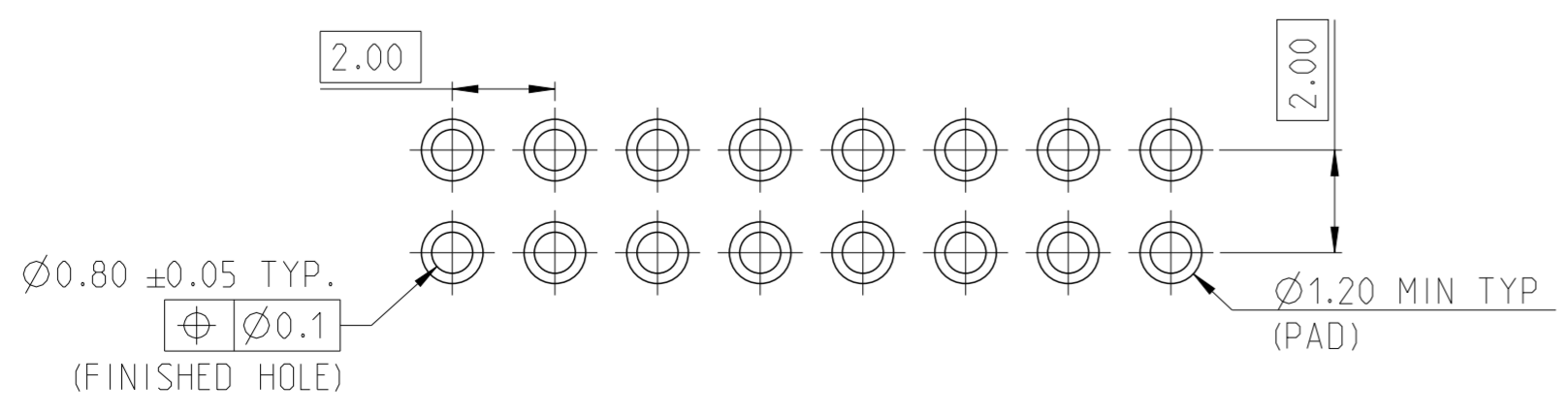
REVISIONS				
P	LTR	DESCRIPTION	DATE	APVD
A		RELEASE TO PRODUCTION	29NOV2019	AY PS
A1		REMOVE POSITION 4	01JUN2020	AY PS

NOTES:
 1. MATERIAL
 HOUSING : HIGH TEMPERATURE THERMOPLASTIC, UL94-V0; COLOR- BLACK
 POST : COPPER ALLOY
 FINISH : MIN. 2.0 µm TIN OVER NICKEL UNDER PLATING.
 2. PACKAGING: TUBE
 △ TOLERANCE NOT CUMULATIVE.



RECOMMENDED PCB HOLE PATTERN FOR THROUGH HOLE WAVE

2-2842165-0 AS SHOWN



RECOMMENDED PCB HOLE PATTERN FOR THROUGH HOLE REFLOW /PIN-IN-PASTE

52.10	51.40	50	5-2842165-0
50.10	49.40	48	4-2842165-8
48.10	47.40	46	4-2842165-6
46.10	45.40	44	4-2842165-4
44.10	43.40	42	4-2842165-2
42.10	41.40	40	4-2842165-0
40.10	39.40	38	3-2842165-8
38.10	37.40	36	3-2842165-6
36.10	35.40	34	3-2842165-4
34.10	33.40	32	3-2842165-2
32.10	31.40	30	3-2842165-0
30.10	29.40	28	2-2842165-8
28.10	27.40	26	2-2842165-6
26.10	25.40	24	2-2842165-4
24.10	23.40	22	2-2842165-2
22.10	21.40	20	2-2842165-0
20.10	19.40	18	1-2842165-8
18.10	17.40	16	1-2842165-6
16.10	15.40	14	1-2842165-4
14.10	13.40	12	1-2842165-2
12.10	11.40	10	1-2842165-0
10.10	9.40	8	2842165-8
8.10	7.40	6	2842165-6
DIM "F"	DIM "E"	POS.	TE PN

CONTACT PIN	2
HOUSING	1
DESCRIPTION	ITEM NO.

THIS DRAWING IS A CONTROLLED DOCUMENT.		DWN ANKIT YADAV 09 JUL 2019
		CHK KARTHIK JK 12 AUG 2019
		APVD PRASHANTH S. 13 AUG 2019
DIMENSIONS: mm		NAME AMPMODU 2mm SHROUDED HEADER, DUAL ROW, RIGHT ANGLE, Sn, TUBE
TOLERANCES UNLESS OTHERWISE SPECIFIED:		PRODUCT SPEC 108-64040
0 PLC ± -		APPLICATION SPEC 114-32259
1 PLC ± -		WEIGHT -
2 PLC ± 0.25		SIZE A2
3 PLC ± -		CAGE CODE 00779
4 PLC ± -		DRAWING NO C= 2842165
ANGLES ± 2°		RESTRICTED TO -
FINISH SEE NOTES	SEE NOTES	SCALE 7:1
MATERIAL -		SHEET 1 OF 1
CUSTOMER DRAWING		REV A1

STE TE Connectivity			
SIZE	CAGE CODE	DRAWING NO	RESTRICTED TO
A2	00779	C= 2842165	-
SCALE 7:1		SHEET 1 OF 1	REV A1

Mouser Electronics

Authorized Distributor

Click to View Pricing, Inventory, Delivery & Lifecycle Information:

[TE Connectivity:](#)

[4-2842165-0](#)