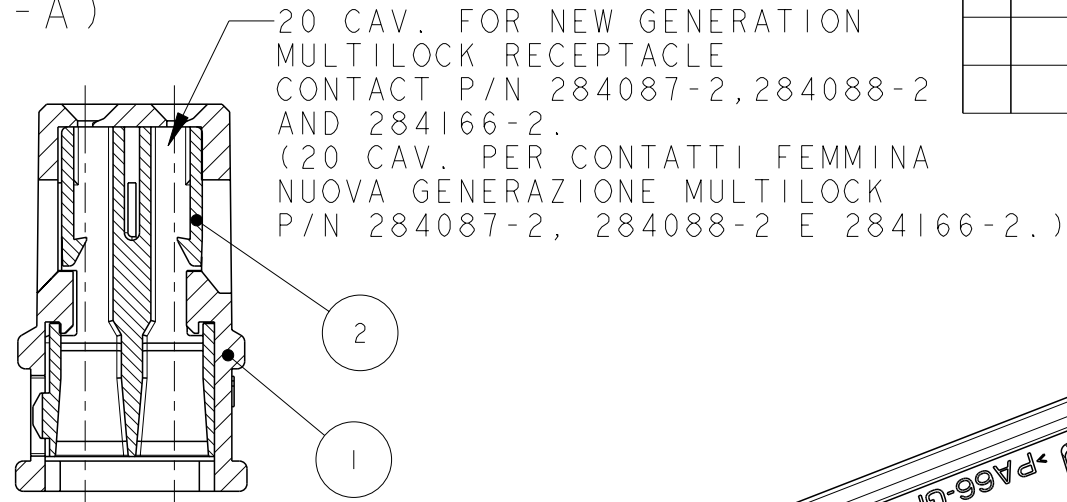
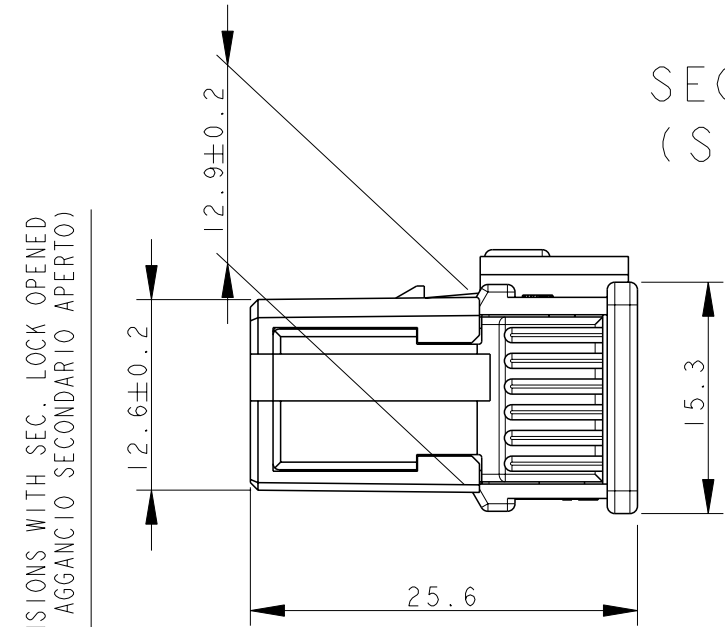
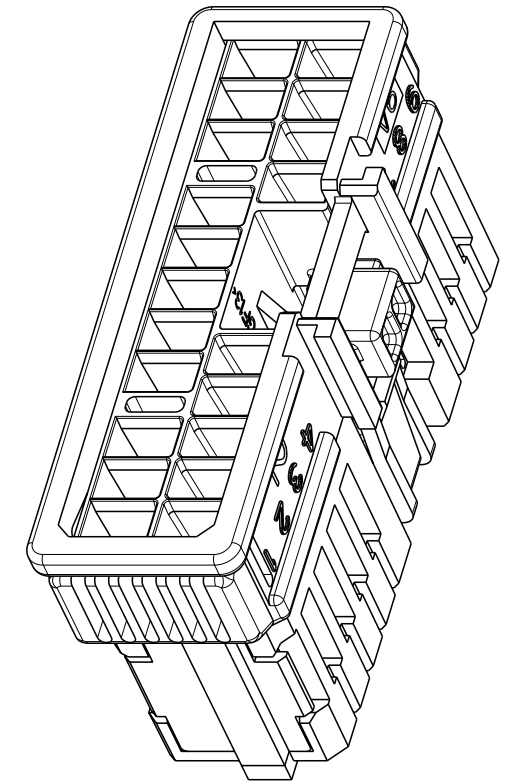
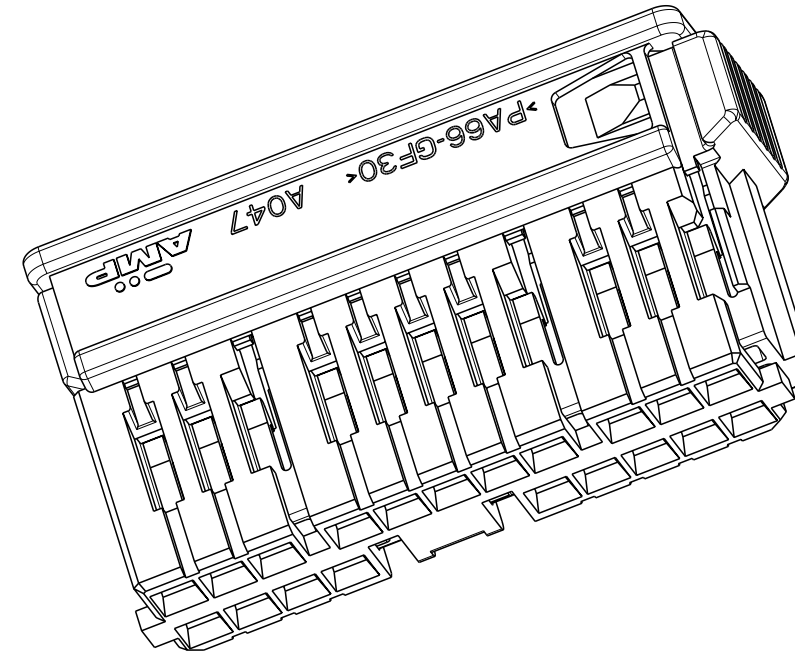
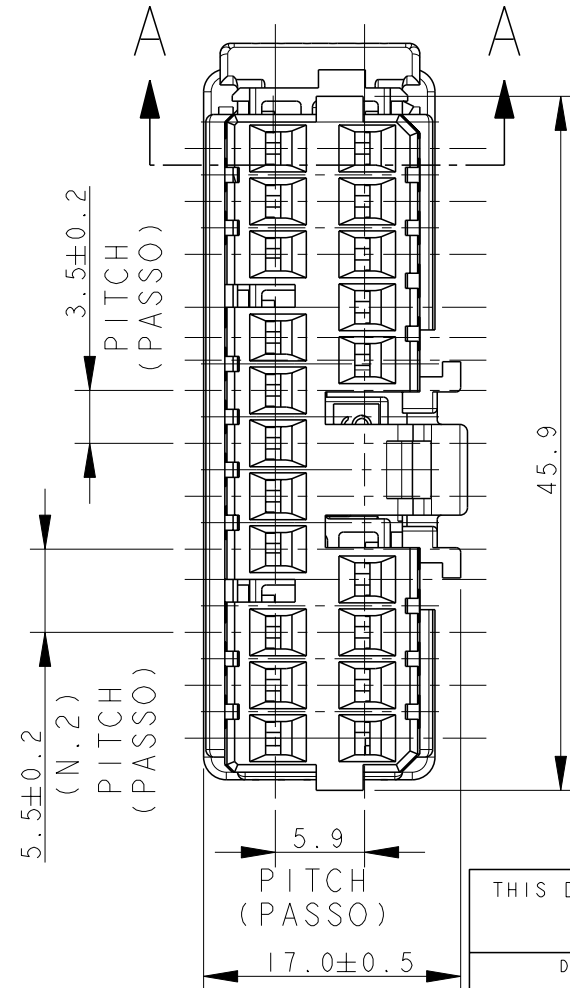
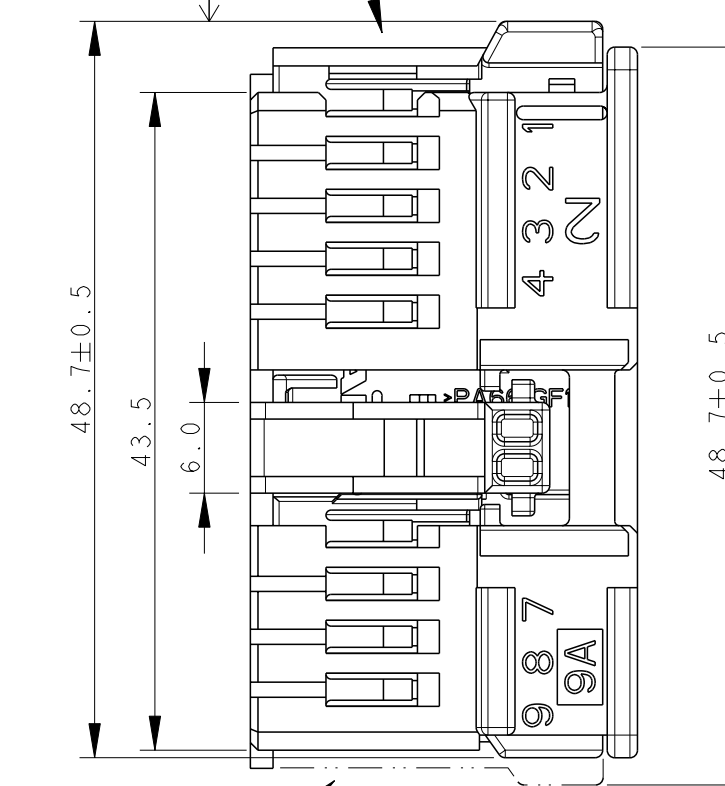


P	LTR	DESCRIPTION	DATE	DWN	APVD
A4		REVISED PER ECO-20-003218	08JUN2020	AP	VN

SECTION A-A  
(SEZIONE A-A)



SUPPLIED WITH SEC. LOCKING DEVICE ON PRE-ASSEMBLED POSITION (FORNITO CON IL DISPOSITIVO DI AGGANCIO SECONDARIO IN POS. PRE-ASSEMBLATO)



282991-2 AS SHOWN (COME MOSTRATO)

ITEM	DESCRIPTION (DESCRIZIONE)	FINISH/COLOUR (FINITURA/COLORE)	MATERIAL (MATERIALE)	PART NUMBER (NUMERO)
2	RECEPTACLE HOUSING (BLOCC. PORTA FEMMINE)	SEE SHEET 2 VED. FOGLIO 2	PA 66 G.F.	SEE SHEET 2 VED. FOGLIO 2
1	SEC. LOCKING DEVICE (AGGANCIO SECONDARIO)	SEE SHEET 2 VED. FOGLIO 2	PA 66 G.F.	SEE SHEET 2 VED. FOGLIO 2

THIS DRAWING IS A CONTROLLED DOCUMENT.

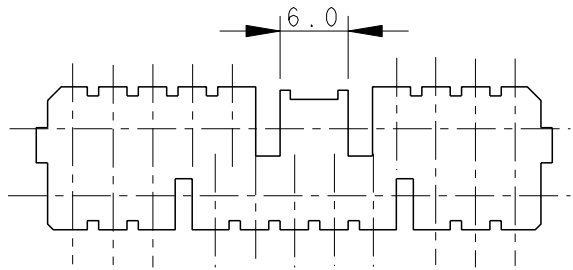
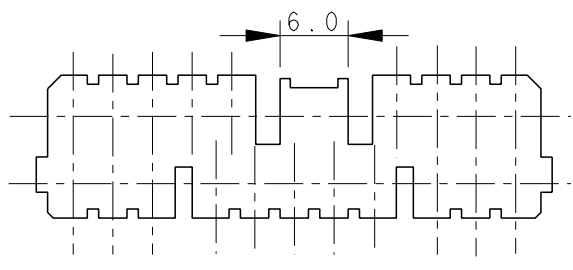
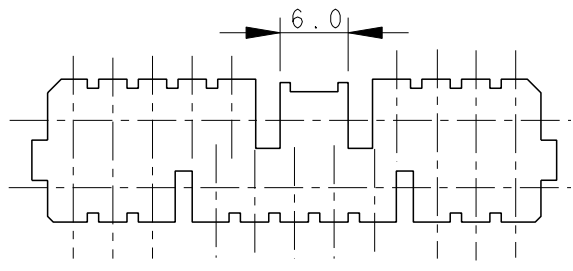
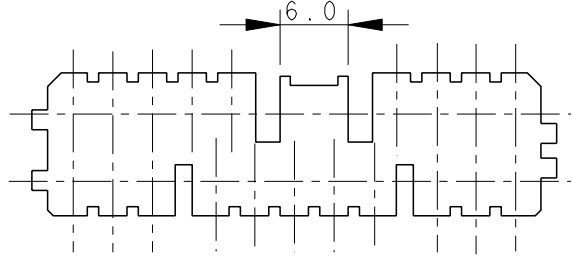
DIMENSIONS: mm	TOLERANCES UNLESS OTHERWISE SPECIFIED:
	0 PLC ±0.3
	1 PLC ±0.3
	2 PLC ±0.3
	3 PLC ±
	4 PLC ±
	ANGLES ±2
MATERIAL SEE table	FINISH -

DWN	A. MARANGON	04MAR99
CHK	O. CANUTO	04MAR99
APVD	A. GENTIA	04MAR99
PRODUCT SPEC	108-20175	
APPLICATION SPEC	114-20098	
WEIGHT	8.0 g	
CUSTOMER DRAWING		

		NAME	
		20 POS. NEW GENERATION RECEPTACLE CONNECTOR for trucks	
SIZE	CAGE CODE	DRAWING NO	RESTRICTED TO
A300779	C-282991		-
SCALE 2:1		SHEET 1 OF 2	REV A4

FOR POLARIZATION DETAILS AND COUNTERPARTS P/N'S SEE SHEET 2 (PER DETTAGLIO POLARIZZAZIONI E P/N'S CONTROPARTI VEDERE FOGLIO 2)

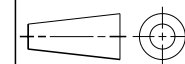
P	LTR	DESCRIPTION	DATE	DWN	APVD
-		SEE SHEET 1, (VEDERE FOGLIO 1)	-	-	-

P/N	ITEM 1 COLOUR (COLORE)	PART REV	GRAPHIC REPRESENTATION MATING FACE (RAPPRESENTAZIONE GRAFICA LATO ACCOPPIAMENTO)	P/N FREE HANGING COUNTERPART (CONTROPARTE VOLANTE)	P/N APPLICATION PANEL (DIMA DI APPLICAZIONE)
282991-2	BLACK (NERO)	A		282994-2	92-51128-2
282991-3	BLUE (BLU)	A		282994-3	92-51128-3
282991-4	GREY (GRIGIO)	A		282994-4	92-51128-4
<del>282991-5</del>	GREEN (VERDE)	A		/	/
<del>282991-6</del>	BROWN (MARRONE)	A	SAME AS -5	/	/

OBSOLETE

THIS DRAWING IS A CONTROLLED DOCUMENT.

DIMENSIONS:  
mm



MATERIAL  
SEE SHEET 1  
(VEDERE FOGLIO 1)

TOLERANCES UNLESS OTHERWISE SPECIFIED:

0 PLC	±0.3
1 PLC	±0.3
2 PLC	±0.3
3 PLC	±
4 PLC	±
ANGLES	±2

FINISH  
=

DWN 04MAR99

A. MARANGON

CHK 04MAR99

O. CANUTO

APVD 04MAR99

A. GENTIA

PRODUCT SPEC

SEE SHEET 1 (VEDERE FOGLIO 1)

APPLICATION SPEC

SEE SHEET 1 (VEDERE FOGLIO 1)

WEIGHT 18.0 g  
(VEDERE FOGLIO 1)

CUSTOMER DRAWING



TE Connectivity

NAME  
20 POS. NEW GENERATION  
RECEPTACLE CONNECTOR  
for trucks

SIZE CAGE CODE DRAWING NO RESTRICTED TO

A300779 C-282991

SCALE 1:1 SHEET 2 OF 2 REV A4

# Mouser Electronics

Authorized Distributor

Click to View Pricing, Inventory, Delivery & Lifecycle Information:

[TE Connectivity:](#)

[282991-4](#)