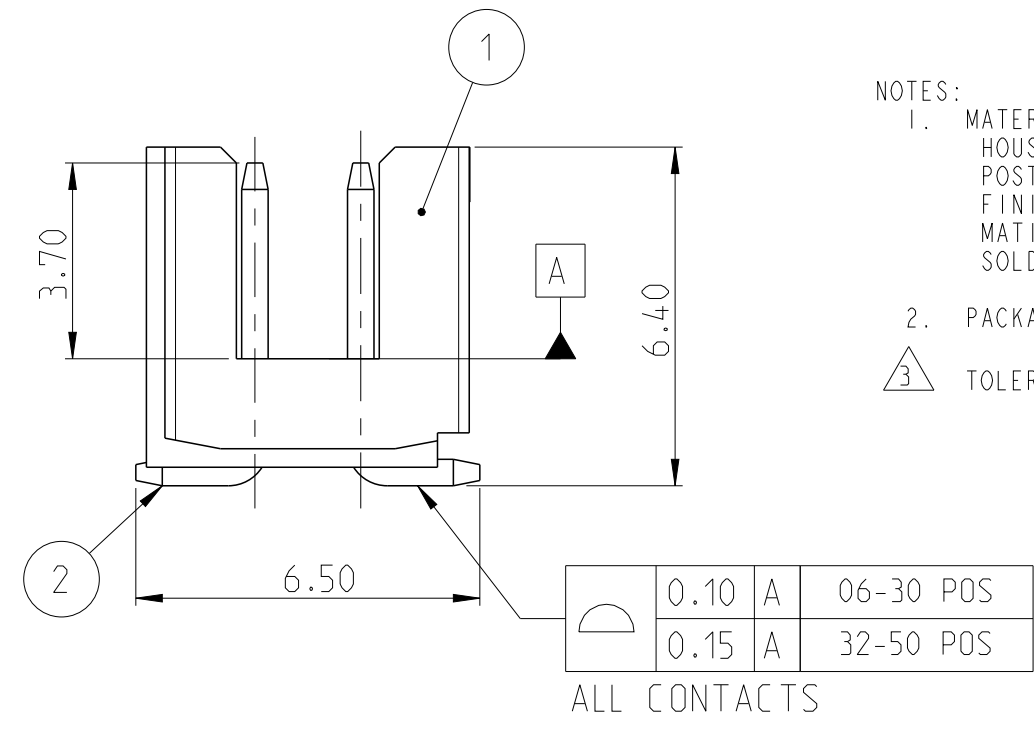
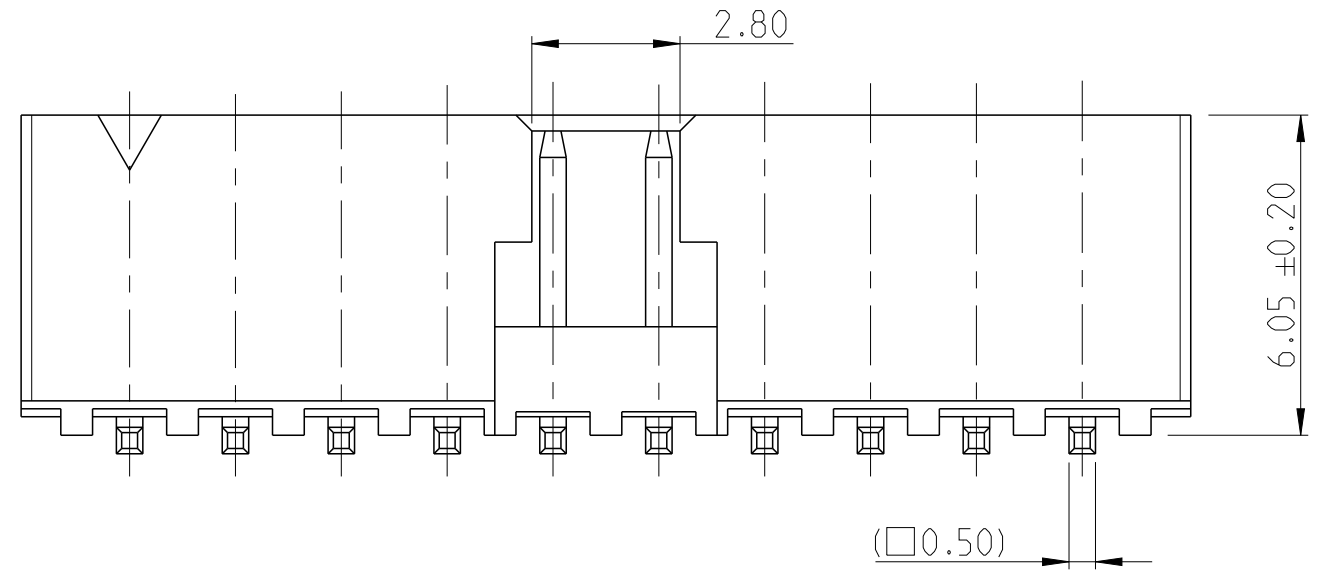
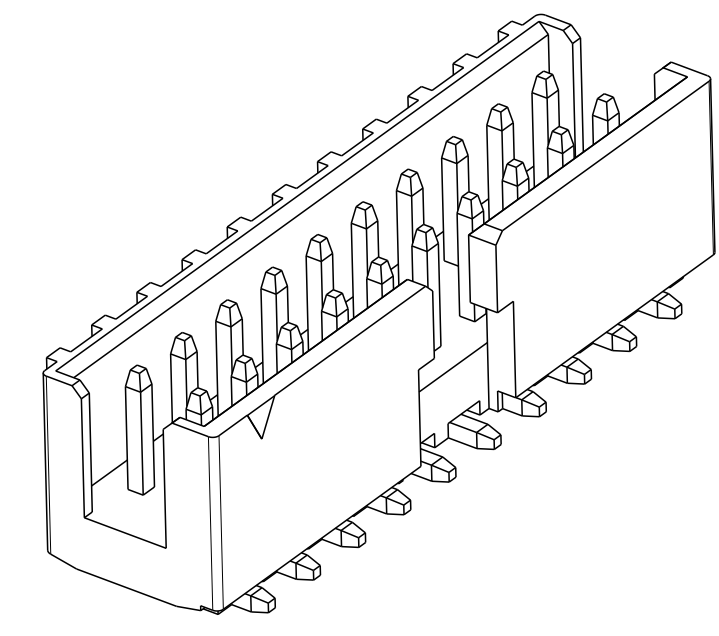
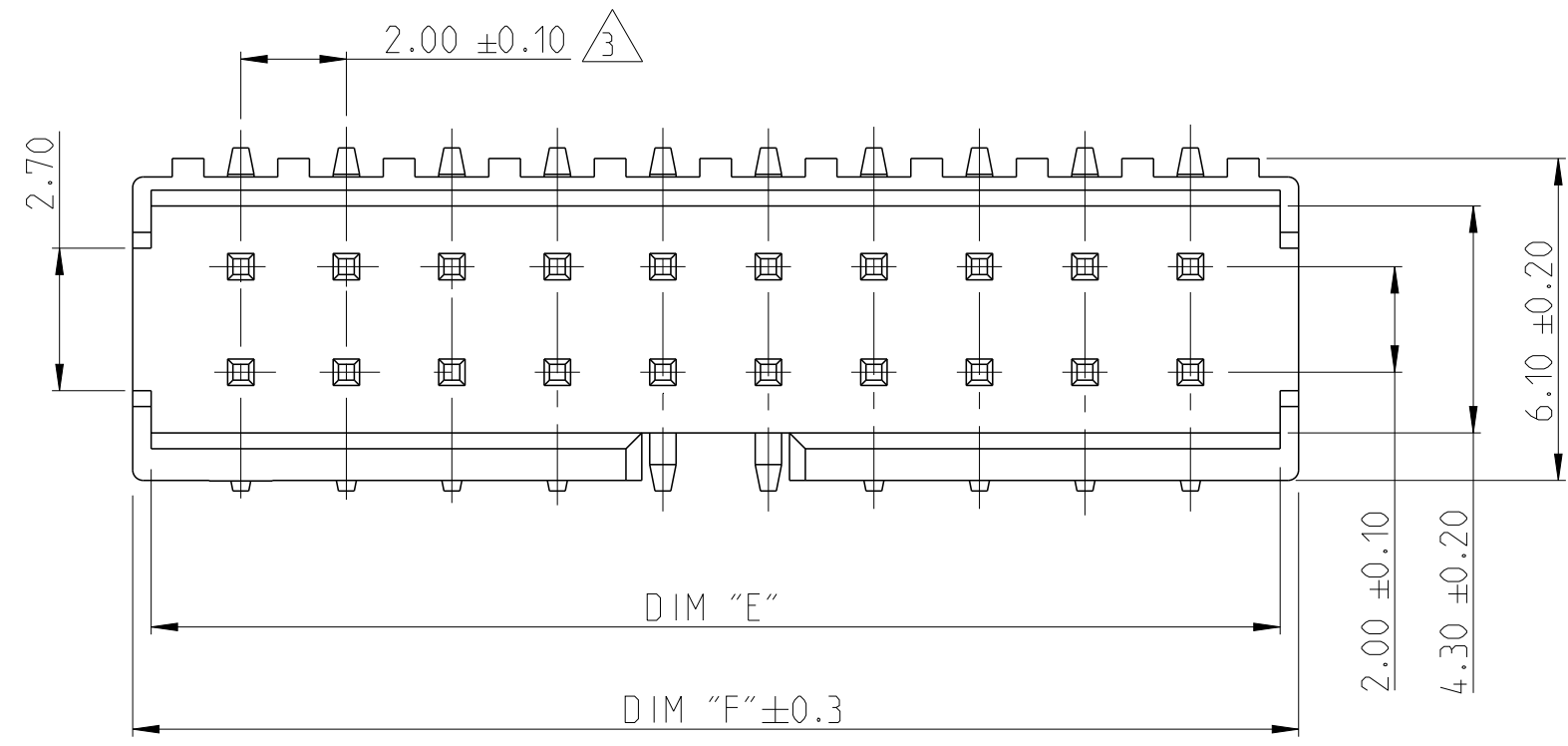


REVISIONS				
P	LTR	DESCRIPTION	DATE	APVD
	A	RELEASE TO PRODUCTION	06MAY2020	AY PS

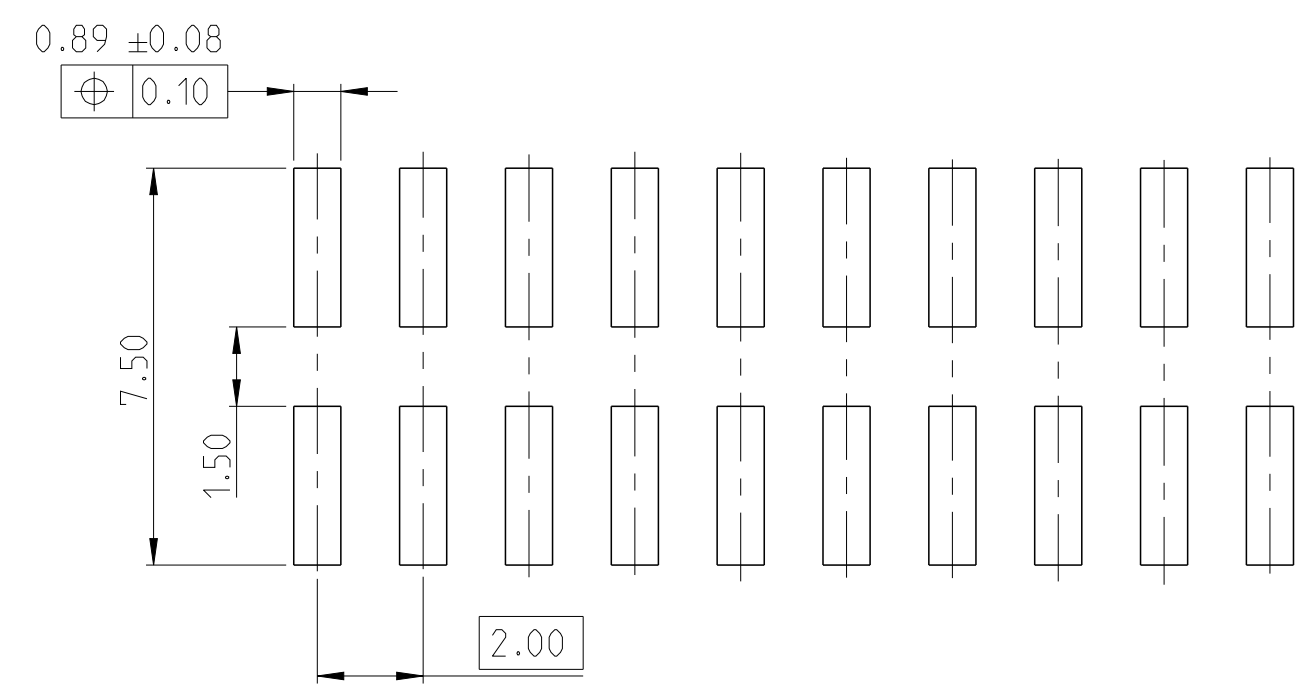


- NOTES:
- MATERIAL  
HOUSING : HIGH TEMPERATURE THERMOPLASTIC, UL94-V0; COLOR- BLACK  
POST : COPPER ALLOY  
FINISH :  
MATING SIDE: MIN. 0.38 μm GOLD OVER NICKEL UNDER PLATING.  
SOLDER SIDE: MIN. 2.0 μm TIN OVER NICKEL UNDER PLATING.
  - PACKAGING: TUBE
- △ TOLERANCE NOT CUMULATIVE.



2-2373377-0 AS SHOWN

52.10	51.40	50	5-2373377-0
50.10	49.40	48	4-2373377-8
48.10	47.40	46	4-2373377-6
46.10	45.40	44	4-2373377-4
44.10	43.40	42	4-2373377-2
42.10	41.40	40	4-2373377-0
40.10	39.40	38	3-2373377-8
38.10	37.40	36	3-2373377-6
36.10	35.40	34	3-2373377-4
34.10	33.40	32	3-2373377-2
32.10	31.40	30	3-2373377-0
30.10	29.40	28	2-2373377-8
28.10	27.40	26	2-2373377-6
26.10	25.40	24	2-2373377-4
24.10	23.40	22	2-2373377-2
22.10	21.40	20	2-2373377-0
20.10	19.40	18	1-2373377-8
18.10	17.40	16	1-2373377-6
16.10	15.40	14	1-2373377-4
14.10	13.40	12	1-2373377-2
12.10	11.40	10	1-2373377-0
10.10	9.40	8	2373377-8
8.10	7.40	6	2373377-6
DIM "F"	DIM "E"	POS.	TE PN.



RECOMMENDED PCB PATTERN

CONTACT PIN	2
HOUSING	1
DESCRIPTION	ITEM NO.

THIS DRAWING IS A CONTROLLED DOCUMENT.		DWN 11NOV2019 ANKIT YADAV
		CHK 25NOV2019 KARTHIK JK
		APVD 27NOV2019 PRASHANTH S.
DIMENSIONS: mm		PRODUCT SPEC
TOLERANCES UNLESS OTHERWISE SPECIFIED:		108-64040
0 PLC ±		APPLICATION SPEC
1 PLC ±		114-32259
2 PLC ±0.25		WEIGHT
3 PLC ±		-
4 PLC ±		CUSTOMER DRAWING
ANGLES ±2°		
FINISH		
SEE NOTES		
-		

<b>STE</b> TE Connectivity			
NAME AMPMODU 2mm SHROUDED HEADER DUAL ROW, VERTICAL SMD, 0.38 Au,TUBE			
SIZE	CAGE CODE	DRAWING NO	RESTRICTED TO
A2	00779	C-2373377	-
SCALE	SHEET	OF	REV
5:1	1	1	A

# Mouser Electronics

Authorized Distributor

Click to View Pricing, Inventory, Delivery & Lifecycle Information:

[TE Connectivity:](#)

[4-2373377-0](#)