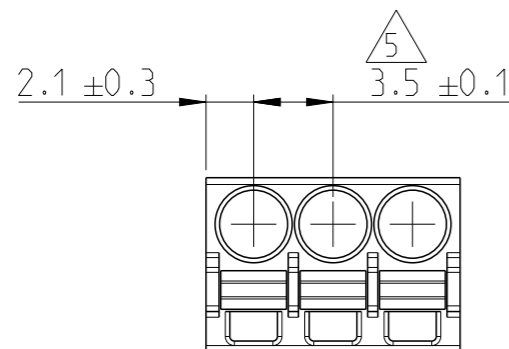
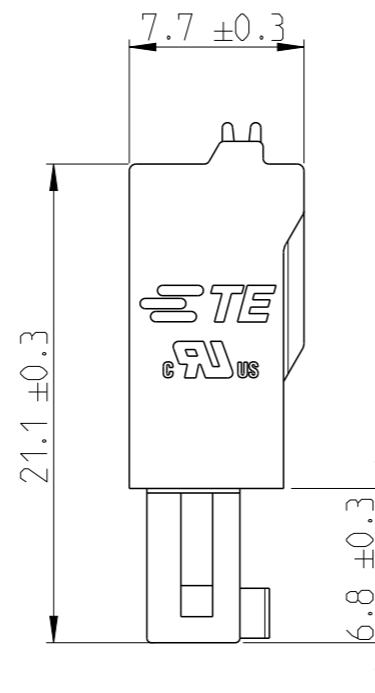
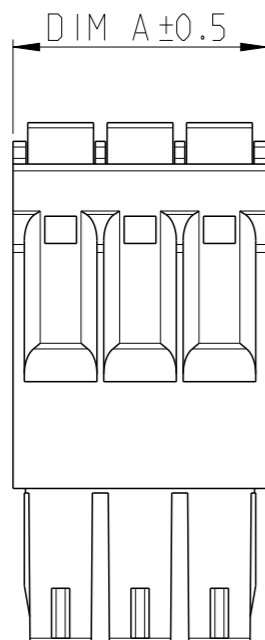


P	LTR	DESCRIPTION	DATE	DWN	APVD
A		RELEASED FOR PRODUCTION	06AUG2019	RK	PS

1:1



NOTES:

- MATERIALS & FINISH  
 HOUSING : PA66, UL94 V0, COLOR - GREEN  
 PUSH BUTTON : PA66, COLOR - ORANGE.  
 CONTACT : COPPER ALLOY, TIN PLATED  
 SPRING : STAINLESS STEEL
- MECHANICAL  
 WIRE STRIPPING LENGTH : 9.0-10.0 mm
- ELECTRICAL  
 WIRE RANGE : 16-24 AWG  
 RATED VOLTAGE : 150V  
 RATED CURRENT : 8A  
 INSULATION RESISTANCE : >2000 M Ohm (500V DC)
- OPERATING TEMPERATURE RANGE : -40°C TO +105°C

△5 TOLERANCE NOT CUMULATIVE

56.7	16	1-2350398-6
53.2	15	1-2350398-5
49.7	14	1-2350398-4
46.2	13	1-2350398-3
42.7	12	1-2350398-2
39.2	11	1-2350398-1
35.7	10	1-2350398-0
32.2	9	2350398-9
28.7	8	2350398-8
25.2	7	2350398-7
21.7	6	2350398-6
18.2	5	2350398-5
14.7	4	2350398-4
11.2	3	2350398-3
7.7	2	2350398-2
DIM A	NO. OF POS	PART NUMBER

THIS DRAWING IS A CONTROLLED DOCUMENT.		DWN 05APR2019 RAGHAVENDRA.K	TE Connectivity	
DIMENSIONS: mm		CHK 01JUL2019 KARTHIK.JK		
TOLERANCES UNLESS OTHERWISE SPECIFIED:		APVD 02JUL2019 PRASHANTH.S	NAME SPRING FEMALE PLUG, GREEN 3.50mm PITCH	
		PRODUCT SPEC -	APPLICATION SPEC -	
MATERIAL SEE NOTES		FINISH SEE NOTES	WEIGHT -	RESTRICTED TO -
-		CUSTOMER DRAWING		SCALE 3:1 SHEET 1 OF 1 REV A

# Mouser Electronics

Authorized Distributor

Click to View Pricing, Inventory, Delivery & Lifecycle Information:

[TE Connectivity:](#)

[1-2350398-4](#)