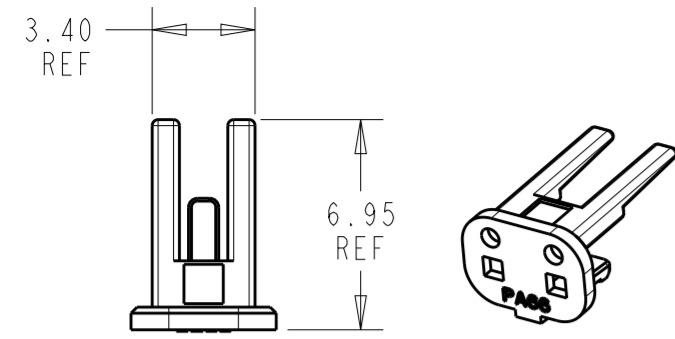
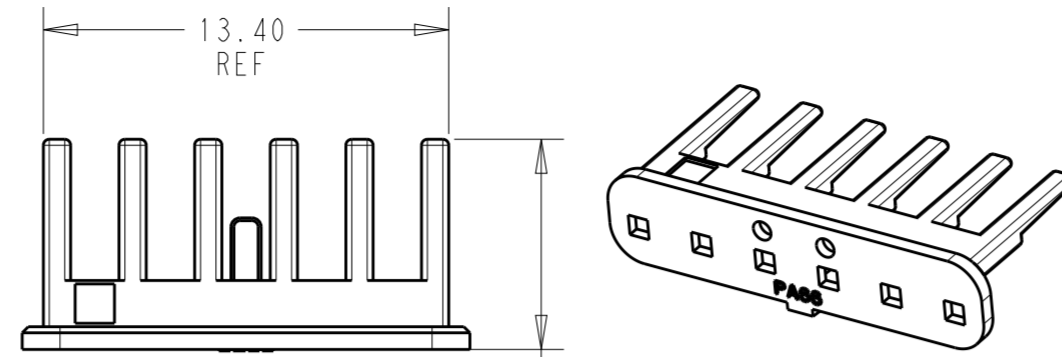
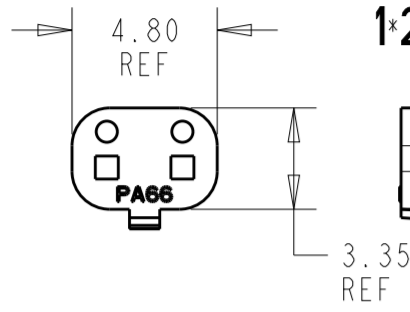


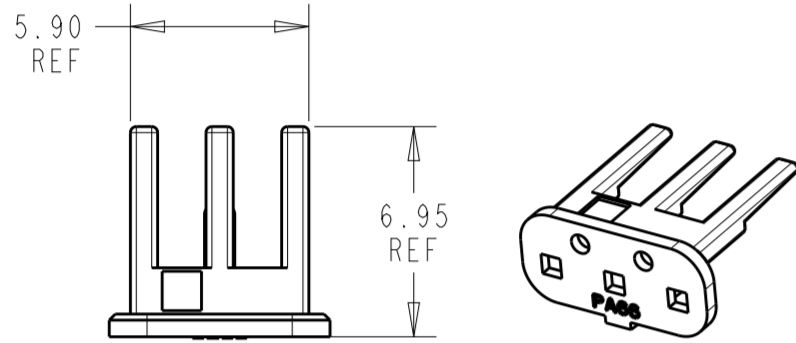
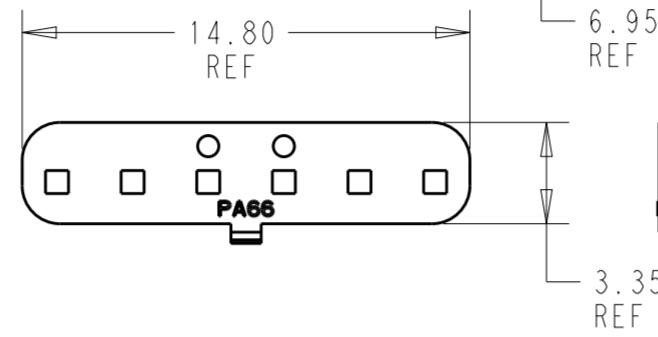
REVISIONS				
P	LTR	DESCRIPTION	DATE	APVD
	A	RELEASED PER ECO-20-000545	13JAN2020	BKW SF



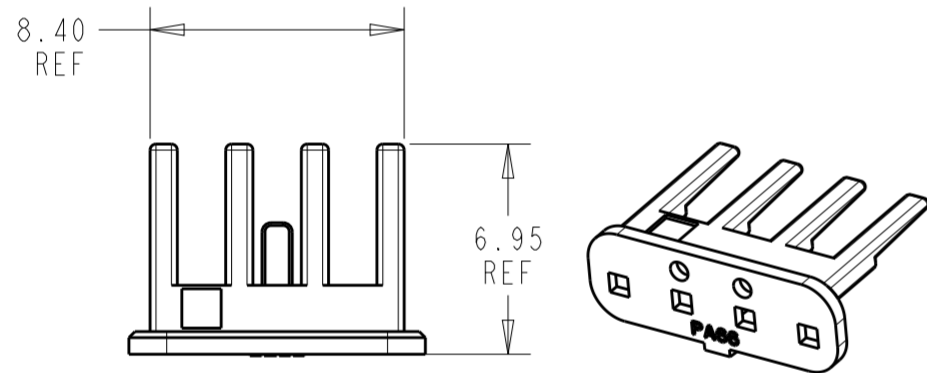
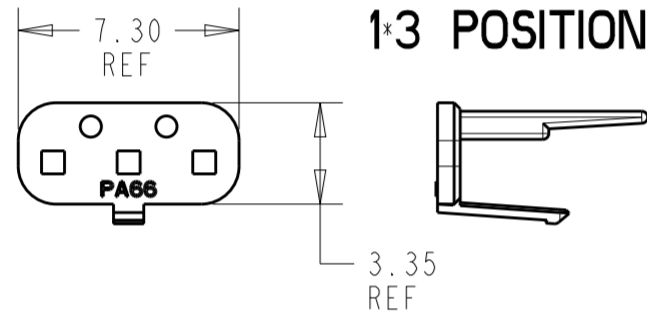
1x2 POSITION



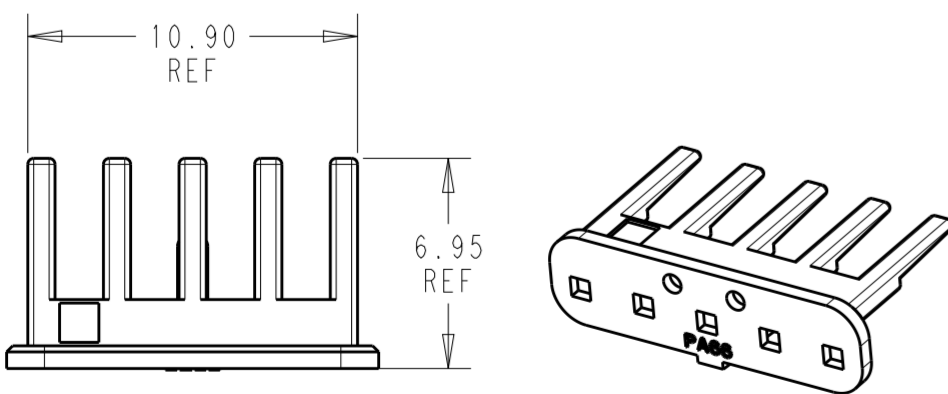
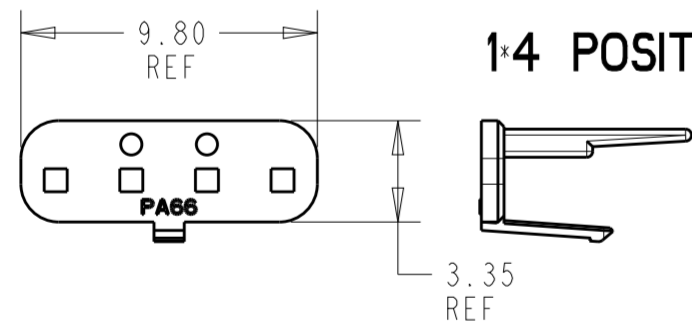
1x6 POSITION



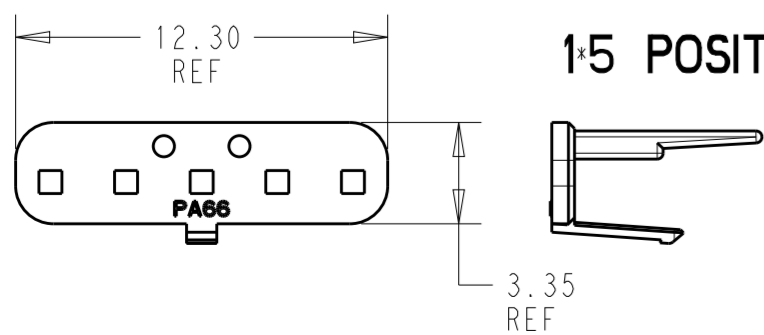
1x3 POSITION



1x4 POSITION



1x5 POSITION



⚠ MATERIAL: NYLON
COLOR: BLACK

2. MATING CONNECTOR P/N'S:
RECEPTACLE HSG: 2321926-*/2321924-*/*-2329544-*

1*6	2321927-6
1*5	2321927-5
1*4	2321927-4
1*3	2321927-3
1*2	2321927-2
POSITIONS	PART NUMBER

THIS DRAWING IS A CONTROLLED DOCUMENT.		DWN B. WEAVER 01FEB2019	TE Connectivity	
DIMENSIONS: mm		CHK C. YI 01FEB2019		
TOLERANCES UNLESS OTHERWISE SPECIFIED:		APVD C. YI 01FEB2019	NAME FRONT TPA, RECEPTACLE, SDL 2.5 WATERPROOF	
0 PLC ±		PRODUCT SPEC -	SIZE A2	
1 PLC ±		APPLICATION SPEC -	CAGE CODE 00779	DRAWING NO C-2321927
2 PLC ±		WEIGHT -	RESTRICTED TO -	
3 PLC ±		CUSTOMER DRAWING	SCALE 4:1	SHEET 1 OF 1
4 PLC ±				REV A
ANGLES ±				
FINISH -				
MATERIAL ⚠				

Mouser Electronics

Authorized Distributor

Click to View Pricing, Inventory, Delivery & Lifecycle Information:

[TE Connectivity:](#)

[2321927-6](#)