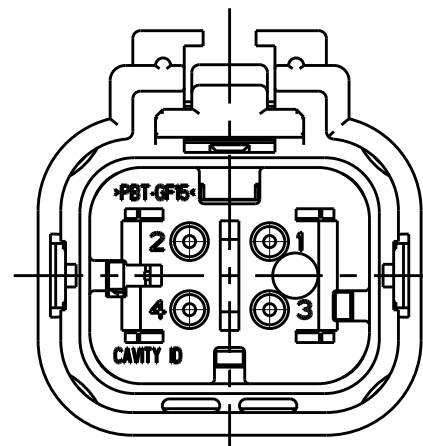
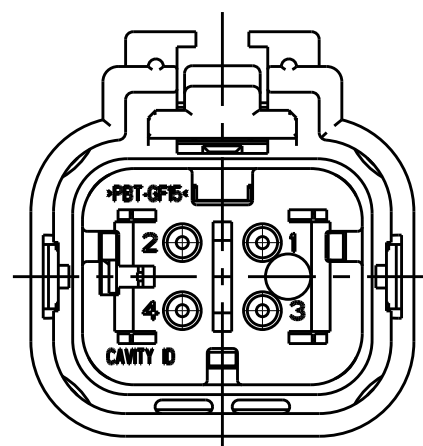
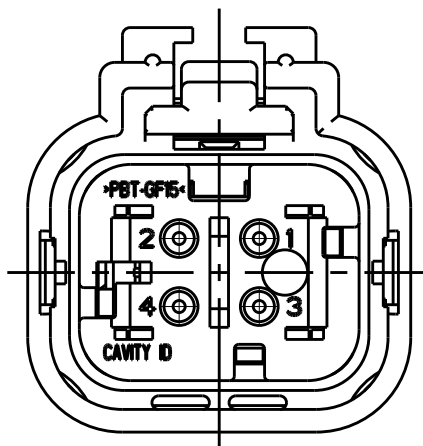
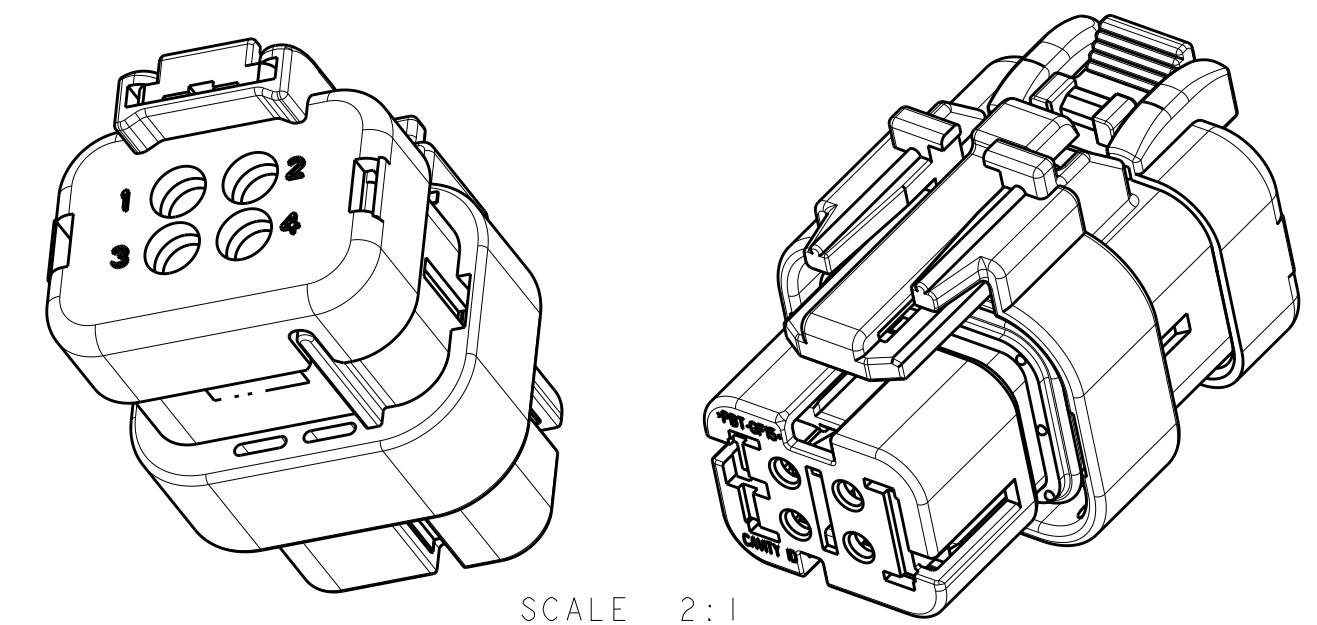
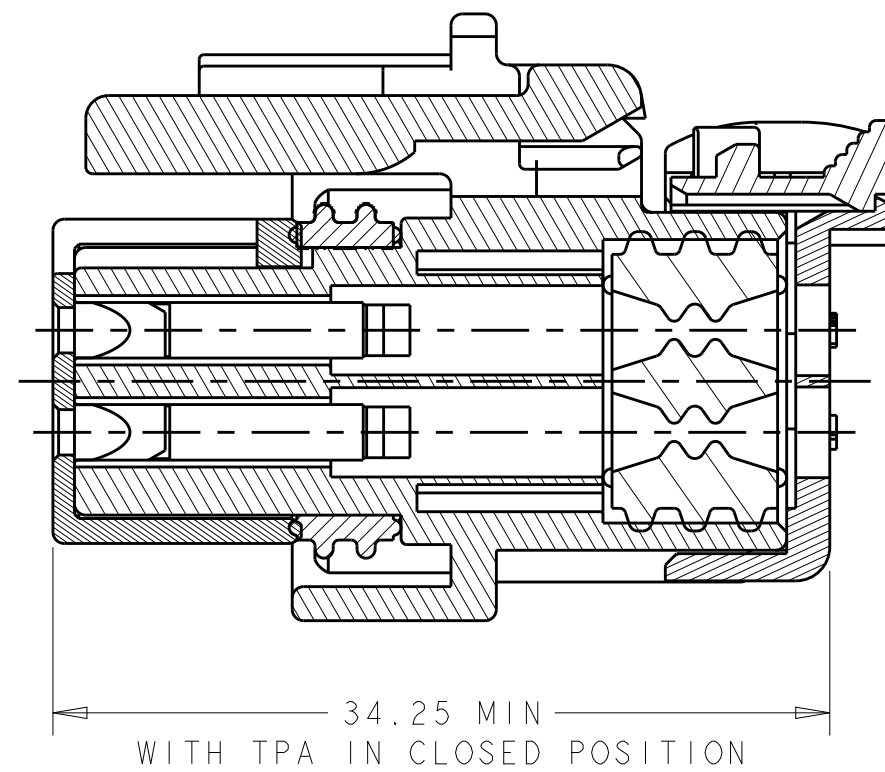
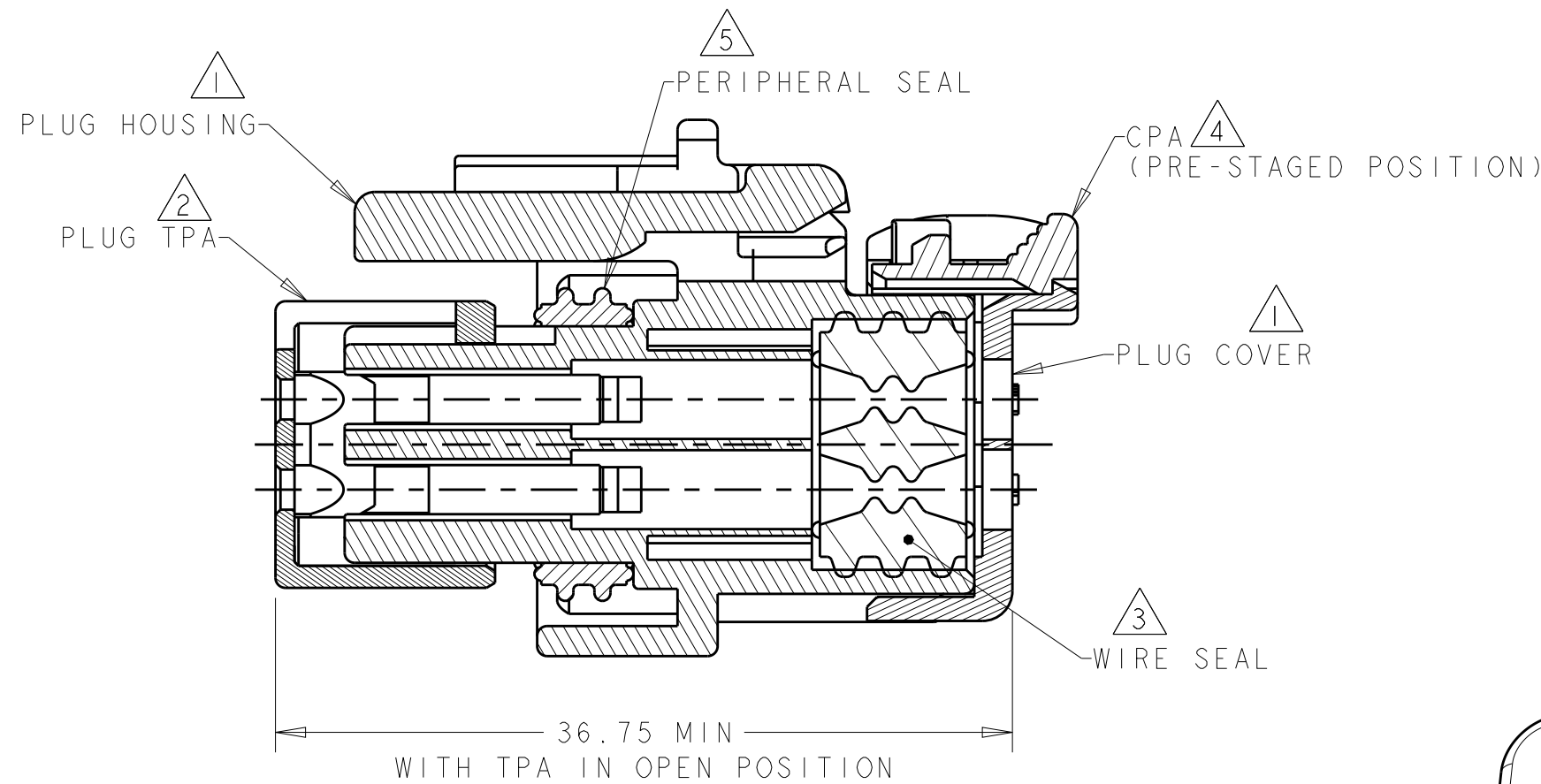
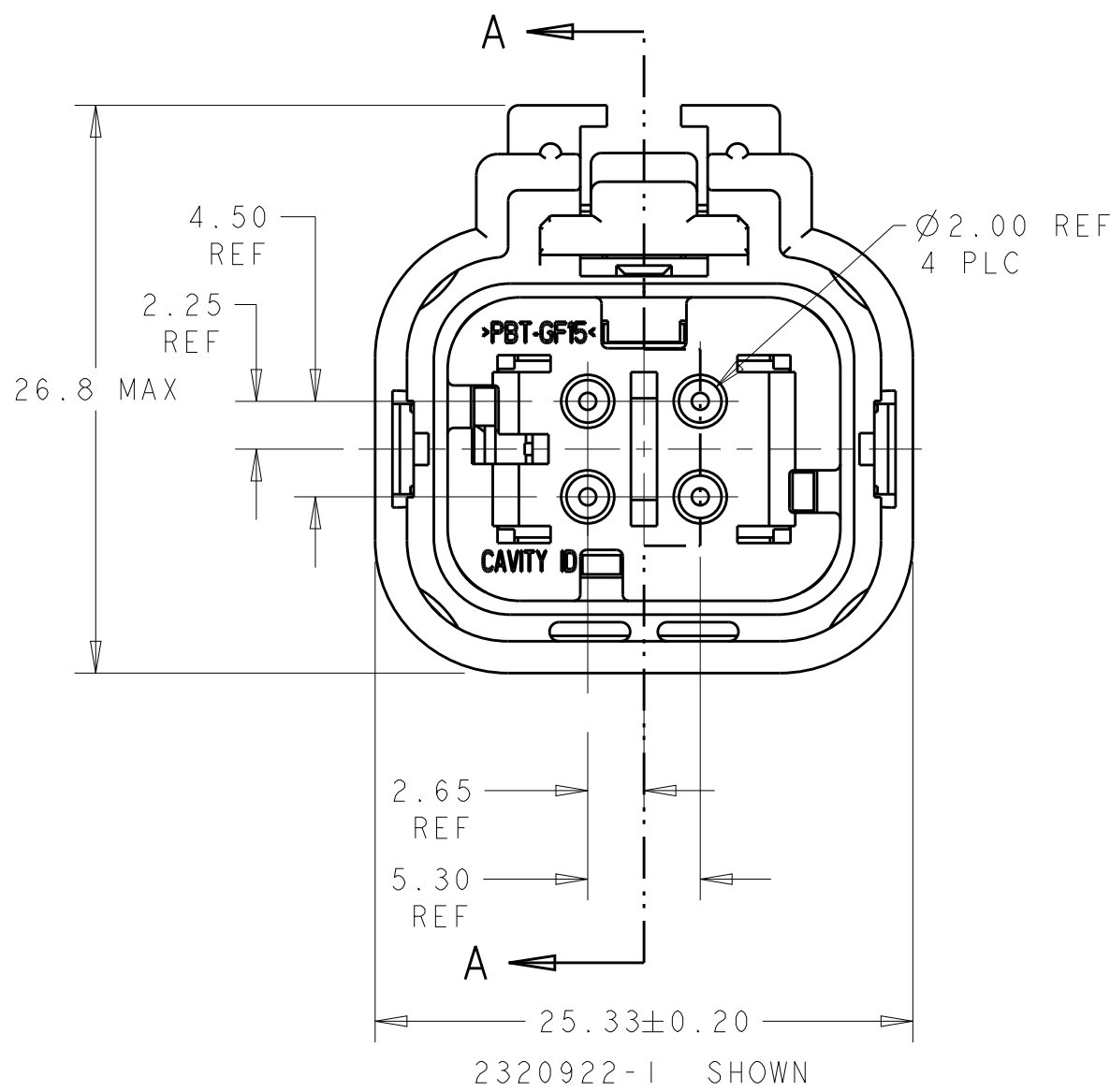


THIS DRAWING IS UNPUBLISHED. RELEASED FOR PUBLICATION. ALL RIGHTS RESERVED.

REVISIONS					
P	LTR	DESCRIPTION	DATE	DWN	APVD
A		REL PER ECO-18-014654	06SEP2018	JM	RB
AI		REV PER ECO-18-016694	18OCT2018	JM	RB



- 1 MATERIAL: 15% FIBERGLASS REINFORCED PBT  
COLOR: GRAY
  - 2 MATERIAL: 15% FIBERGLASS REINFORCED PBT  
COLOR: (SEE TABLE)
  - 3 MATERIAL: SILICONE  
COLOR: RUST
  - 4 MATERIAL: 15% FIBERGLASS REINFORCED PBT  
COLOR: ORANGE
  - 5 MATERIAL: SILICONE  
COLOR: TAN
6. RECOMMENDED WIRE DIAMETER RANGE IS 1.30 TO 2.54mm.
7. RECOMMENDED BACKSHELLS:
- STRAIGHT EXIT:
- A. 2292799-1 SMOOTH WIRE EXIT
  - B. 2292799-2 NCI6/NWI3 CONDUIT WIRE EXIT
  - C. 2292799-3 NCI2/NWI0 CONDUIT WIRE EXIT
- 90° EXIT:
- D. 2302492-1 SMOOTH WIRE EXIT
  - E. 2302492-2 NCI6/NWI3 CONDUIT WIRE EXIT
  - F. 2302492-3 NCI2/NWI0 CONDUIT WIRE EXIT
8. RECOMMENDED SEAL PLUG: 776363-1
9. MATING CONNECTOR: 2320928-X



D	ORANGE	2320934-4
C	PURPLE	2320934-3
B	BLUE	2320934-2
A	TAN	2320934-1
KEY	TPA COLOR	PART NUMBER

THIS DRAWING IS A CONTROLLED DOCUMENT.		DWN J. MCNEAL 03APR2018	TE Connectivity	
		CHK R. BALTER 03APR2018		
		APVD R. BALTER 03APR2018	NAME	
DIMENSIONS:		PRODUCT SPEC	PLUG ASSEMBLY, 4 POSITION	
mm		108-2184	REDUCED DIA SEAL, HIGH TEMP,	
TOLERANCES UNLESS OTHERWISE SPECIFIED:		APPLICATION SPEC	AMPSEAL 16	
0 PLC ±		114-13065	SIZE	DRAWING NO
1 PLC ±		WEIGHT	A2	C-2320934
2 PLC ±0.20		Customer Drawing	SCALE	SHEET OF
3 PLC ±			1:1	REV AI
4 PLC ±				
ANGLES				
FINISH				

# Mouser Electronics

Authorized Distributor

Click to View Pricing, Inventory, Delivery & Lifecycle Information:

[TE Connectivity:](#)

[2320934-1](#)