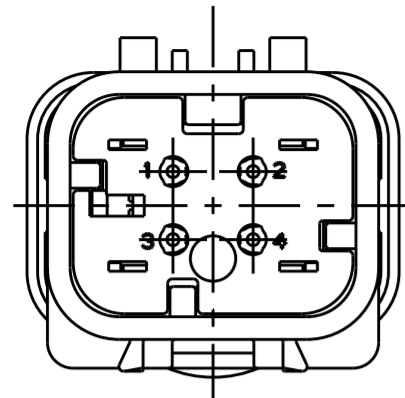
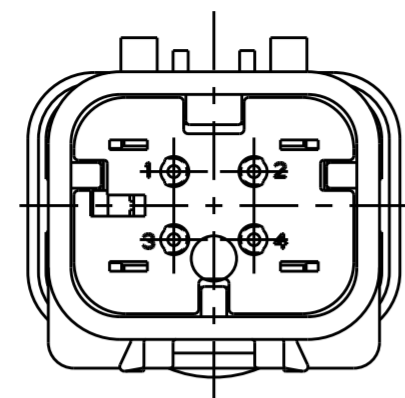


THIS DRAWING IS UNPUBLISHED
 RELEASED FOR PUBLICATION
 COPYRIGHT 20 BY - ALL RIGHTS RESERVED.

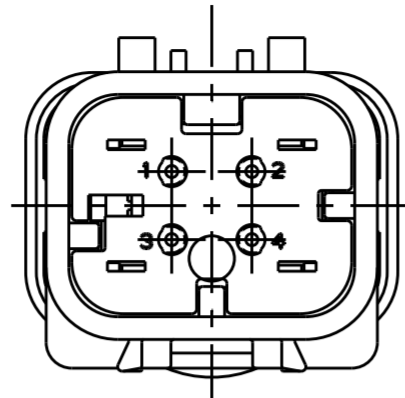
REVISIONS					
P	LTR	DESCRIPTION	DATE	DWN	APVD
A		REL PER ECO-18-014654	06SEP2018	JM	RB
AI		REV PER ECO-18-016694	18OCT2018	JM	RB



2320928-2
 SCALE 2:1
 KEY B

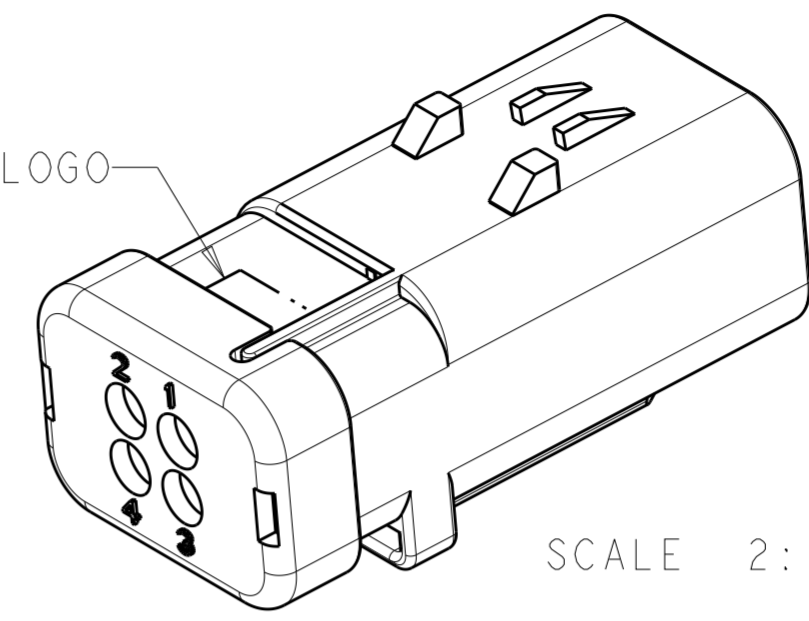


2320928-3
 SCALE 2:1
 KEY C

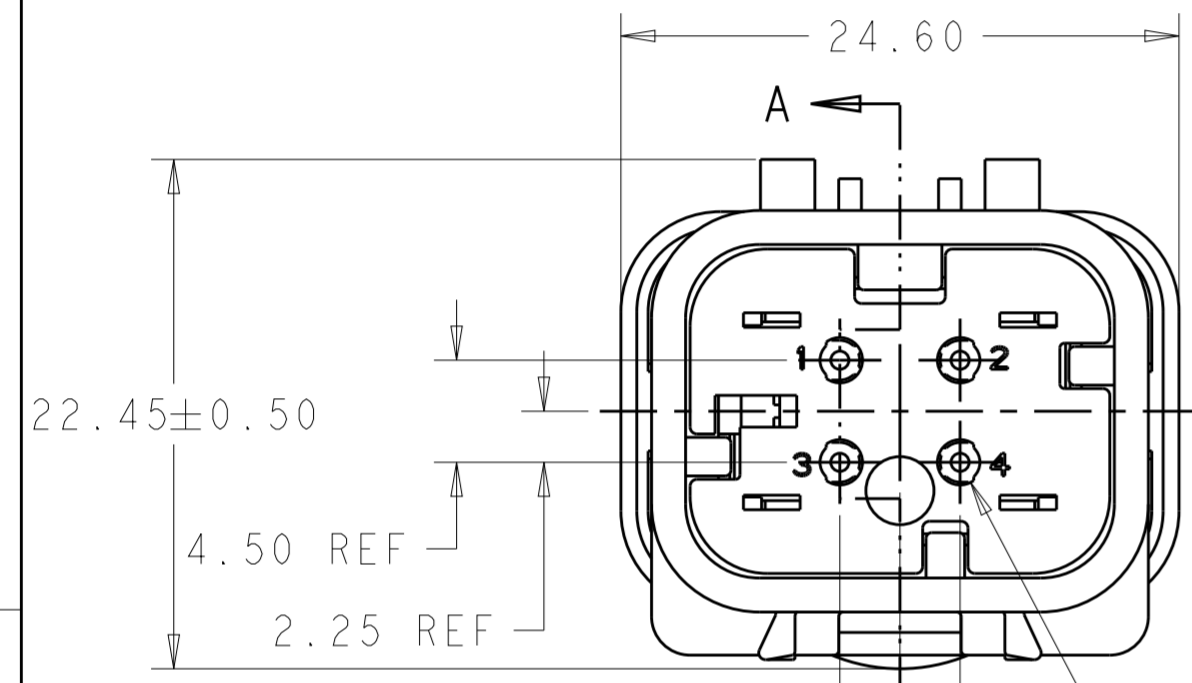
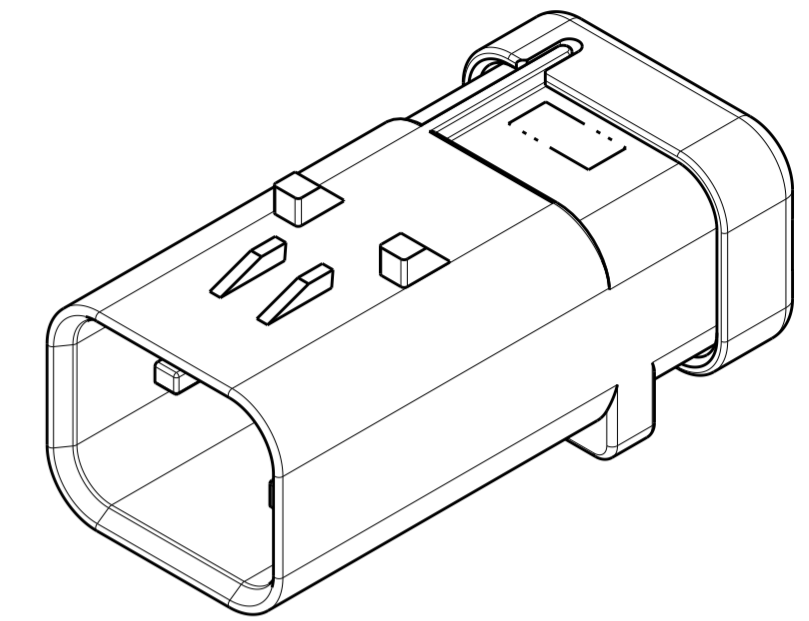


2320928-4
 SCALE 2:1
 KEY D

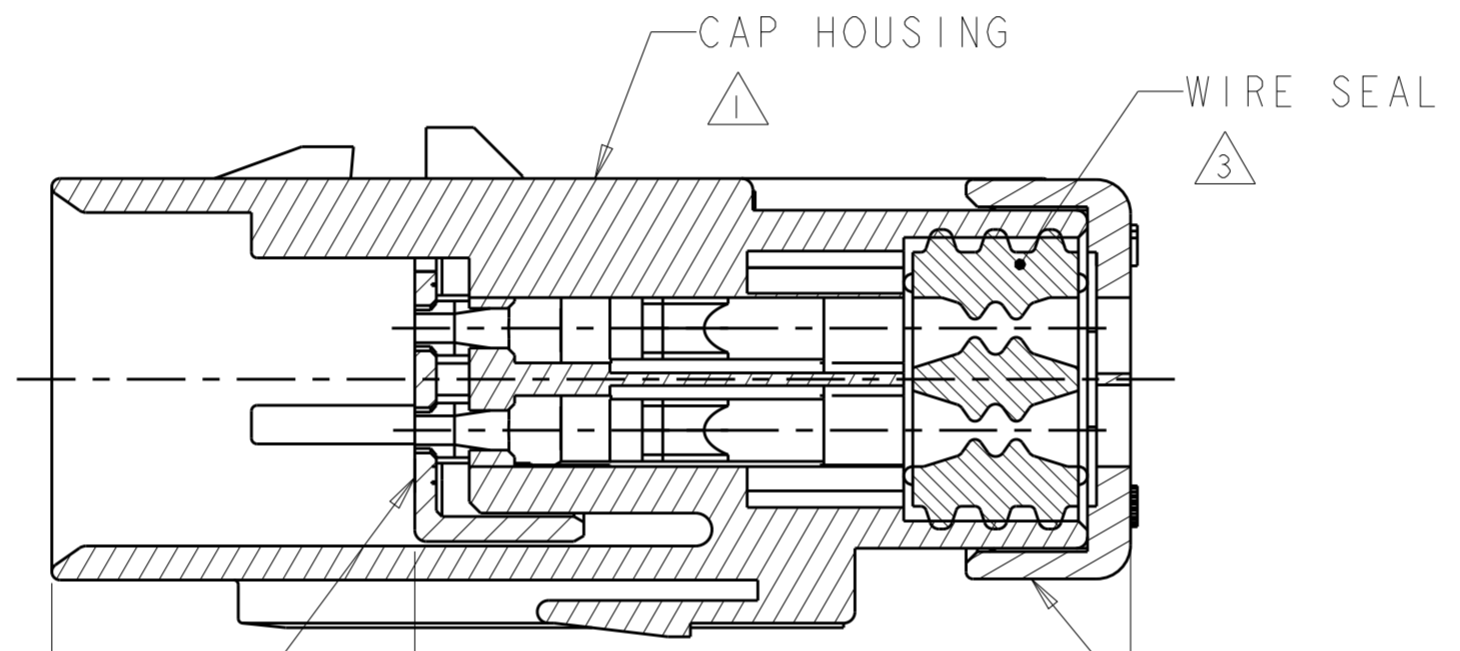
COMPANY LOGO



SCALE 2:1



2320928-1 SHOWN
 KEY A



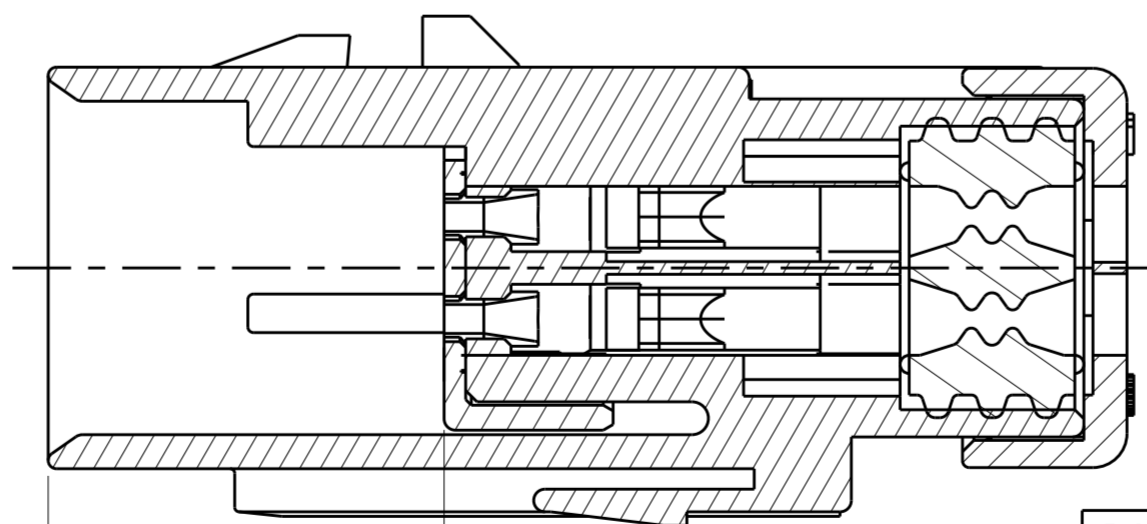
16.00 MAX WITH TPA
 IN PRE STAGED POSITION

47.55±0.60

CAP TPA

SECTION A-A

- 1 MATERIAL: 15% FIBERGLASS REINFORCED PBT
 COLOR: GRAY
- 2 MATERIAL: 15% FIBERGLASS REINFORCED PBT
 COLOR: (SEE TABLE)
- 3 MATERIAL: SILICONE
 COLOR: RUST
- 4. RECOMMENDED WIRE DIAMETER RANGE IS 1.30
 TO 2.54mm.
- 5. RECOMMENDED BACKSHELLS:
 STRAIGHT EXIT
 A. 2292862-1 SMOOTH WIRE EXIT
 B. 2292862-2 NC16/NW13 CONDUIT WIRE EXIT
 C. 2292862-3 NC12/NW10 CONDUIT WIRE EXIT
 90° EXIT
 D. 2302483-1 SMOOTH WIRE EXIT
 E. 2302483-2 NC16/NW13 CONDUIT WIRE EXIT
 F. 2302483-3 NC12/NW10 CONDUIT WIRE EXIT
- 6. RECOMMENDED SEAL PLUG: 776363-1
- 7. MATING CONNECTOR: 2320934-X.



SECTION A-A
 WITH TPA IN CLOSED POSITION

17.45

D	ORANGE	2320928-4
C	PURPLE	2320928-3
B	BLUE	2320928-2
A	TAN	2320928-1
KEY	TPA COLOR	PART NUMBER

THIS DRAWING IS A CONTROLLED DOCUMENT.		DWN J. MCNEAL 20FEB2018	TE Connectivity CAP ASSEMBLY, 4 POSITION, REDUCED DIA SEAL, HIGH TEMP, AMPSEAL 16	
DIMENSIONS: mm		CHK R. BALTER 20FEB2018		
TOLERANCES UNLESS OTHERWISE SPECIFIED:		APVD R. BALTER 20FEB2018	NAME	
0 PLC	±	PRODUCT SPEC	108-2184	
1 PLC	±	APPLICATION SPEC	114-13065	
2 PLC	±0.30	WEIGHT	14g	
3 PLC	±	Customer Drawing	SCALE 3:1 SHEET 1 OF 1 REV AI	
4 PLC	±			
ANGLES	±1°			
FINISH	-			

Mouser Electronics

Authorized Distributor

Click to View Pricing, Inventory, Delivery & Lifecycle Information:

[TE Connectivity:](#)

[2320928-4](#)