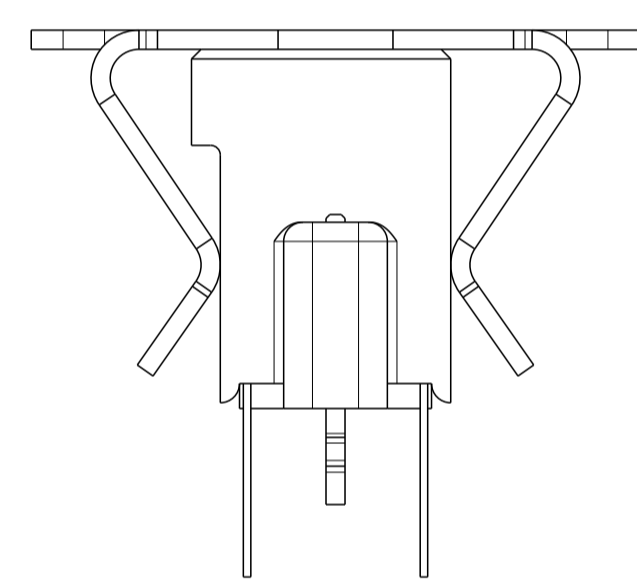
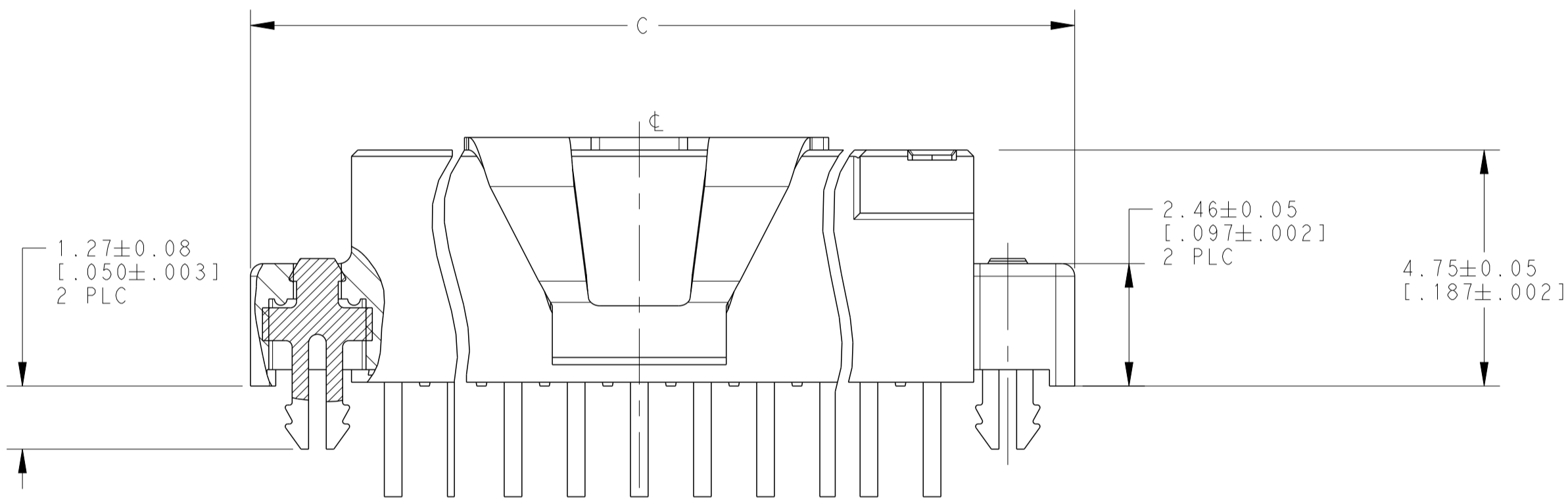
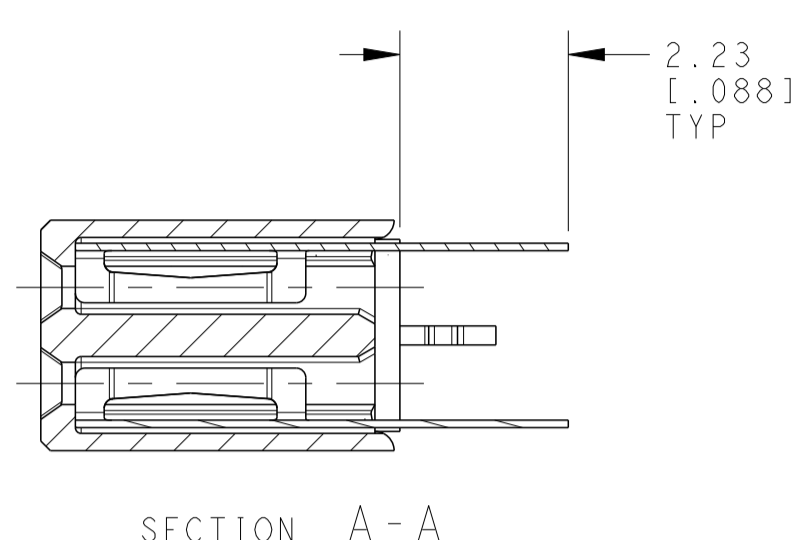
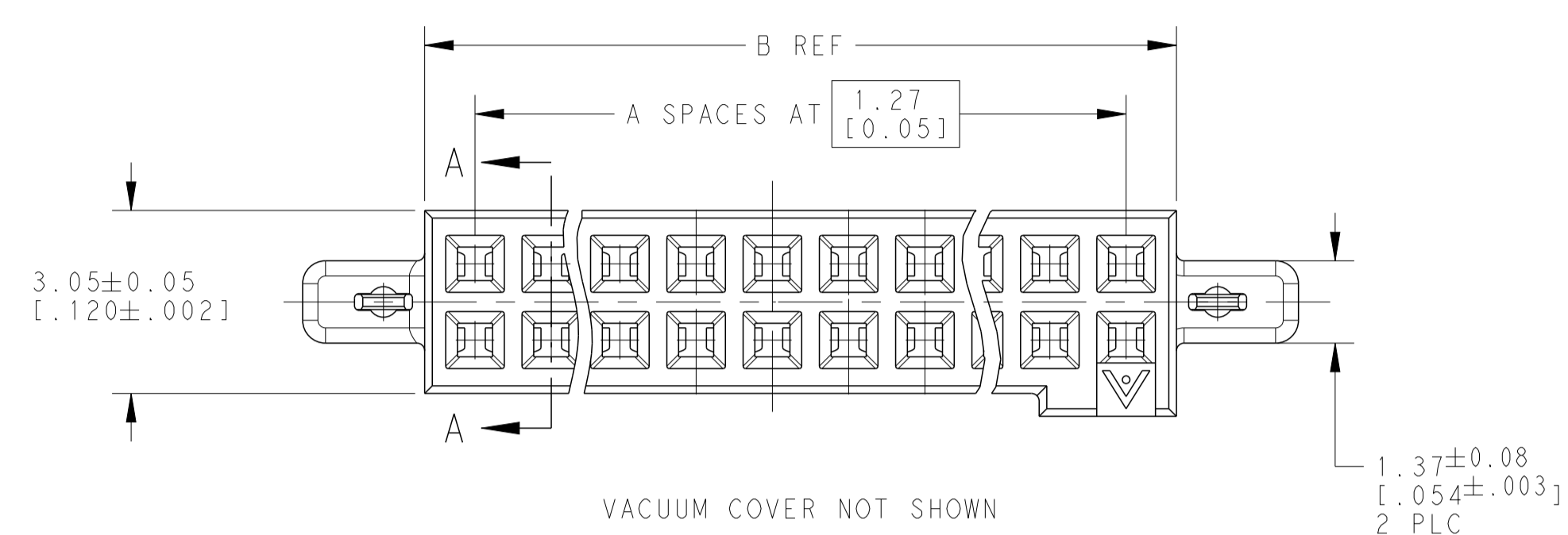
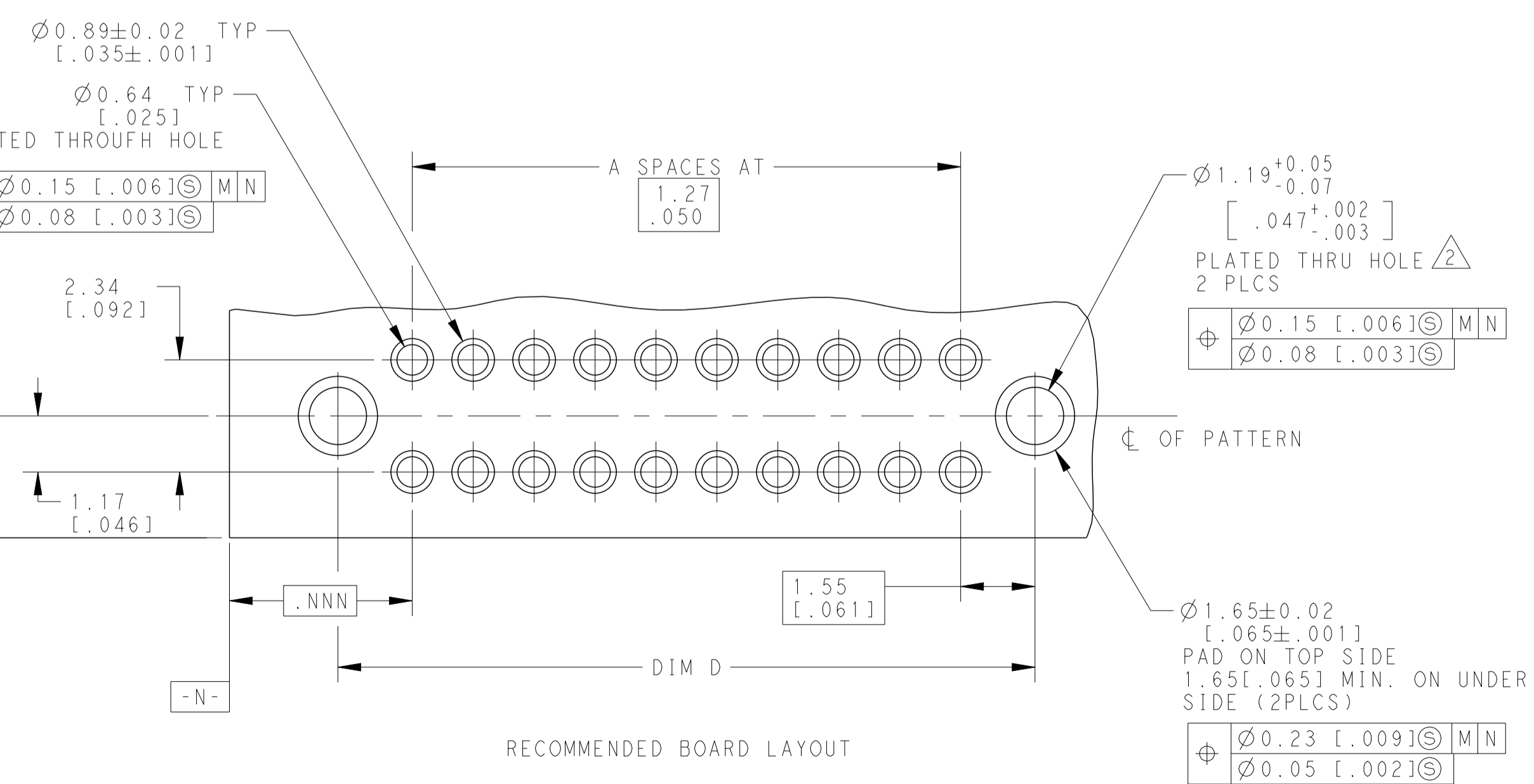


| REVISIONS |     |             |           |          |
|-----------|-----|-------------|-----------|----------|
| P         | LTN | DESCRIPTION | DATE      | OWN APVD |
| A         |     | NEW DRAWING | 04APR2019 | RS JO    |



- 1 0.00076 [.000030] GOLD IN LOCALIZED PLATE AREA 0.00381 [.000150] TIN-LEAD ON SOLDER TAILS ALL OVER 0.00127 [.000050] NICKEL
- 2 USE 1.55±0.02 [.0610±.0010] DRILLED HOLE (1.55mm DRILL). FINISH TO BE TIN/LEAD OVER 0.02 [.001] MIN COPPER.
- 3 PLATING 0.0038 [.000150] TIN-LEAD OVER 0.00127 [.000050] NICKEL HOLDDOWN.
- 4 IF PLANNING TO USE MORE THAN ONE MATING PAIR OF CONNECTORS TO INTERCONNECT 2 BOARDS PLEASE REFER TO PARA. 3.3 IN THR APPLICATION SPEC, #114-7010.
- 5 PACKED IN EIA 481 TAPE AND REEL. SEE TABLE FOR TAPE WIDTHS.
- 6 HOUSING: LCP, COLOR-BLACK, CONTACT: COPPER ALLOY  
HOLDDOWN: COPPER ALLOY  
VACCUUM COVER: ALLUMINIUM ALLOY
- 7 0.00076 [.000030] GOLD IN LOCALIZED PLATE AREA 0.00381 [.000150] TIN ON SOLDER TAILS ALL OVER 0.00127 [.000050] NICKEL.
- 8 PLATING 0.0038 [.000150] TIN OVER 0.00127 [.000050] NICKEL HOLDDOWN.
- 9 USE 1.55±0.02 [.0610±.0010] DRILLED HOLE (1.55mm DRILL). FINISH TO BE TIN/LEAD OVER 0.02 [.001] MIN COPPER.



| FINISH | TAPE WIDTH | D             | C             | B             | A  | NUMBER OF POSITIONS | PART NUMBER |
|--------|------------|---------------|---------------|---------------|----|---------------------|-------------|
| 1 8    | 88 mm      | 65.28 [2.570] | 67.97 [2.676] | 63.91 [2.516] | 49 | 100                 | 6-2267261-0 |
| 1 8    | 88 mm      | 52.93 [2.320] | 61.62 [2.426] | 57.55 [2.266] | 44 | 90                  | 5-2267261-9 |
| 1 8    | 72 mm      | 52.58 [2.070] | 55.27 [2.176] | 51.21 [2.016] | 39 | 80                  | 5-2267261-8 |
| 1 8    | 72 mm      | 46.23 [1.820] | 48.92 [1.926] | 44.86 [1.766] | 34 | 70                  | 5-2267261-7 |
| 1 8    | 72 mm      | 39.88 [1.570] | 42.57 [1.676] | 38.51 [1.516] | 29 | 60                  | 5-2267261-6 |
| 1 8    | 56 mm      | 33.53 [1.320] | 36.22 [1.426] | 32.16 [1.266] | 24 | 50                  | 5-2267261-5 |
| 1 8    | 56 mm      | 27.18 [1.070] | 29.87 [1.176] | 25.81 [1.016] | 19 | 40                  | 5-2267261-4 |
| 1 8    | 44 mm      | 20.83 [0.820] | 23.52 [0.926] | 19.46 [0.766] | 14 | 30                  | 5-2267261-3 |
| 1 8    | 32 mm      | 14.48 [0.570] | 17.17 [0.676] | 13.11 [0.516] | 9  | 20                  | 5-2267261-2 |
| 1 8    | 32 mm      | 8.12 [0.320]  | 10.82 [0.426] | 6.75 [0.266]  | 4  | 10                  | 5-2267261-1 |
| 1 3    | 88 mm      | 65.28 [2.570] | 67.97 [2.676] | 63.91 [2.516] | 49 | 100                 | 1-2267261-0 |
| 1 3    | 88 mm      | 52.93 [2.320] | 61.62 [2.426] | 57.55 [2.266] | 44 | 90                  | 2267261-9   |
| 1 3    | 72 mm      | 52.58 [2.070] | 55.27 [2.176] | 51.21 [2.016] | 39 | 80                  | 2267261-8   |
| 1 3    | 72 mm      | 46.23 [1.820] | 48.92 [1.926] | 44.86 [1.766] | 34 | 70                  | 2267261-7   |
| 1 3    | 72 mm      | 39.88 [1.570] | 42.57 [1.676] | 38.51 [1.516] | 29 | 60                  | 2267261-6   |
| 1 3    | 56 mm      | 33.53 [1.320] | 36.22 [1.426] | 32.16 [1.266] | 24 | 50                  | 2267261-5   |
| 1 3    | 56 mm      | 27.18 [1.070] | 29.87 [1.176] | 25.81 [1.016] | 19 | 40                  | 2267261-4   |
| 1 3    | 44 mm      | 20.83 [0.820] | 23.52 [0.926] | 19.46 [0.766] | 14 | 30                  | 2267261-3   |
| 1 3    | 32 mm      | 14.48 [0.570] | 17.17 [0.676] | 13.11 [0.516] | 9  | 20                  | 2267261-2   |
| 1 3    | 32 mm      | 8.12 [0.320]  | 10.82 [0.426] | 6.75 [0.266]  | 4  | 10                  | 2267261-1   |

THIS DRAWING IS A CONTROLLED DOCUMENT. DWN: RAVI.S 04APR2019  
 CHK: J. OLSON 04APR2019  
 APVD: J. OLSON 04APR2019

DIMENSIONS: mm [INCH] TOLERANCES UNLESS OTHERWISE SPECIFIED:  
 0 PLC ±  
 1 PLC ±  
 2 PLC ±  
 3 PLC ±  
 4 PLC ±  
 ANGLES ±

MATERIAL: 6 SEE TABLE FINISH: 6

NAME: ASSY, RECEPTACLE, VERT. DOUBLE ROW, THROUGH HOLE, AMPMODU 50/50 GRID CONNECTOR  
 PRODUCT SPEC: 108-1332  
 APPLICATION SPEC: 114-7010

SIZE: 100779 CAGE CODE DRAWING NO: 2267261  
 WEIGHT: -  
 RESTRICTED TO: A

SCALE: 10:1 SHEET 1 OF 1 REV A

# Mouser Electronics

Authorized Distributor

Click to View Pricing, Inventory, Delivery & Lifecycle Information:

[TE Connectivity:](#)

[5-2267261-6](#)