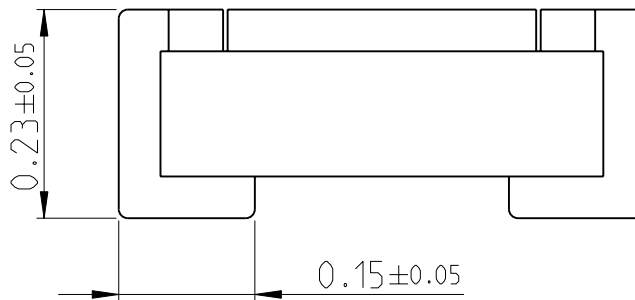
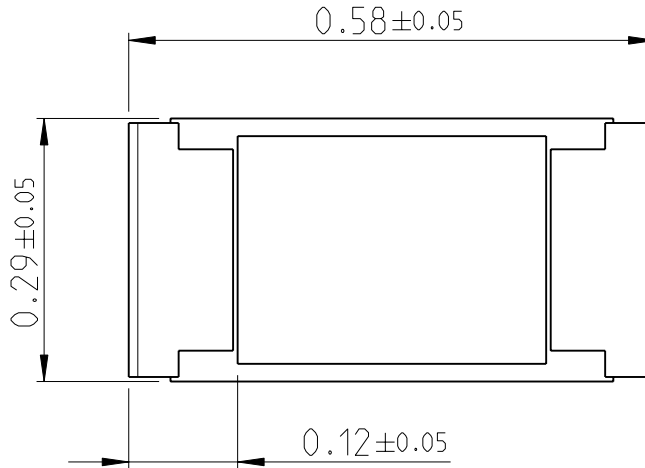
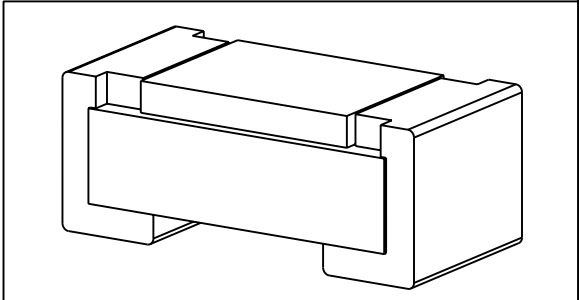


LOC	DIST	REVISIONS					
-	-	P	LTR	DESCRIPTION	DATE	DWN	APVD
		BA		NEW DRAWING	24APR2012	KR	St.P



FOR FURTHER INFORMATION SEE DATA SHEET FOR  
PRECISION THIN FILM PRECISION RESISTORS- CPF SERIES

RoHS Compliant



20

RELEASED FOR PUBLICATION

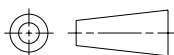
ALL RIGHTS RESERVED.

THIS DRAWING IS UNPUBLISHED.

BY -

© COPYRIGHT 20

DIMENSIONS: mm	DWN RAGHAVENDRA K	24APR2012	MATERIAL	-	FINISH	-
	CHK ALLAN P	24APR2012	TE Connectivity			
TOLERANCES UNLESS OTHERWISE SPECIFIED:	APVD STEPHEN.P	24APR2012				
	0 PLC ±	PRODUCT SPEC	SIZE	CAGE CODE	DRAWING NO	RESTRICTED TO
1 PLC ±0.5	-	A 4	00779	C-2176074	-	
2 PLC ±0.13	APPLICATION SPEC	CUSTOMER DRAWING				SCALE
3 PLC ±0.013	-	SCALE 40:1				SHEET 1 OF 1
4 PLC ±0.0001	WEIGHT 0.00014 Gram	REV BA				
ANGLES ±						



# Mouser Electronics

Authorized Distributor

Click to View Pricing, Inventory, Delivery & Lifecycle Information:

[TE Connectivity:](#)

[3-2176074-3](#)