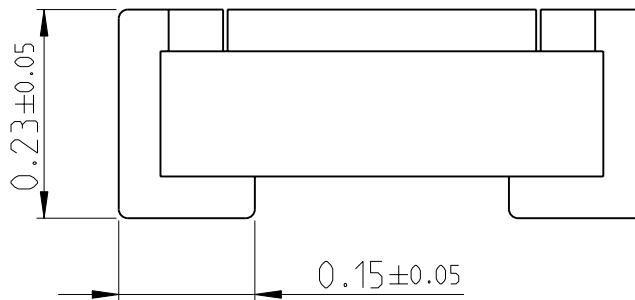
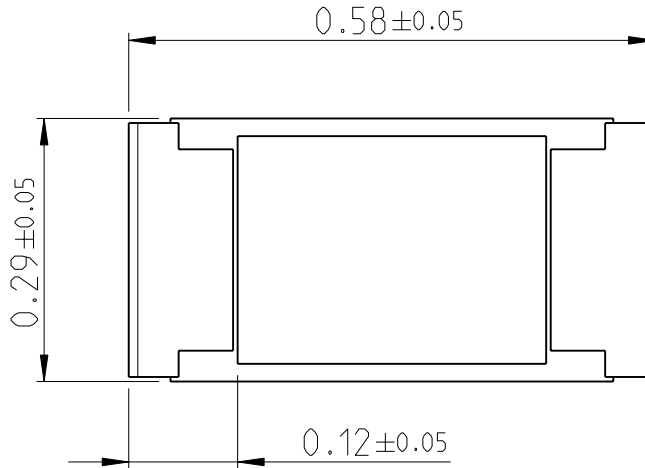
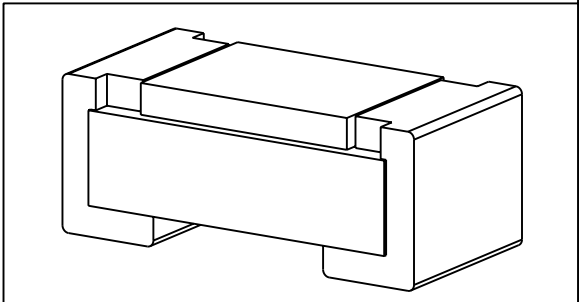


LOC	DIST	REVISIONS				
P	LTR	DESCRIPTION	DATE	DWN	APVD	
-	-	BA	NEW DRAWING	24APR2012	KR	St.P



FOR FURTHER INFORMATION SEE DATA SHEET FOR
PRECISION THIN FILM PRECISION RESISTORS- CPF SERIES

RoHS Compliant



20

RELEASED FOR PUBLICATION

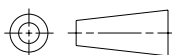
ALL RIGHTS RESERVED.

THIS DRAWING IS UNPUBLISHED.

BY -

© COPYRIGHT 20

DIMENSIONS: mm	DWN RAGHAVENDRA K	24APR2012	MATERIAL	-	FINISH	-
	CHK ALLAN P	24APR2012	 TE Connectivity			
TOLERANCES UNLESS OTHERWISE SPECIFIED:	APVD STEPHEN.P	24APR2012				
	0 PLC ±	PRODUCT SPEC	SIZE	CAGE CODE	DRAWING NO	RESTRICTED TO
1 PLC ±0.5	-	-	A 4	00779	C-2176073	-
2 PLC ±0.13	APPLICATION SPEC	-	CUSTOMER DRAWING			SCALE
3 PLC ±0.013	-	WEIGHT 0.00014 Gram	SCALE 40:1			SHEET 1 OF 1
4 PLC ±0.0001	-	-	REV BA			-
ANGLES ±	-	-	-			



Mouser Electronics

Authorized Distributor

Click to View Pricing, Inventory, Delivery & Lifecycle Information:

[TE Connectivity:](#)

[2-2176073-8](#)