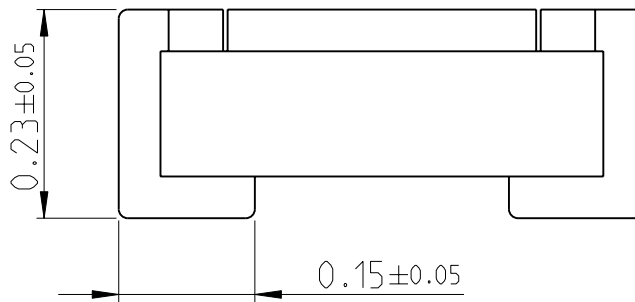
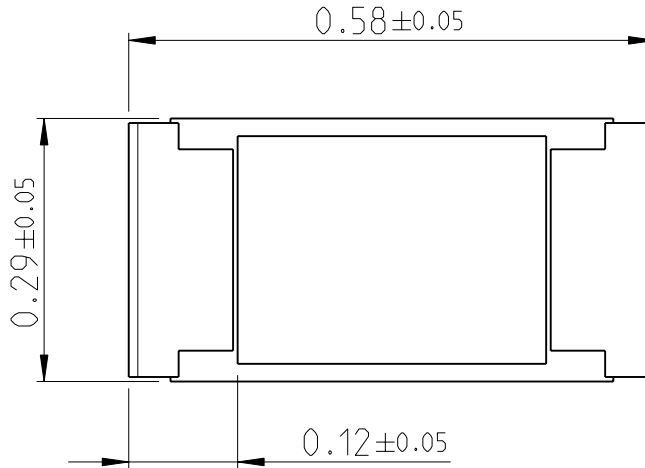
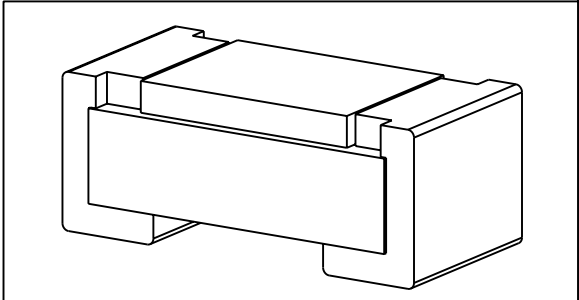


| | | | | | | | |
|-----|------|-----------|-----|-------------|-----------|-----|------|
| LOC | DIST | REVISIONS | | | | | |
| - | - | P | LTR | DESCRIPTION | DATE | DWN | APVD |
| | | BA | | NEW DRAWING | 24APR2012 | KR | St.P |



FOR FURTHER INFORMATION SEE DATA SHEET FOR
PRECISION THIN FILM PRECISION RESISTORS- CPF SERIES

RoHS Compliant



20

RELEASED FOR PUBLICATION

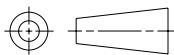
ALL RIGHTS RESERVED.

THIS DRAWING IS UNPUBLISHED.

BY -

© COPYRIGHT 20

| | | | | | | | |
|--|-------------------|------------------|--|---|------------|---------------|--------|
| DIMENSIONS: mm | DWN RAGHAVENDRA K | 24APR2012 | MATERIAL | - | FINISH | - | |
| | CHK ALLAN P | 24APR2012 |  TE Connectivity | | | | |
| TOLERANCES UNLESS OTHERWISE SPECIFIED: | APVD STEPHEN.P | 24APR2012 | | | | | |
| | 0 PLC ± | PRODUCT SPEC | NAME | THIN FILM PRECISION RESISTORS TYPE CPF 0201 SERIES | | | |
| 1 PLC ±0.5 | - | APPLICATION SPEC | SIZE | CAGE CODE | DRAWING NO | RESTRICTED TO | |
| 2 PLC ±0.13 | - | - | A 4 | 00779 | C-2176073 | - | |
| 3 PLC ±0.013 | WEIGHT | 0.00014 Gram | SCALE | | 40:1 | SHEET | 1 OF 1 |
| 4 PLC ±0.0001 | CUSTOMER DRAWING | | REV | | BA | | |
| ANGLES ± | | | | | | | |



Mouser Electronics

Authorized Distributor

Click to View Pricing, Inventory, Delivery & Lifecycle Information:

[TE Connectivity:](#)

[2176073-1](#)