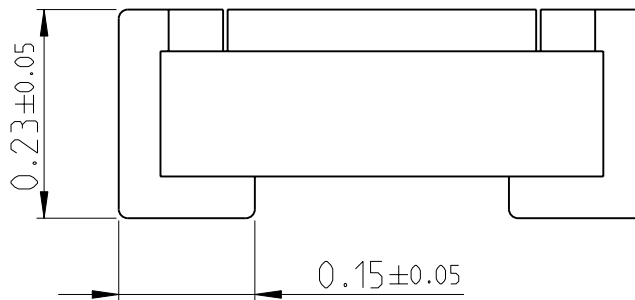
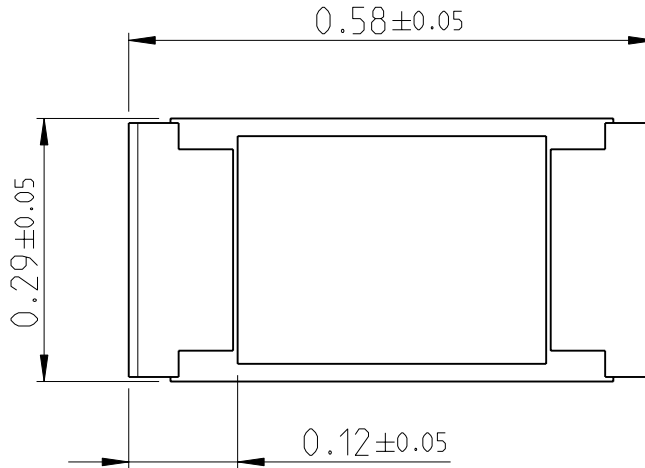
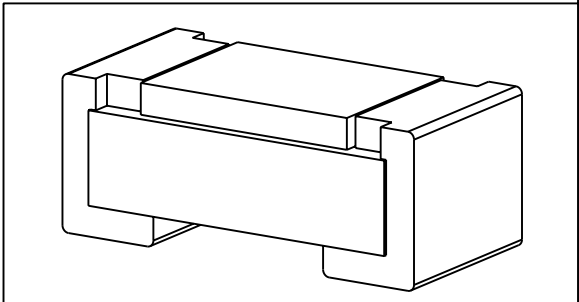


| | | | | | | | |
|-----|------|-----------|-----|-------------|-----------|-----|------|
| LOC | DIST | REVISIONS | | | | | |
| - | - | P | LTR | DESCRIPTION | DATE | DWN | APVD |
| | | BA | | NEW DRAWING | 24APR2012 | KR | St.P |



FOR FURTHER INFORMATION SEE DATA SHEET FOR PRECISION THIN FILM PRECISION RESISTORS- CPF SERIES

RoHS Compliant



20

RELEASED FOR PUBLICATION

ALL RIGHTS RESERVED.

THIS DRAWING IS UNPUBLISHED.

BY -

© COPYRIGHT 20

| | | | | |
|---|-----------------------------------|--|--------------|------------|
| DIMENSIONS: mm | DWN RAGHAVENDRA K 24APR2012 | MATERIAL | FINISH | |
| TOLERANCES UNLESS OTHERWISE SPECIFIED: | CHK ALLAN P 24APR2012 |  TE Connectivity | | |
| 0 PLC ± | APVD STEPHEN.P 24APR2012 | | | |
| 1 PLC ±0.5 | PRODUCT SPEC | NAME THIN FILM PRECISION RESISTORS TYPE CPF 0201 SERIES | | |
| 2 PLC ±0.13 | APPLICATION SPEC | SIZE | CAGE CODE | DRAWING NO |
| 3 PLC ±0.013 | | A 4 | 00779 | C-2176072 |
| 4 PLC ±0.0001 | WEIGHT 0.00014 Gram | RESTRICTED TO | | |
| ANGLES ± | | - | | |
|   | CUSTOMER DRAWING | SCALE 40:1 | SHEET 1 OF 1 | REV BA |

Mouser Electronics

Authorized Distributor

Click to View Pricing, Inventory, Delivery & Lifecycle Information:

[TE Connectivity:](#)

[6-2176072-3](#)