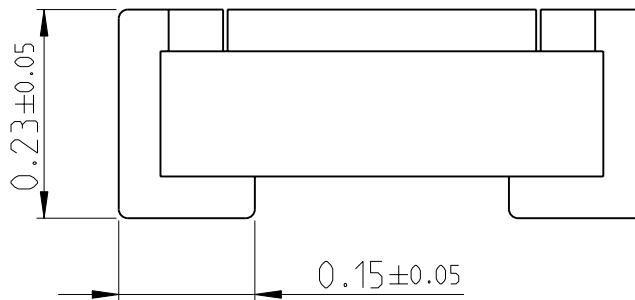
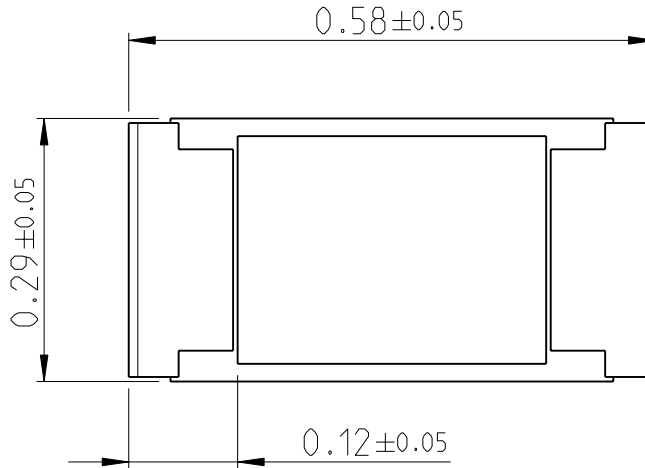
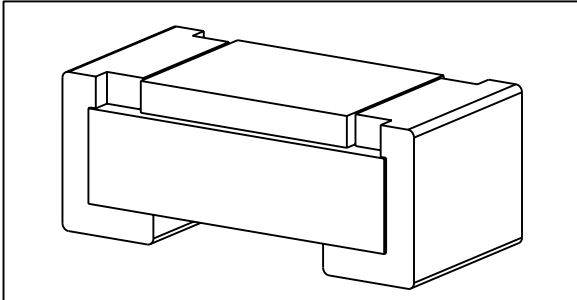


LOC	DIST	REVISIONS					
-	-	P	LTR	DESCRIPTION	DATE	DWN	APVD
		BA		NEW DRAWING	24APR2012	KR	St.P



FOR FURTHER INFORMATION SEE DATA SHEET FOR
PRECISION THIN FILM PRECISION RESISTORS- CPF SERIES

RoHS Compliant



20

RELEASED FOR PUBLICATION

ALL RIGHTS RESERVED.

THIS DRAWING IS UNPUBLISHED.

BY -

© COPYRIGHT 20

DIMENSIONS: mm	DWN RAGHAVENDRA K 24APR2012	MATERIAL	FINISH	
TOLERANCES UNLESS OTHERWISE SPECIFIED:	CHK ALLAN P 24APR2012	TE Connectivity		
0 PLC ±	APVD STEPHEN.P 24APR2012			
1 PLC ±0.5	PRODUCT SPEC	NAME THIN FILM PRECISION RESISTORS TYPE CPF 0201 SERIES		
2 PLC ±0.13	APPLICATION SPEC	SIZE	CAGE CODE	DRAWING NO
3 PLC ±0.013		A 4	00779	C-2176072
4 PLC ±0.0001	WEIGHT 0.00014 Gram	RESTRICTED TO		
ANGLES ±		-		
	CUSTOMER DRAWING	SCALE 40:1	SHEET 1 OF 1	REV BA

Mouser Electronics

Authorized Distributor

Click to View Pricing, Inventory, Delivery & Lifecycle Information:

[TE Connectivity:](#)

[8-2176072-8](#)