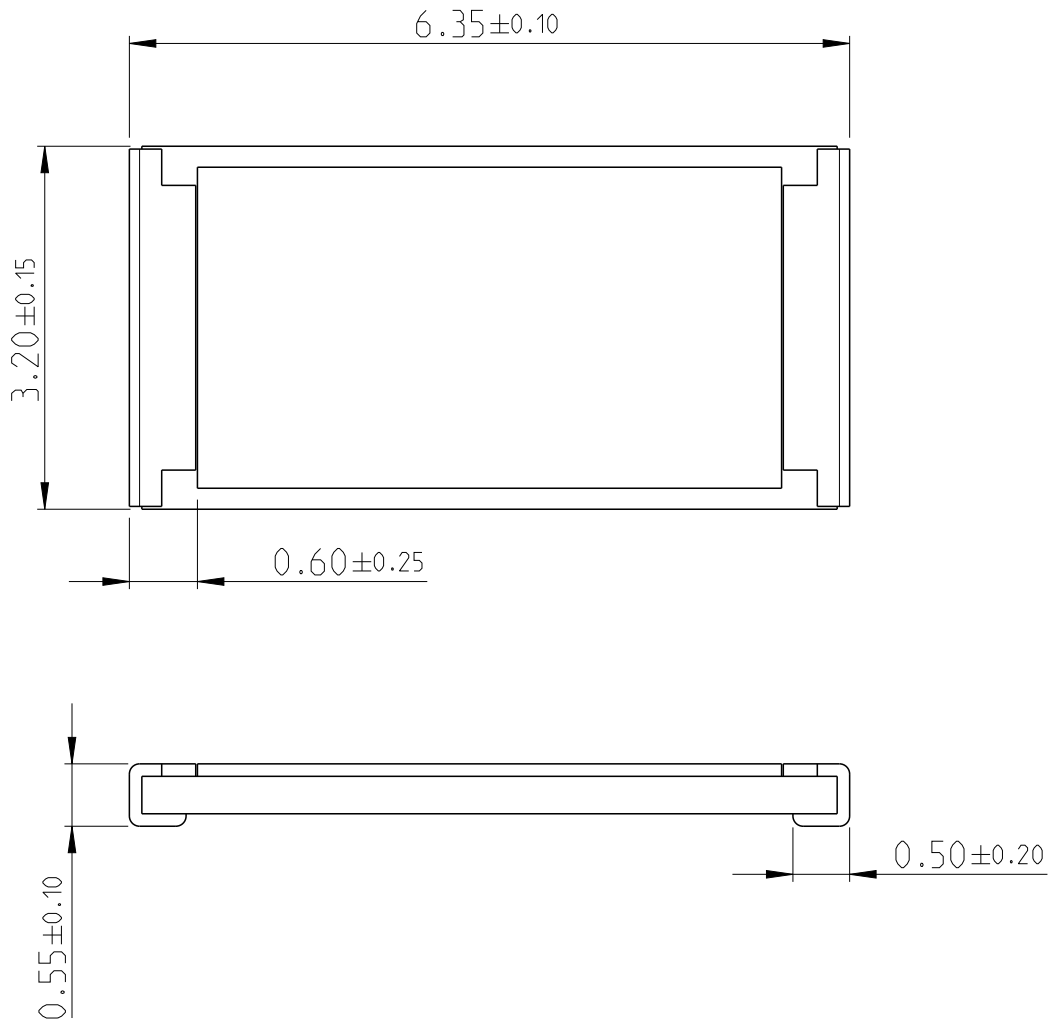
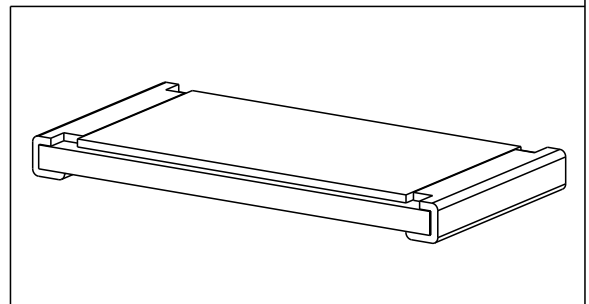
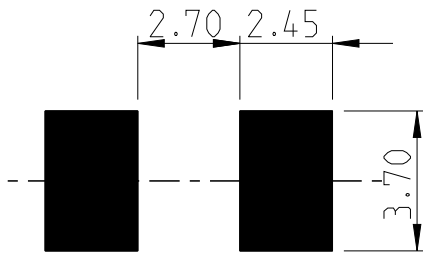


|     |      |           |     |               |           |     |      |
|-----|------|-----------|-----|---------------|-----------|-----|------|
| LOC | DIST | REVISIONS |     |               |           |     |      |
| -   | -    | P         | LTR | DESCRIPTION   | DATE      | DWN | APVD |
|     |      | BC        |     | ECR-16-000748 | 18JAN2016 | KR  | TN   |





FOR FURTHER INFORMATION SEE DATA SHEET FOR 3521 SERIES

RoHS Compliant



PDB LAYOUT PLAN

20  
 RELEASED FOR PUBLICATION  
 ALL RIGHTS RESERVED.  
 BY -  
 THIS DRAWING IS UNPUBLISHED.  
 © COPYRIGHT 20

|   |                  |              |  |           |            |               |    |     |
|---|------------------|--------------|--|-----------|------------|---------------|----|-----|
| DIMENSIONS:   | DWN              | 15MAR2012    | MATERIAL   | FINISH    |            |               |    |     |
| mm  | DARSHAN MS       |              | -  | -         |            |               |    |     |
| TOLERANCES UNLESS OTHERWISE SPECIFIED:  | CHK              | 15MAR2012    |  TE Connectivity |           |            |               |    |     |
| 0 PLC ±   | ALLAN P          |              |  |           |            |               |    |     |
| 1 PLC ±0.5  | APVD             | 15MAR2012    | NAME<br>SMD POWER<br>RESISTORS - TYPE 3521 SERIES  |           |            |               |    |     |
| 2 PLC ±0.13   | STEPHEN.P        |              |  |           |            |               |    |     |
| 3 PLC ±0.013  | PRODUCT SPEC     |              | SIZE   | CAGE CODE | DRAWING NO | RESTRICTED TO |    |     |
| 4 PLC ±0.0001   | APPLICATION SPEC |              | A 4  | 00779     | C-2176070  | -             |    |     |
| ANGLES ±  | WEIGHT           | 0.03806 Gram | Customer Drawing   |           | SCALE      | SHEET         | OF | REV |
|  |                  |              |  |           | 40:1       | 1             | 1  | BC  |

# Mouser Electronics

Authorized Distributor

Click to View Pricing, Inventory, Delivery & Lifecycle Information:

[TE Connectivity:](#)

[2-2176070-9](#)