

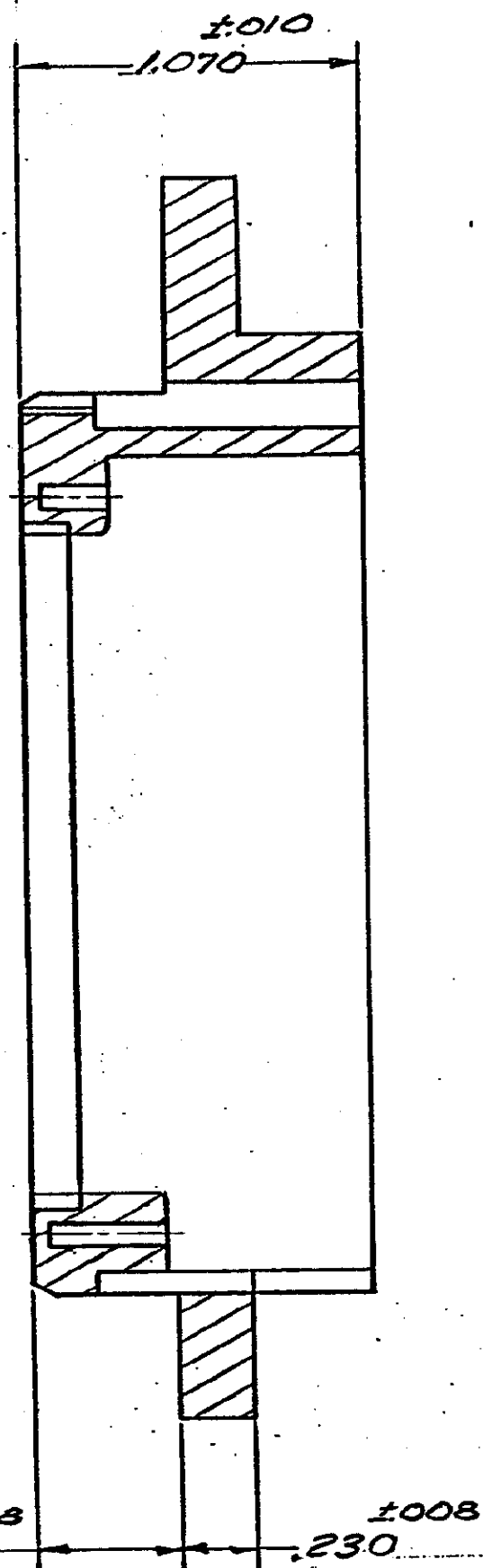
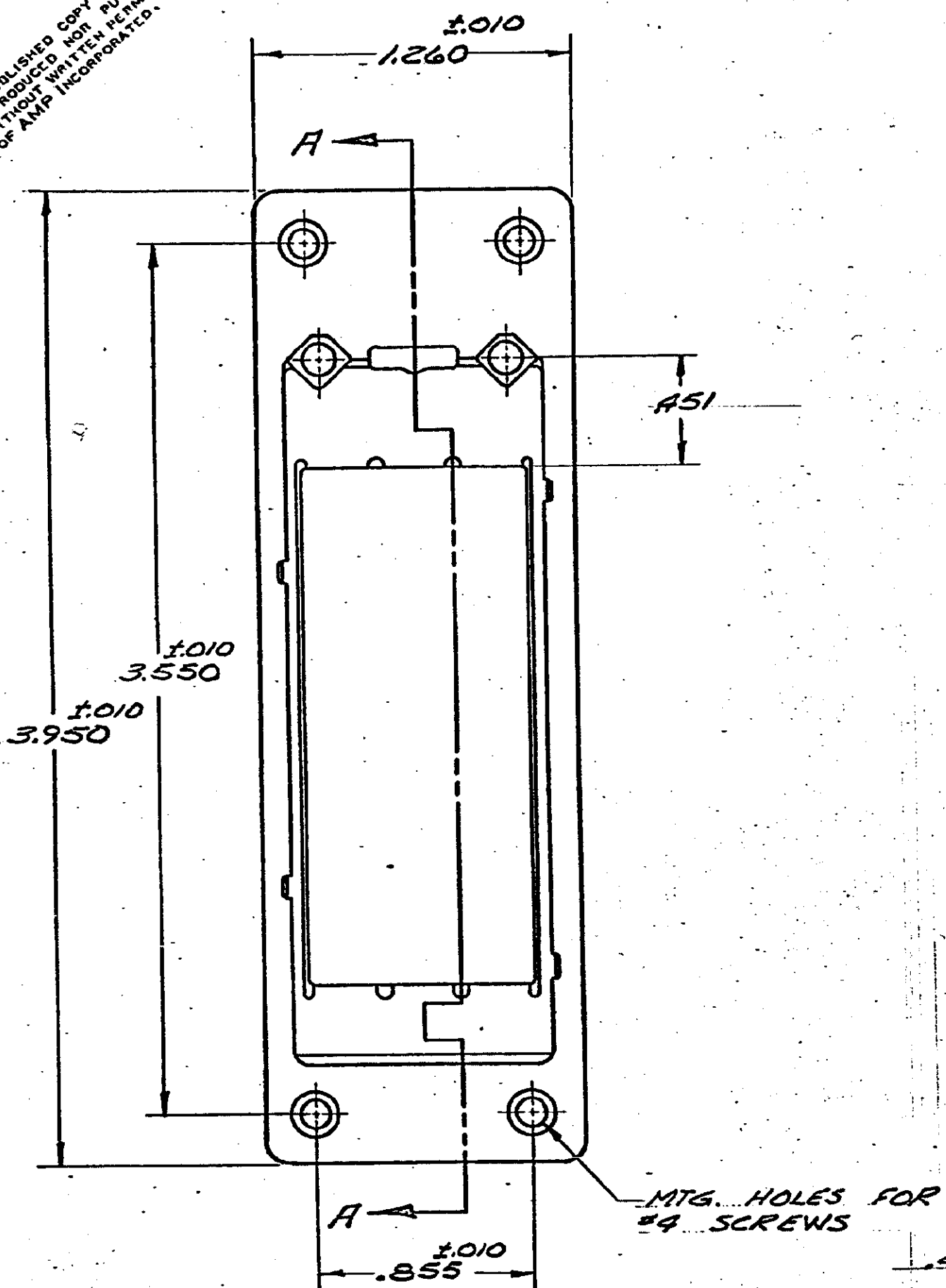
DRAWING MADE IN THIRD ANGLE PROJECTION

© COPYRIGHT 1973 BY AMP INCORPORATED, HARRISBURG, PA.  
 ALL INTERNATIONAL RIGHTS RESERVED. AMP INCORPORATED PRODUCTS  
 COVERED BY U. S. AND FOREIGN PATENTS AND/OR PATENTS PENDING.

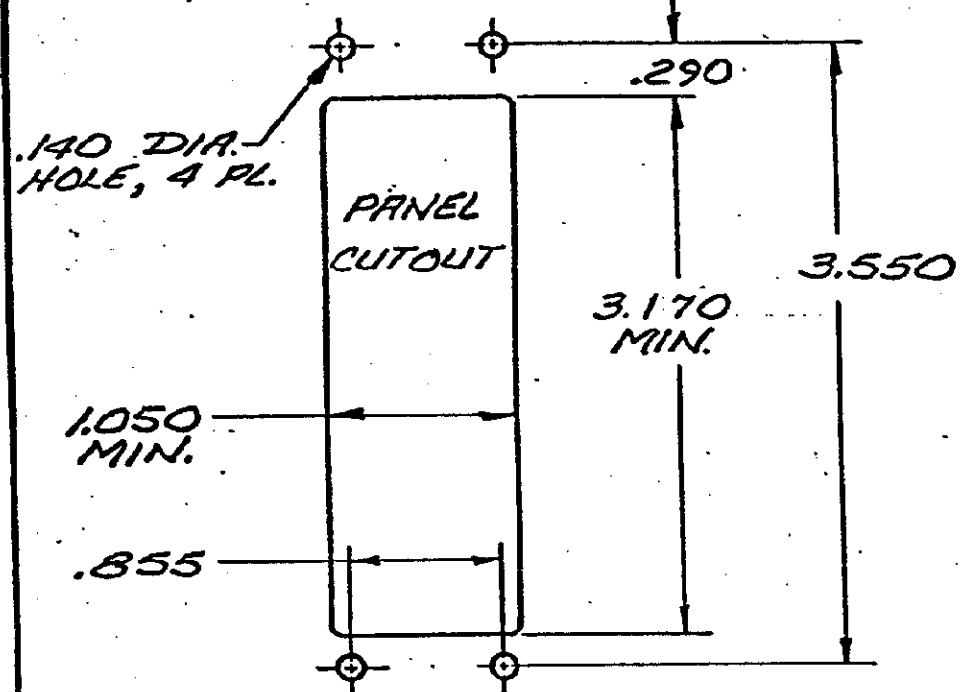
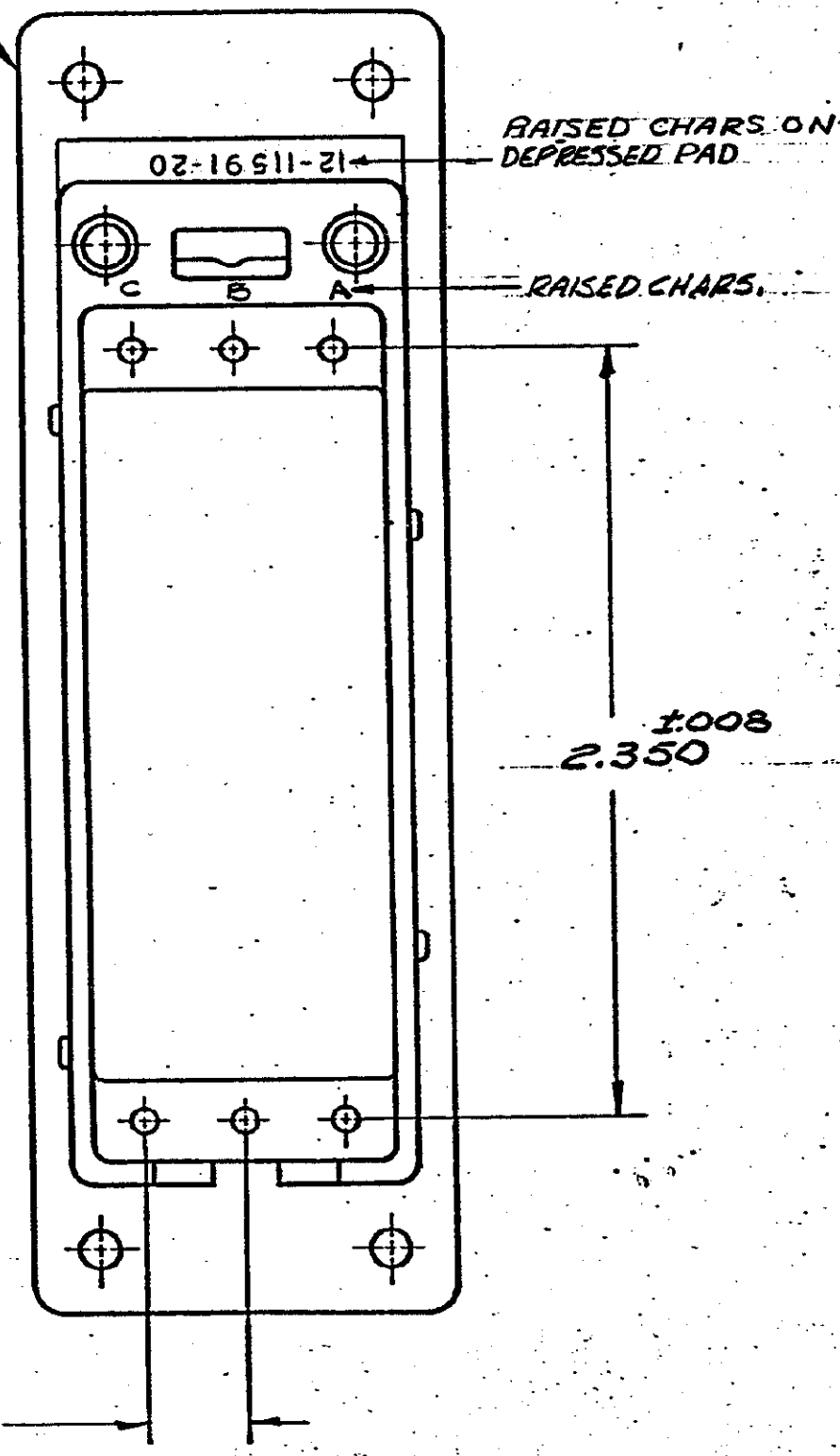
206539-1 1. AS SHOWN

REVISIONS					
F	ZONE	LTR	DESCRIPTION	DATE	APPROVED
D			REV PER ECO 18-009653	CT	8-18 DM

UNPUBLISHED COPY NOT TO BE  
 REPRODUCED NOR PUBLISHED  
 WITHOUT WRITTEN PERMISSION  
 OF AMP INCORPORATED.



RECEPTACLE HOUSING  
 MATL. - GLASS REINFORCED NYLON



UNLESS OTHERWISE SPECIFIED DIMENSIONS ARE IN INCHES. TOLERANCES ON: DECIMALS ±.005 ANGLES ± .1°		CONTRACT NO.		PART NO.	
MATERIAL SEE CALLOUT		DR. <i>J. D. Dwyer</i> 12-6-73 CHK. <i>J. H. Dwyer</i> 12-7-73		AMP INCORPORATED Harrisburg, Pa.	
FINISH		APPD. <i>J. H. Dwyer</i> 12-7-73		NAME RECEPTACLE HOUSING, ZERO ENTRY, SIZE I (3, 40 POS. MODULES) SPECIAL VERSION	
		DSGN APPD.		SIZE CODE IDENT NO DRAWING NO	
		OTHER APPD.		C 00779 206539 REV D	
				SCALE 2:1 SHEET 1 OF 1	

CUSTOMER DRAWING

206539 CUST. 202

# Mouser Electronics

Authorized Distributor

Click to View Pricing, Inventory, Delivery & Lifecycle Information:

[TE Connectivity:](#)

[206539-2](#)