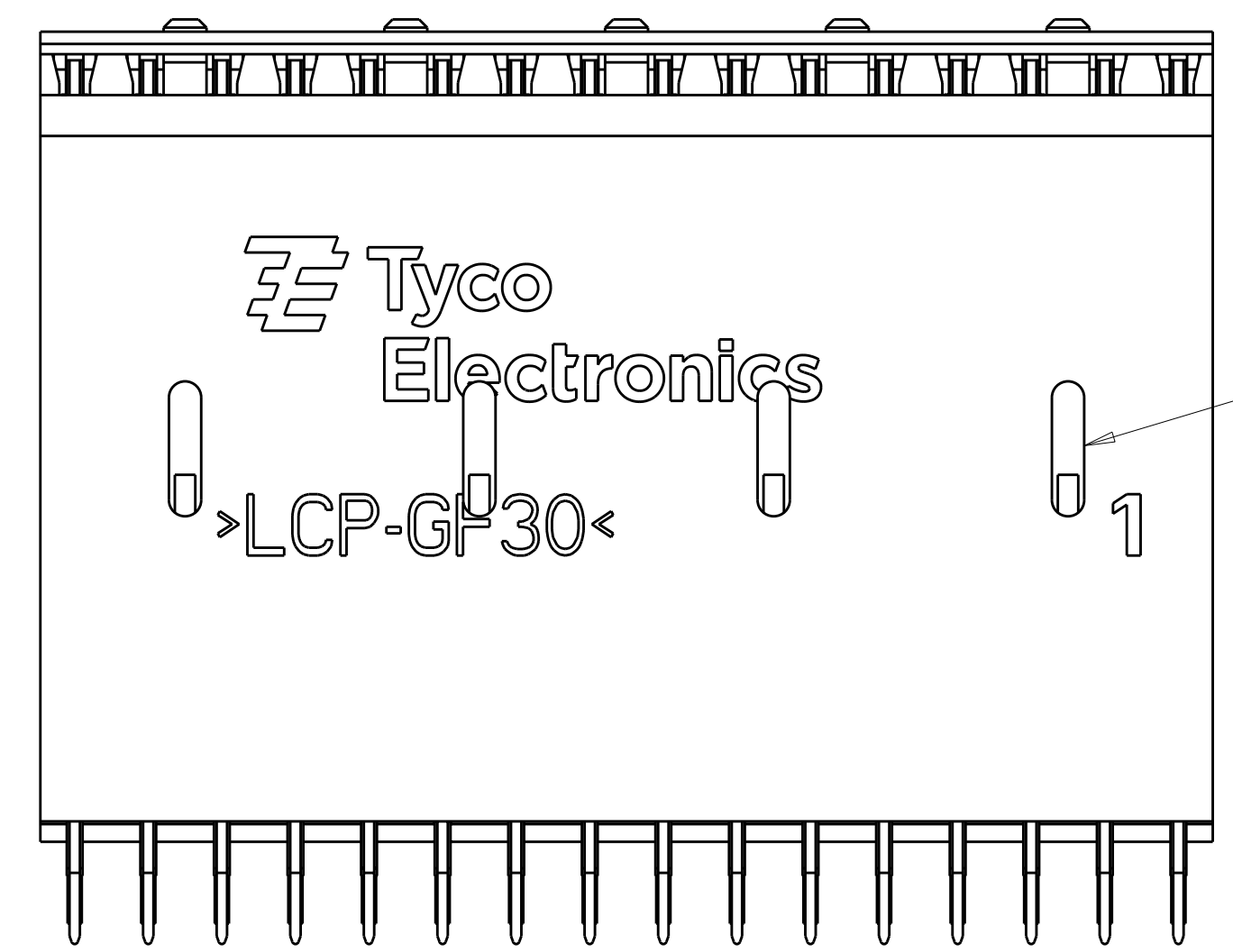
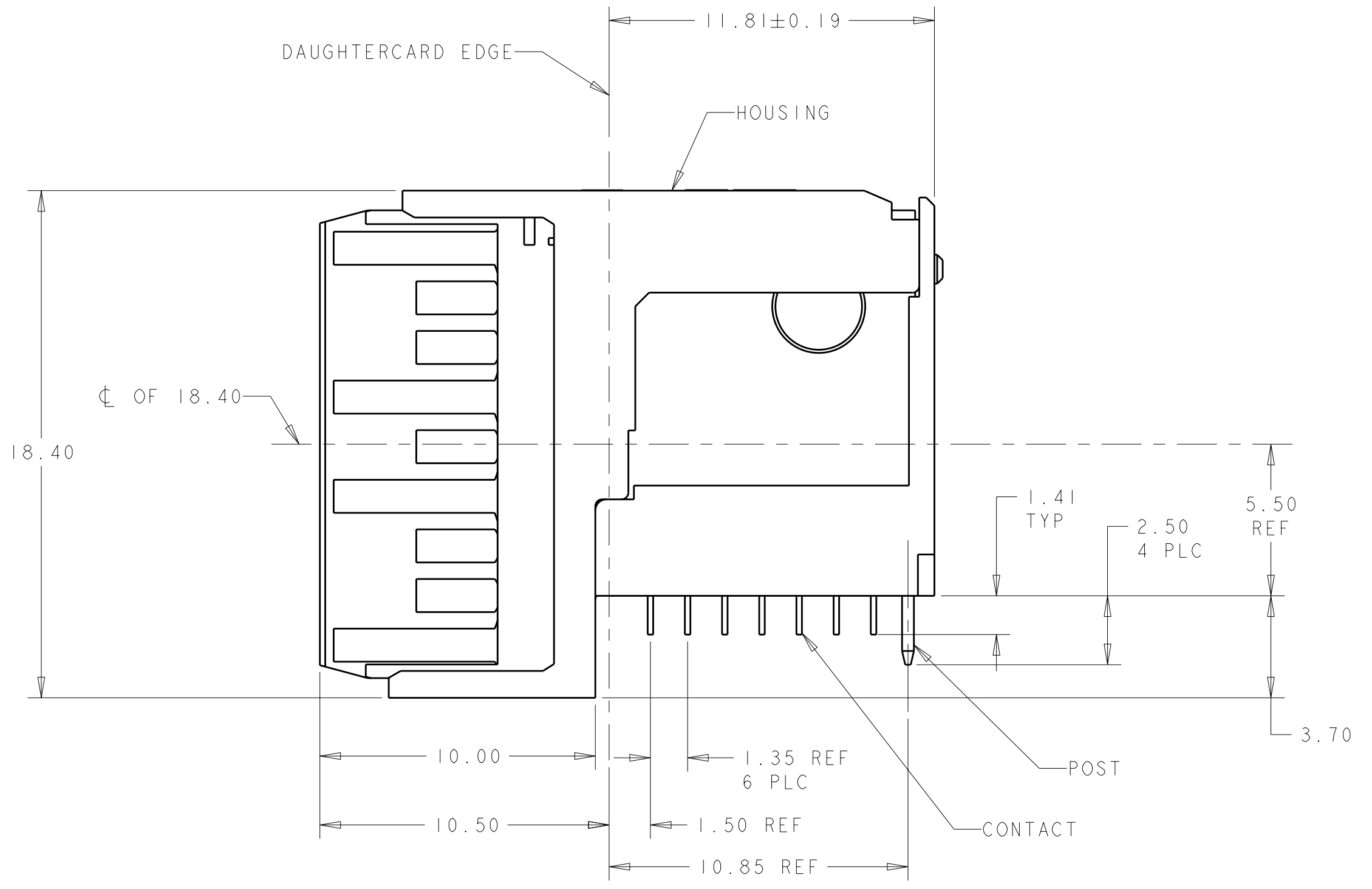
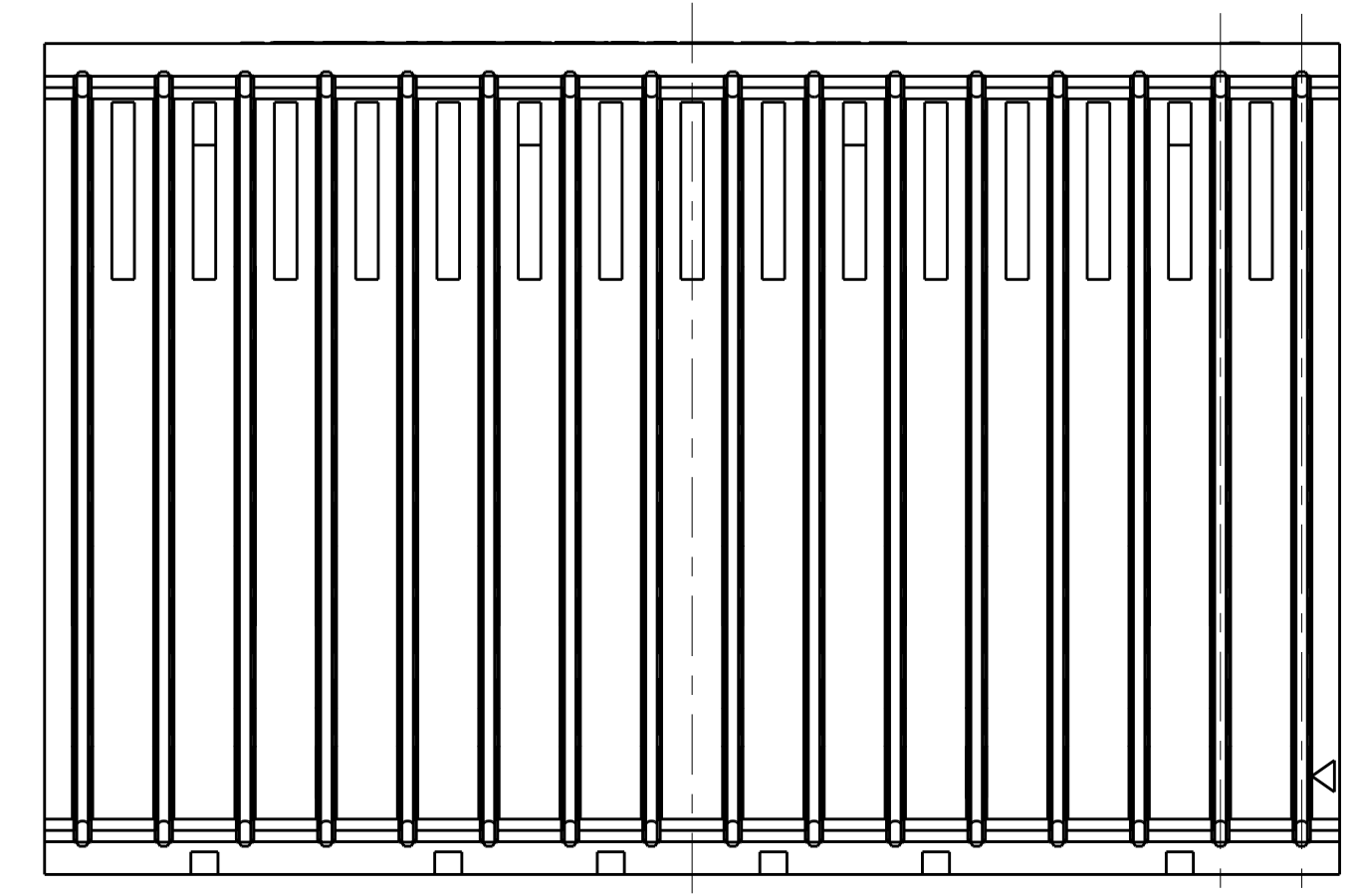


LOC	DIST	REV	DATE	BY	APP'D
DF	A5	1	05AUG2009	MM	BY



SLOTS FOR RECEIVING SHIELD RETENTION LEGS

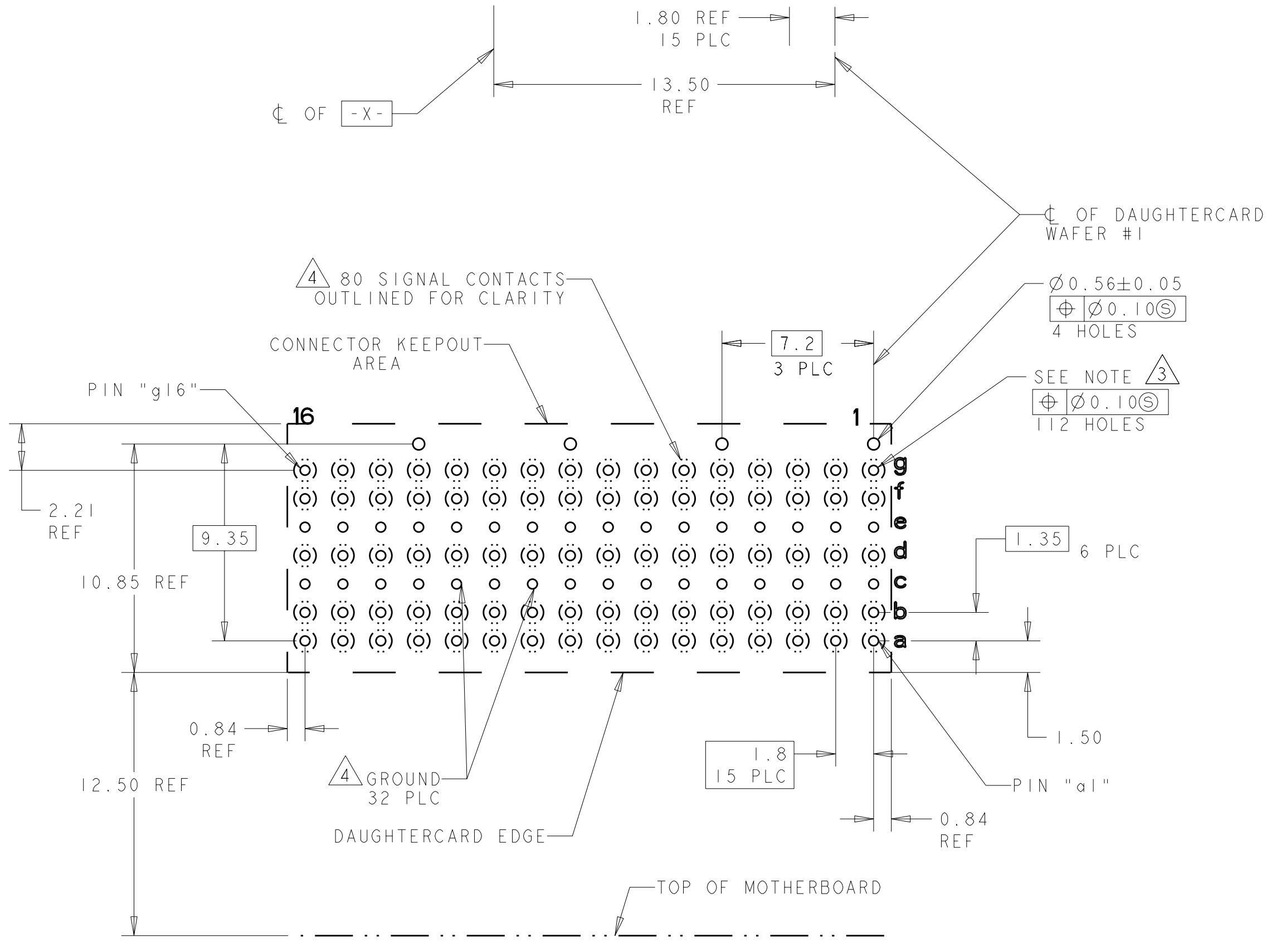


- 1 HOUSING: LCP, UL94V0, COLOR: BLACK.
CONTACT: PHOSPHOR BRONZE.
POST: BRASS WIRE
- 2 CONTACT: 1.27µm MIN GOLD IN PAD CONTACT AREA.
1.27µm MIN TIN-LEAD ON PCB TAIL
OVER 1.27µm MIN NICKEL OVER ALL.
POST 1.27µm MIN NICKEL PLATED.
- 3 MANUFACTURING TOLERANCE FOR Ø0.46± 0.05
DIAMETER FINISHED HOLE WITH SnPB PLATING:
DRILLED HOLE = Ø0.55±0.02
COPPER PLATING = 0.025-0.050
Sn PB PLATING = 0.0038-0.0124
OR MANUFACTURING TOLERANCE FOR Ø0.475± 0.05
DIAMETER FINISHED HOLE WITHOUT SnPB PLATING:
DRILLED HOLE = Ø0.55±0.02
COPPER PLATING = 0.025-0.050
- 4 SEE TABLE 1 FOR INTERCONNECTIONS TO
BACKPLANE CONNECTOR.

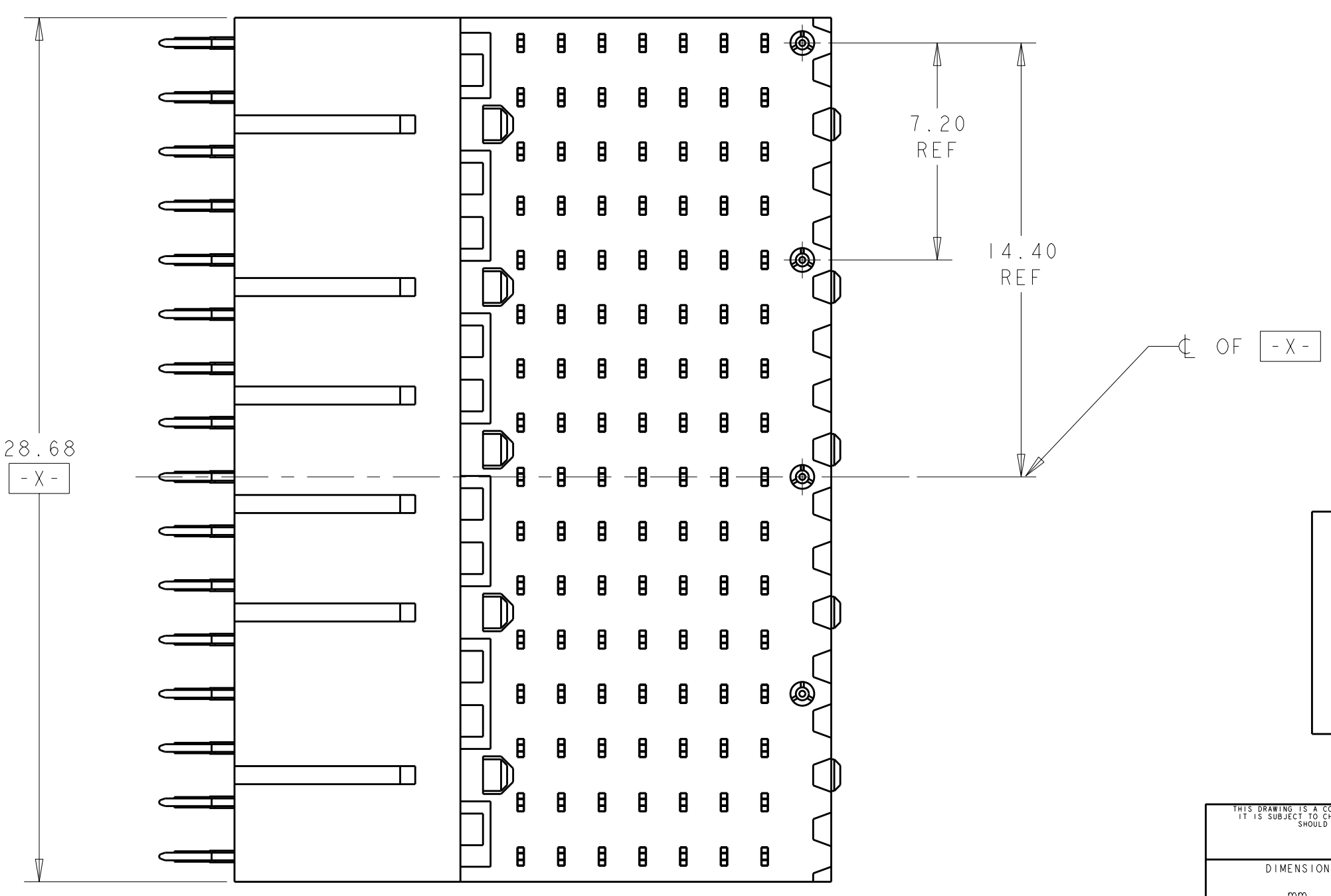
TABLE 1
INTERCONNECTIONS WITH BACKPLANE CONNECTOR 1410140

TYPICAL INTERCONNECTIONS FOR EACH COLUMN (WAFER): 1-16		
CONTACT USAGE	DAUGHTERCARD CONNECTOR PIN	BACKPLANE CONNECTOR PIN
SIGNAL	ax	bx
SIGNAL	bx	cx
SIGNAL	dx	ex
SIGNAL	fx	gx
SIGNAL	gx	hx
GROUND	cx, ex, (ALL COMMON)	ax, dx, fx, ix

NOTE: "x" DESIGNATES THE COLUMN NUMBER



PC BOARD LAYOUT (CONNECTOR SIDE)
SEE SHEET 2 FOR RTM
SCALE 5:1



THIS PRINT IS
PRELIMINARY
UNQUALIFIED PRODUCT
CONTACT PRODUCT ENGINEERING
BEFORE USING THIS PRINT

DIMENSIONS: mm		TOLERANCES UNLESS OTHERWISE SPECIFIED:		DWN: 05AUG2009 BY: Brent D. Toth CHK: M.R. MCALONIS APP'D: M.R. MCALONIS		Tyco Electronics Harrisburg, PA 17105-3608	
9 PLC	±	0.5		PRODUCT SPEC	108-2072	NAME	RIGHT-ANGLE PLUG ASSEMBLY, 7 ROW, CENTER, 20.3mm, SINGLE ENDED, MULTIGIG RT2 MGX, DAUGHTERCARD CONN, VITA 46
5 PLC	±	0.13		APPLICATION SPEC	114-13056	SIZE	114-13056
4 PLC	±	0.13		FINISH	SEE TABLE	WEIGHT	00779
ANGLES	±1°						C=2000878
MATERIAL		FINISH		WEIGHT		CUSTOMER DRAWING	
SCALE 5:1		SHEET 1 OF 2		REV 1			

THIS PRODUCT HAS NOT COMPLETED VALIDATION TESTING

Mouser Electronics

Authorized Distributor

Click to View Pricing, Inventory, Delivery & Lifecycle Information:

[TE Connectivity:](#)

[2000878-1](#)