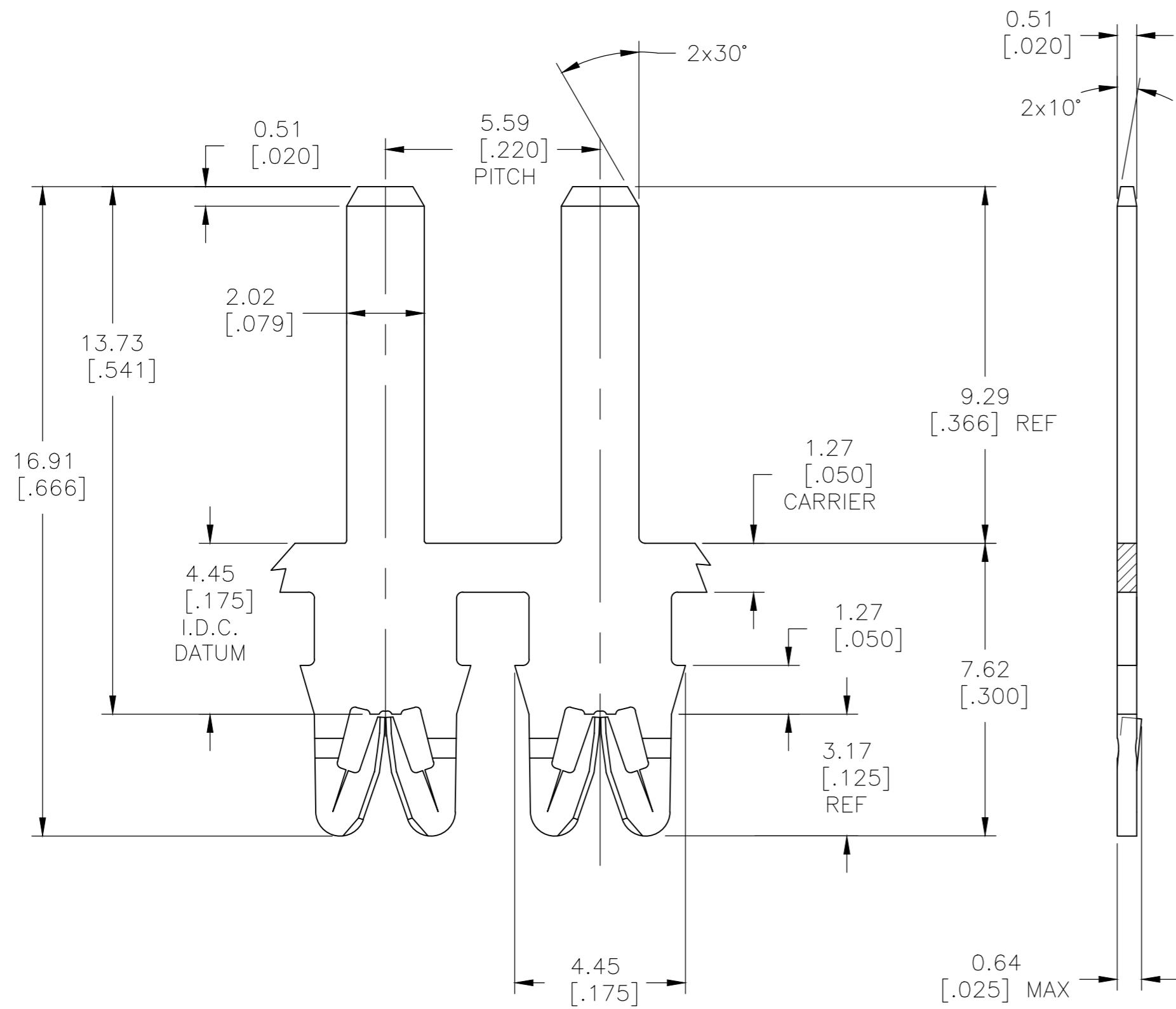
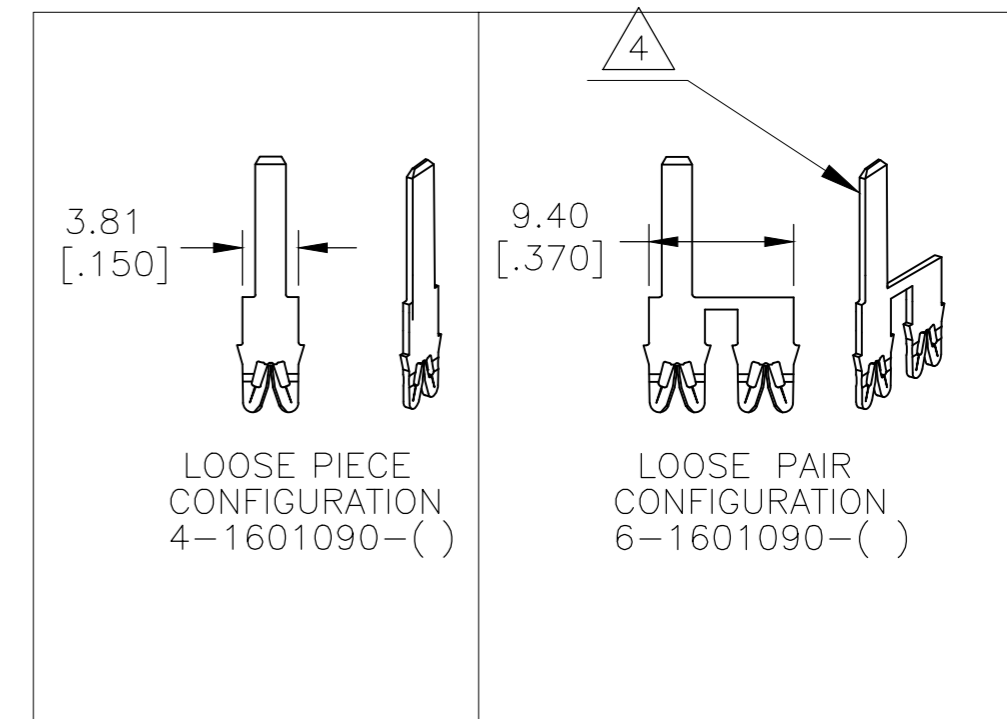


THIS DRAWING IS UNPUBLISHED. RELEASED FOR PUBLICATION
 © COPYRIGHT - By - ALL RIGHTS RESERVED.

| LOC | | DIST | | REVISIONS | | | |
|-----|-----|-------------|--|---------------------------|-----------|------|-----|
| P | LTR | DESCRIPTION | | DATE | DWN | APVD | |
| AF | 50 | F | | REVISED PER ECR-20-000418 | 14JAN2020 | JA | PKS |



- 1 MAGNET WIRE: #18 - 34 AWG, 1.02[.040]-0.16[.006] DIA. COPPER. OTHER SIZES MAY BE ACCOMMODATED,CONSULT TYCO ELECTRONICS FOR APPROVAL.
- 2 POCKET RECOMMENDATION: #1601425 EXCEPT ONLY 7.87[.310] DEEP
- 3 TERMINAL APPLICATION TO COMPLY WITH TYCO ELECTRONICS APPLICATION SPECIFICATION 114-13166 FIGURE 7.
- 4 BACK SIDE WITH IDC BEAMS PROTRUSION



OBSOLETE

| | | |
|--|-----------------------|--|
| Pre Tin Plate | 131-162-002 | 6-1601090-2 |
| Pre Tin Plate | 031-161-002 | 4-1601090-2 |
| Pre Tin Plate | 131-162-002 | 2-1601090-2 |
| Pre Tin Plate | 131-161-002 | 1601090-2 |
| FINISH | REFERENCE PART NUMBER | TE PART NUMBER |
| THIS DRAWING IS A CONTROLLED DOCUMENT. | | DWN J.WELLER 11JAN2002 |
| DIMENSIONS: mm [INCHES] | | CHK M.FEHER 11JAN2002 |
| TOLERANCES UNLESS OTHERWISE SPECIFIED: | | APVD K.RANDOLPH 11JAN2002 |
| 0 PLC ± - | 1 PLC ± - | PRODUCT SPEC |
| 2 PLC ± 0.13[.005] | 3 PLC ± - | 108-2085 |
| 4 PLC ± - | ANGLES ± 2° | APPLICATION SPEC |
| MATERIAL BRASS, SPRING HARD | FINISH SEE TABLE | WEIGHT - |
| CUSTOMER DRAWING | | SIZE A2 CAGE CODE 00779 DRAWING NO C=1601090 |
| SCALE 1:1 | | SHEET 1 OF 1 |
| REV F | | RESTRICTED TO - |

STE TE Connectivity

STANDARD RANGE WIRE TO 2.0 x 0.51 TAB SIAMEZE TERMINAL

Mouser Electronics

Authorized Distributor

Click to View Pricing, Inventory, Delivery & Lifecycle Information:

[TE Connectivity:](#)

[1601090-2](#)