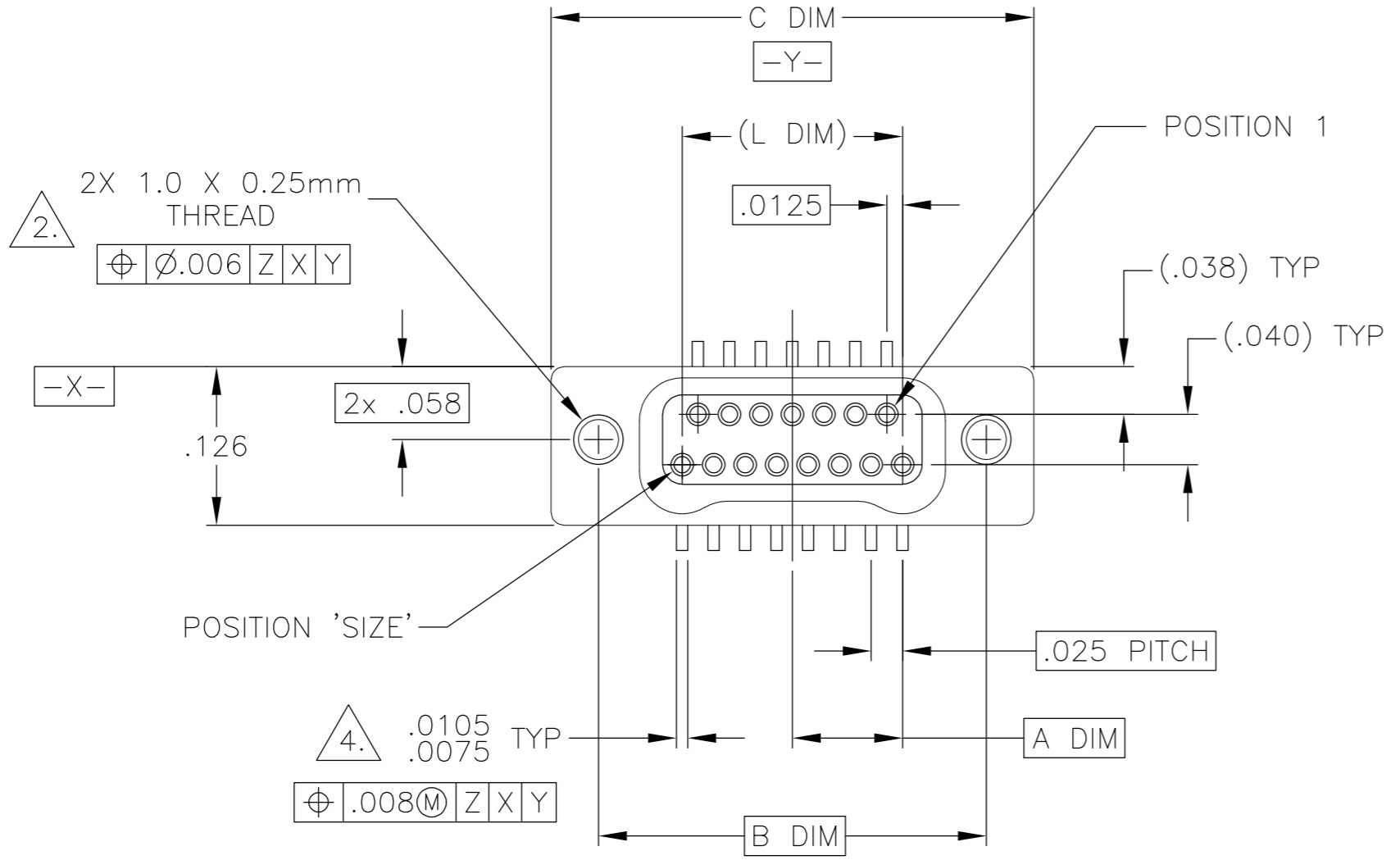
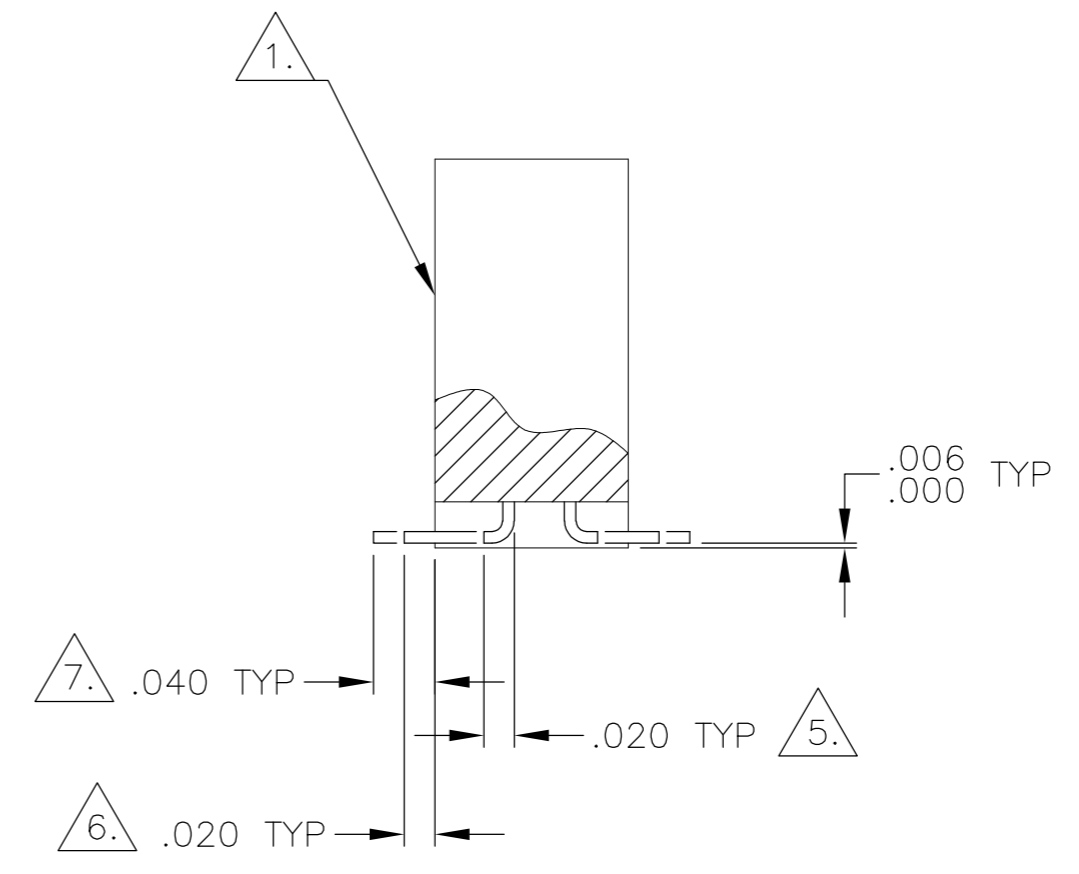
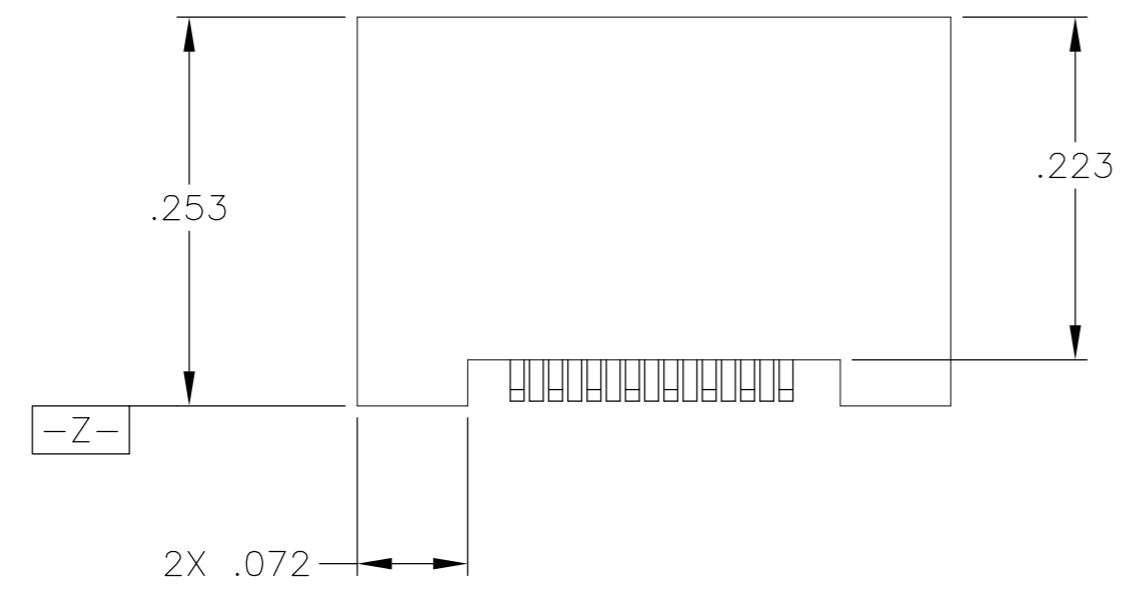


THIS DRAWING IS UNPUBLISHED. RELEASED FOR PUBLICATION
 © COPYRIGHT - By - ALL RIGHTS RESERVED.

| REVISIONS | | | | |
|-----------|-----|-----------------------|---------|-------|
| P | LTR | DESCRIPTION | DATE | APVD |
| E | | REV PER ECO 16-003934 | 3-15-16 | CT CD |



| SIZE | A DIM | B DIM | C DIM ±.0050 | (L DIM) |
|------|-------|-------|--------------|---------|
| 09 | .050 | .229 | .3085 | (.100) |
| 15 | .0875 | .304 | .3835 | (.175) |
| 25 | .150 | .429 | .5085 | (.300) |
| 31 | .1875 | .504 | .5835 | (.375) |
| 37 | .225 | .579 | .6585 | (.450) |
| 51 | .3125 | .754 | .8335 | (.625) |
| 65 | .400 | .929 | 1.0085 | (.800) |

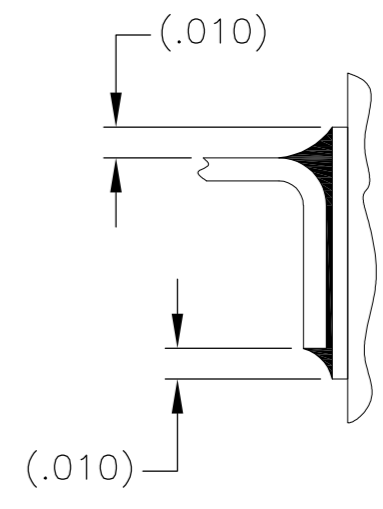
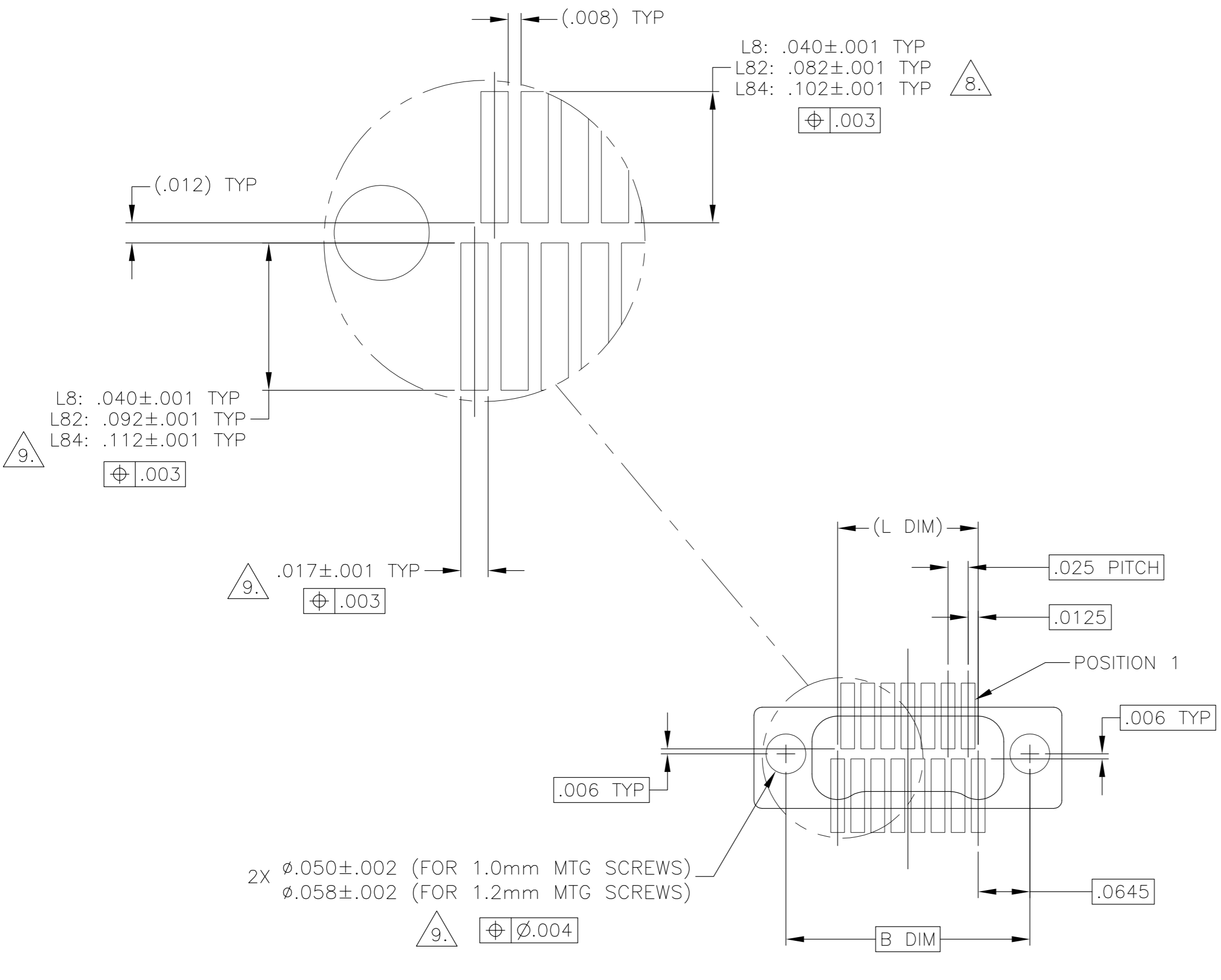


- 1. SHELL OPTIONS (TO BE SPECIFIED IN NANONICS PART NUMBER):
 METAL: 6061-T6 ALUMINUM, ELECTROLESS NICKEL PLATED PER MIL-C-26074 (STANDARD) OR GOLD PLATED PER MIL-G-45204
 303 STAINLESS STEEL, PASSIVATED PER SAE-AMS-QQ-P-35
 INSULATOR MATERIAL FOR ALL METAL SHELLS IS LIQUID CRYSTAL POLYMER (LCP) PER MIL-M-24519 OR PER ASTM D5138
- 2. STANDARD 1.0 X 0.25mm JACKSCREW AND MOUNTING THREADS ARE SHOWN FOR REFERENCE ONLY AND MUST BE SPECIFIED IN THE NANONICS PART NUMBER WHEN REQUIRED. 1.2 X 0.25mm THREADS ALSO AVAILABLE.
- 3. MOUNTING HARDWARE IS AVAILABLE WITH THIS CONFIGURATION (NOT SHOWN). HARDWARE MUST BE SPECIFIED IN THE NANONICS PART NUMBER. CONSULT TYCO ELECTRONICS FOR DETAILS.
- 4. SMT LEADS ARE BeCu, TIN LEAD PLATED 60/40 COMPOSITION PER SAE-AMS-P-81728.
- 5. NANONICS TERMINATION CODE: L8
- 6. NANONICS TERMINATION CODE: L82
- 7. NANONICS TERMINATION CODE: L84
- 8. THIS DRAWING PREVIOUSLY IDENTIFIED AS NANONICS N10138/246
- 9. POSITIONAL TOLERANCES FOR BASIC DIMENSIONED FEATURES ARE RELATIVE TO FIDUCIALS OR SOME SIMILAR DATUM REFERENCE DEFINED BY THE PCB DESIGNER.

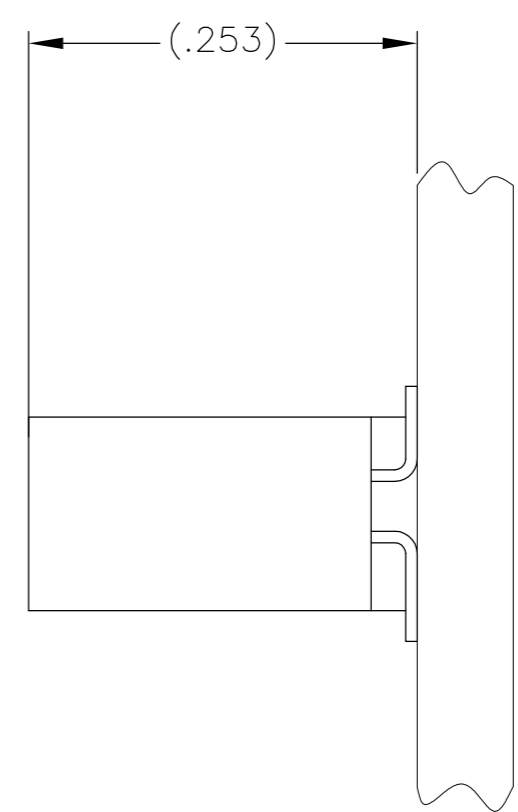
| | | | | |
|--|---------------------|------------------------------|--|--------------------|
| THIS DRAWING IS A CONTROLLED DOCUMENT. | | DWN C. SCHOLL 2 APR 01 | | |
| DIMENSIONS: INCHES | | CHK M. STORRY 2 APR 01 | | |
| TOLERANCES UNLESS OTHERWISE SPECIFIED: | | APVD M. STORRY 4-2-01 | NAME RECEPTACLE ASSEMBLY, VERTICAL SURFACE MOUNT, TWO ROW DUALLOBE, METAL, W/INTEGRATED STANDOFFS | |
| 0 PLC ± - | | PRODUCT SPEC | SIZE A2 | CAGE CODE 00779 |
| 1 PLC ± - | | APPLICATION SPEC | DRAWING NO C=1589486 | RESTRICTED TO - |
| 2 PLC ± .010 | | WEIGHT 0 | SCALE 8:1 | SHEET 1 of 2 |
| 3 PLC ± .005 | | CUSTOMER DRAWING | REV E | |
| 4 PLC ± - | | | | |
| ANGLES ± 1 | | | | |
| MATERIAL SEE NOTES | FINISH SEE NOTES | | | |

THIS DRAWING IS UNPUBLISHED. RELEASED FOR PUBLICATION
 © COPYRIGHT - By - ALL RIGHTS RESERVED.

| REVISIONS | | | | |
|-----------|-----|--------------|------|------|
| P | LTR | DESCRIPTION | DATE | APVD |
| - | - | SEE SHEET #1 | - | - |



TYPICAL FOOT PLACEMENT ON SOLDER PAD



SIZE 15 SHOWN FOR REFERENCE

TYPICAL PCB LAYOUT

| | | | | | | | | | | | | | | | | | | | | | | |
|--|---|------------------------------|--|-------------------------|-------|---|---|-------|---|------|-------|---|------|-------|---|---|--------|---|---|--------------|------|---------------|
| THIS DRAWING IS A CONTROLLED DOCUMENT. | | DWN C. SCHOLL 2 APR 01 | | | | | | | | | | | | | | | | | | | | |
| DIMENSIONS: INCHES | | CHK M. STORRY 2 APR 01 | | | | | | | | | | | | | | | | | | | | |
| TOLERANCES UNLESS OTHERWISE SPECIFIED: | | APVD M. STORRY 4-2-01 | NAME RECEPTACLE ASSEMBLY, VERTICAL SURFACE MOUNT, TWO ROW DUALLOBE, METAL, W/INTEGRATED STANDOFFS | | | | | | | | | | | | | | | | | | | |
| <table border="1"> <tr><td>0 PLC</td><td>±</td><td>-</td></tr> <tr><td>1 PLC</td><td>±</td><td>-</td></tr> <tr><td>2 PLC</td><td>±</td><td>.010</td></tr> <tr><td>3 PLC</td><td>±</td><td>.005</td></tr> <tr><td>4 PLC</td><td>±</td><td>-</td></tr> <tr><td>ANGLES</td><td>±</td><td>1</td></tr> </table> | | 0 PLC | ± | - | 1 PLC | ± | - | 2 PLC | ± | .010 | 3 PLC | ± | .005 | 4 PLC | ± | - | ANGLES | ± | 1 | PRODUCT SPEC | SIZE | RESTRICTED TO |
| 0 PLC | ± | - | | | | | | | | | | | | | | | | | | | | |
| 1 PLC | ± | - | | | | | | | | | | | | | | | | | | | | |
| 2 PLC | ± | .010 | | | | | | | | | | | | | | | | | | | | |
| 3 PLC | ± | .005 | | | | | | | | | | | | | | | | | | | | |
| 4 PLC | ± | - | | | | | | | | | | | | | | | | | | | | |
| ANGLES | ± | 1 | | | | | | | | | | | | | | | | | | | | |
| MATERIAL SEE NOTES | | FINISH SEE NOTES | APPLICATION SPEC | CAGE CODE | | | | | | | | | | | | | | | | | | |
| WEIGHT 0 | | SCALE 8:1 | DRAWING NO A2 00779 | DRAWING NO C=1589486 | | | | | | | | | | | | | | | | | | |
| CUSTOMER DRAWING | | SHEET 2 of 2 | REV E | | | | | | | | | | | | | | | | | | | |

Mouser Electronics

Authorized Distributor

Click to View Pricing, Inventory, Delivery & Lifecycle Information:

[TE Connectivity:](#)

[1589486-9](#)