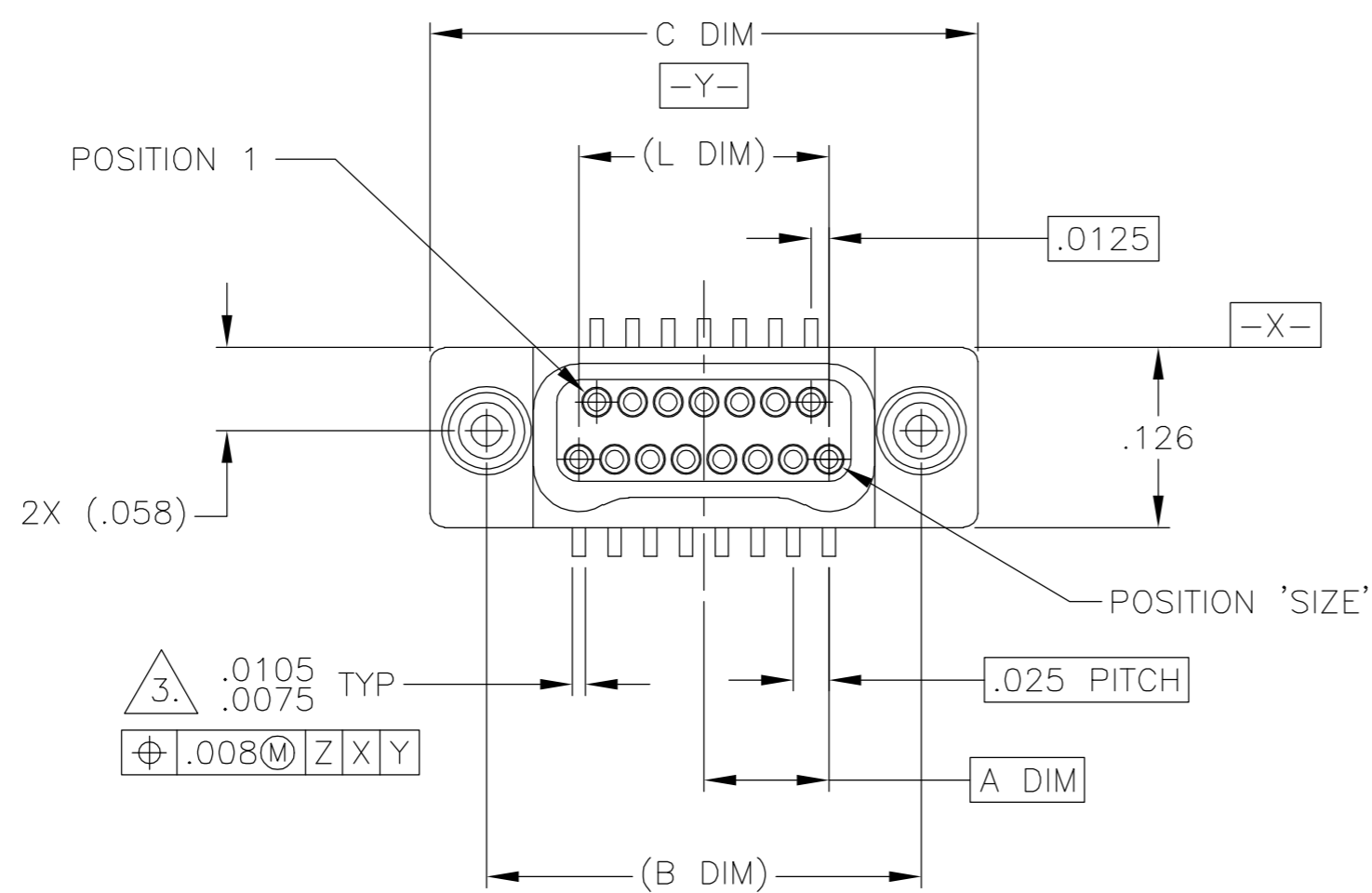
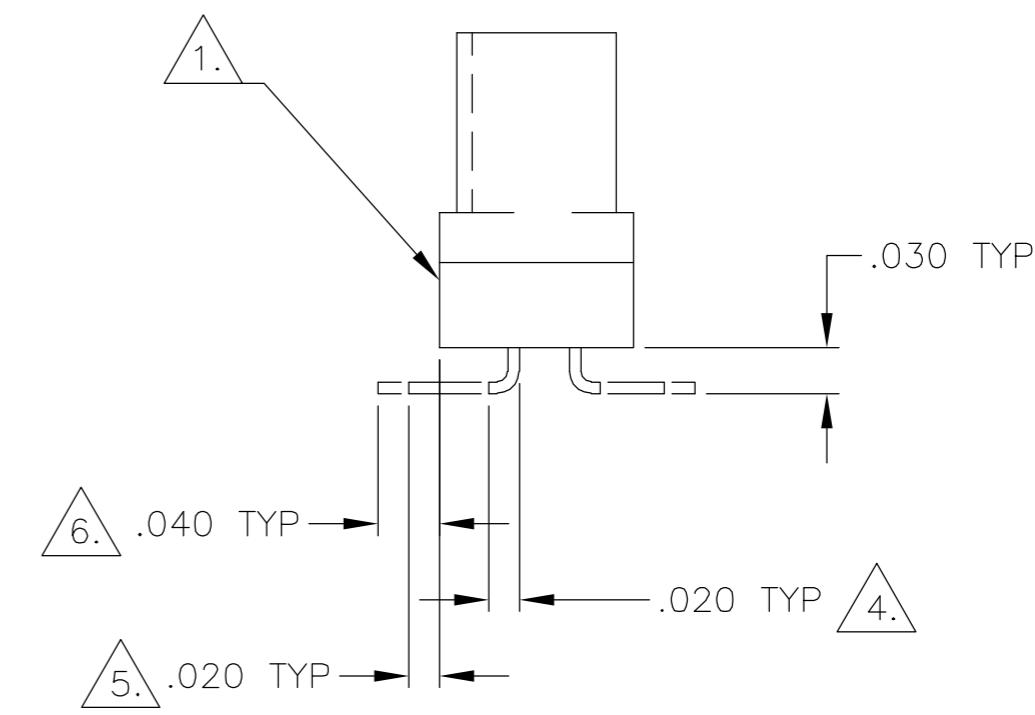
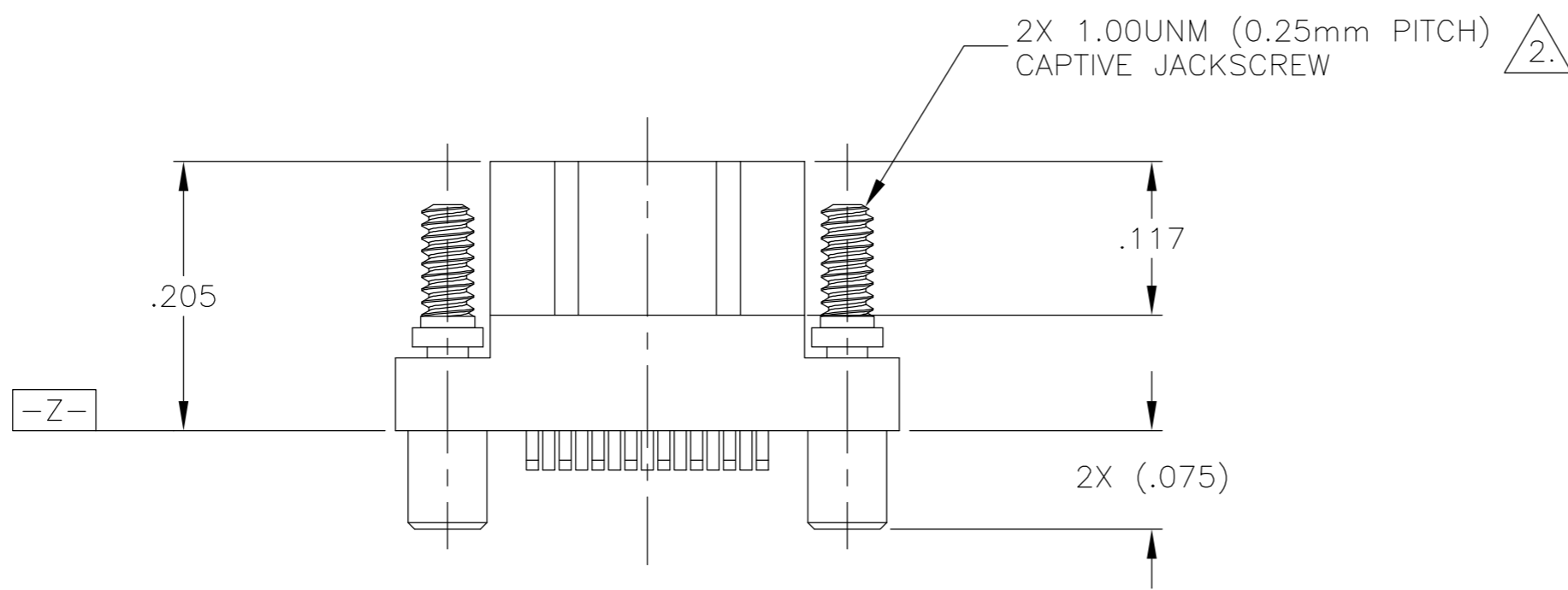


THIS DRAWING IS UNPUBLISHED. RELEASED FOR PUBLICATION
 © COPYRIGHT BY TYCO ELECTRONICS CORPORATION. ALL RIGHTS RESERVED.

LOC	DIST	REVISIONS					
DF	D0	P	LTR	DESCRIPTION	DATE	DWN	APVD
		F		UPDATE PER 0H2Y-0164-04	12 MAY 04	CAS	MKS



SIZE	A DIM	(B DIM)	C DIM ±.0050	(L DIM)
09	.050	(.229)	.3085	(.100)
15	.0875	(.304)	.3835	(.175)
25	.150	(.429)	.5085	(.300)
37	.225	(.579)	.6585	(.450)
51	.3125	(.754)	.8335	(.625)
65	.400	(.929)	1.0085	(.800)



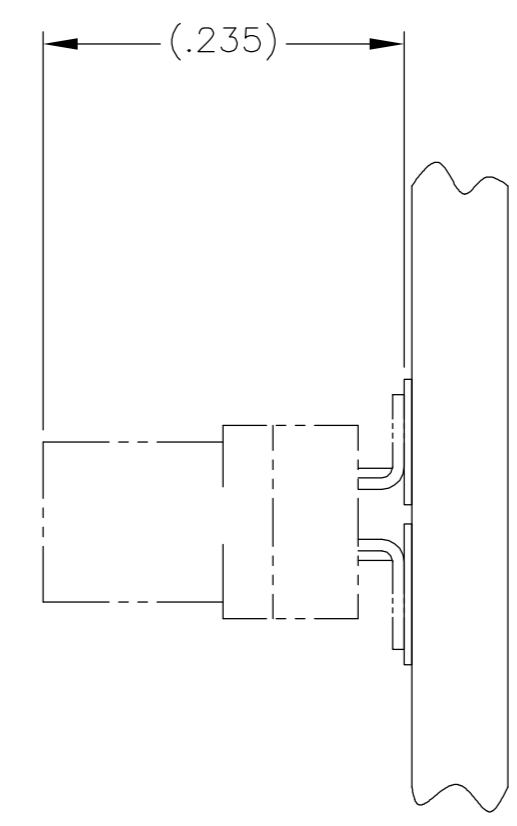
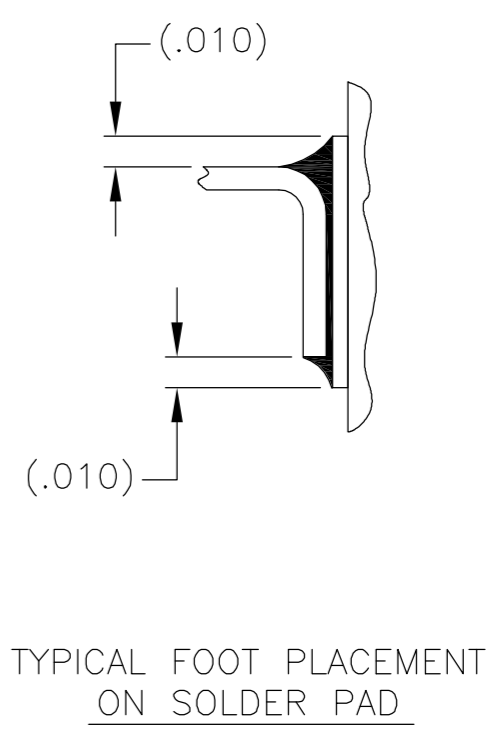
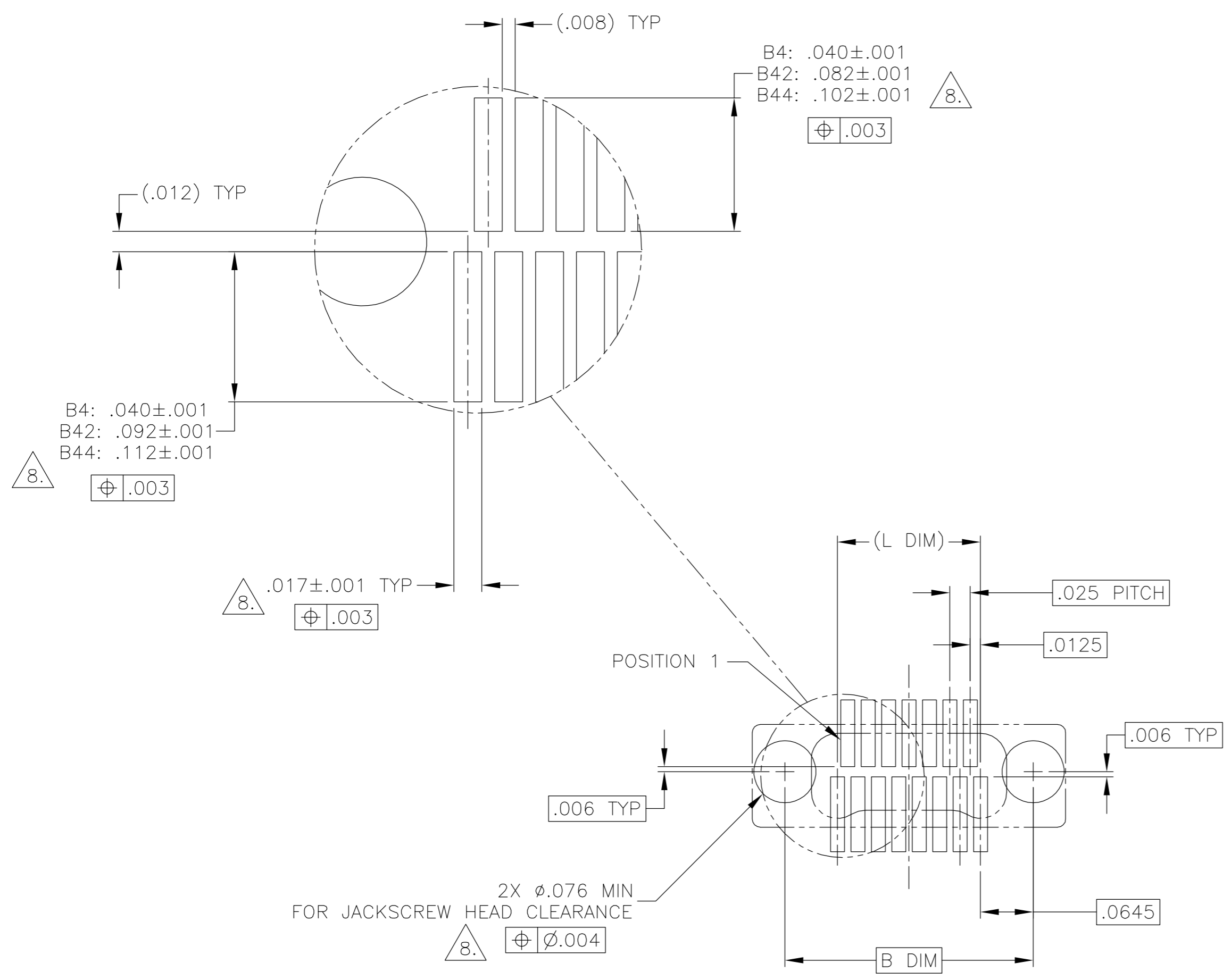
JACKSCREWS REMOVED FOR CLARITY

- 1. SHELL OPTIONS (TO BE SPECIFIED IN NANONICS PART NUMBER):
 METAL: 6061-T6 ALUMINUM, ELECTROLESS NICKEL PLATED PER MIL-C-26074 (STANDARD) OR GOLD PLATED PER MIL-G-45204
 303 STAINLESS STEEL, PASSIVATED PER SAE-AMS-QQ-P-35
 INSULATOR MATERIAL FOR ALL METAL SHELLS IS LIQUID CRYSTAL POLYMER (LCP) PER MIL-M-24519 OR PER ASTM D5138
 PLASTIC: LIQUID CRYSTAL POLYMER (LCP) PER MIL-M-24519 OR PER ASTM D5138
- 2. STANDARD 1.00UNM CAPTIVE JACKSCREWS ARE SHOWN FOR REFERENCE ONLY AND MUST BE SPECIFIED IN THE NANONICS PART NUMBER WHEN REQUIRED. JACKSCREW MATERIAL IS 303 STAINLESS STEEL, PASSIVATED PER SAE-AMS-QQ-P-35, AND DRY LUBED PER DOD-L-85645. RETAINING RING IS 17-4 STAINLESS STEEL, PASSIVATED PER SAE-AMS-QQ-P-35. JACKSCREWS HAVE A .9mm HEX SOCKET HEAD. 1.20UNM JACKSCREWS ALSO AVAILABLE.
- 3. SMT LEADS ARE BeCu, TIN LEAD PLATED 60/40 COMPOSITION PER SAE-AMS-P-81728.
- 4. NANONICS TERMINATION CODE: B4 5. NANONICS TERMINATION CODE: B42 6. NANONICS TERMINATION CODE: B44
- 7. THIS DRAWING PREVIOUSLY IDENTIFIED AS NANONICS N10138/242

THIS DRAWING IS A CONTROLLED DOCUMENT.		DWN M. STORRY	2 MAR 01	Tyco Electronics Corporation Harrisburg, PA 17105	
DIMENSIONS: INCHES	TOLERANCES UNLESS OTHERWISE SPECIFIED:	CHK -	APVD -	NAME	
0 PLC ± -	1 PLC ± -	PRODUCT SPEC	PLUG ASSEMBLY, VERTICAL SURFACE MOUNT, TWO ROW DUALLOBE, PLASTIC OR METAL		
2 PLC ± .010	3 PLC ± .005	APPLICATION SPEC	SIZE A2	CAGE CODE 00779	DRAWING NO C=1589485
4 PLC ± -	ANGLES ± 1	WEIGHT -	RESTRICTED TO		
MATERIAL SEE NOTES	FINISH SEE NOTES	CUSTOMER DRAWING	SCALE 8:1	SHEET 1 OF 2	REV F

THIS DRAWING IS UNPUBLISHED. RELEASED FOR PUBLICATION
 © COPYRIGHT BY TYCO ELECTRONICS CORPORATION. ALL RIGHTS RESERVED.

LOC		DIST		REVISIONS			
P	LTR	DESCRIPTION		DATE	DWN	APVD	
DF	DO	F		UPDATE PER 0H2Y-0164-04	12 MAY 04	CAS	MKS



SIZE 15 SHOWN FOR REFERENCE

TYPICAL PCB LAYOUT

8. POSITIONAL TOLERANCES FOR BASIC DIMENSIONED FEATURES ARE RELATIVE TO FIDUCIALS OR SOME SIMILAR DATUM REFERENCE DEFINED BY THE PCB DESIGNER.

THIS DRAWING IS A CONTROLLED DOCUMENT.		DWN	M. STORRY	2 MAR 01	Tyco Electronics Corporation Harrisburg, PA 17105	
DIMENSIONS: INCHES		CHK	-	-	NAME	
TOLERANCES UNLESS OTHERWISE SPECIFIED:		APVD	-	-	PRODUCT SPEC	
0 PLC	± -	APPLICATION SPEC		PLUG ASSEMBLY, VERTICAL SURFACE MOUNT, TWO ROW DUALLOBE, PLASTIC OR METAL		
1 PLC	± -	WEIGHT		SIZE	CAGE CODE	DRAWING NO
2 PLC	± -	CUSTOMER DRAWING		A2	00779	C=1589485
3 PLC	± -	SCALE		RESTRICTED TO		
4 PLC	± -	8:1		-		
ANGLES	± -	SHEET		REV		
FINISH	-	2 OF 2		F		

Mouser Electronics

Authorized Distributor

Click to View Pricing, Inventory, Delivery & Lifecycle Information:

[TE Connectivity:](#)

[1589485-4](#)