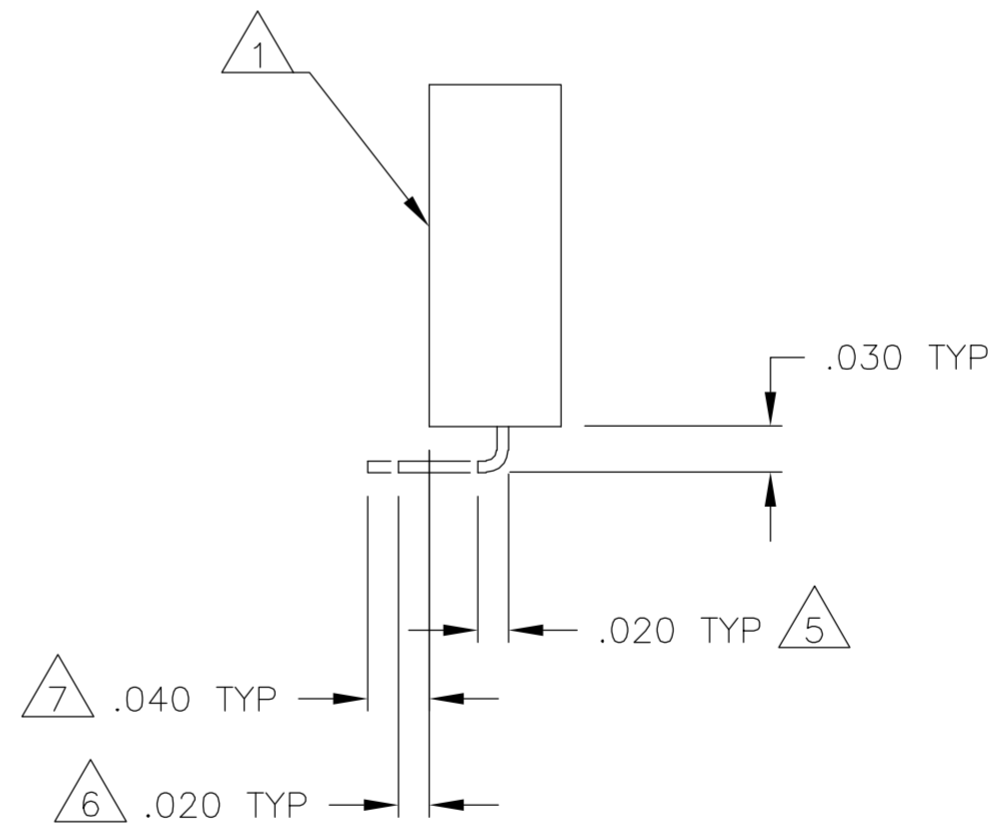
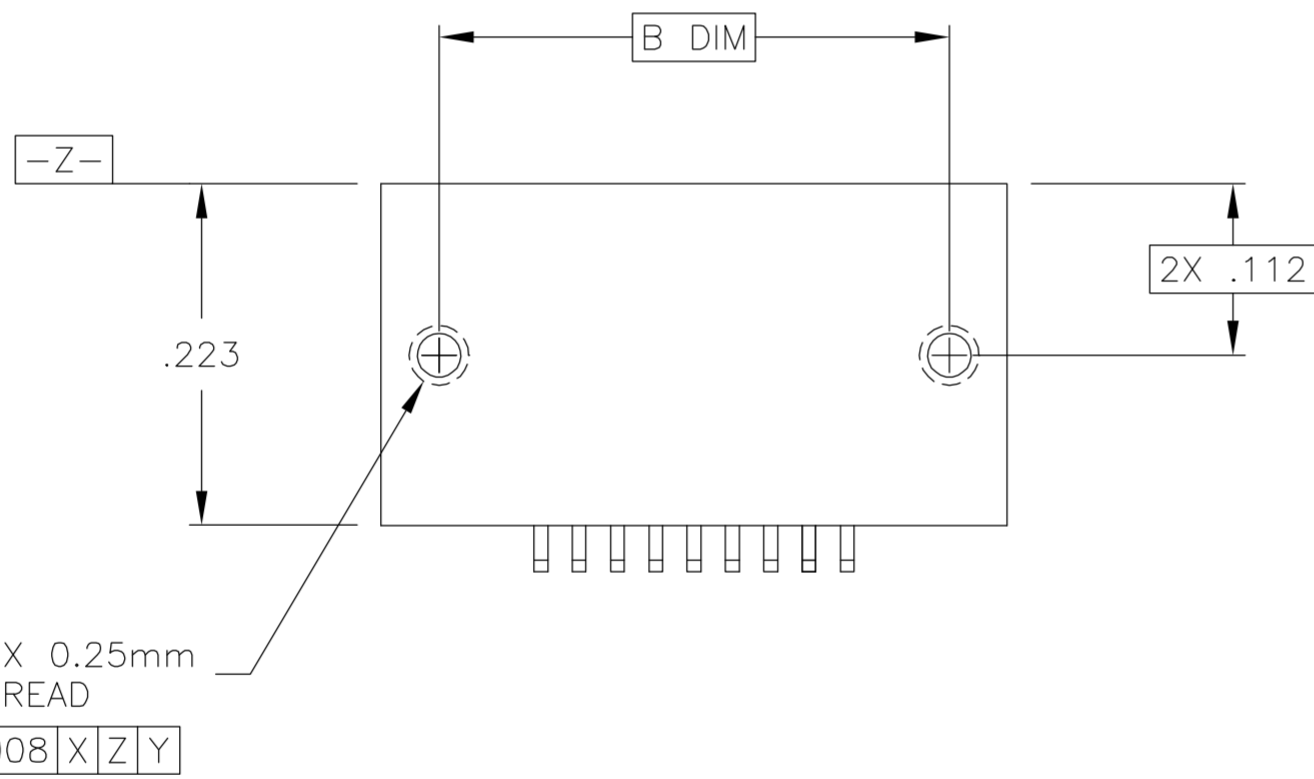
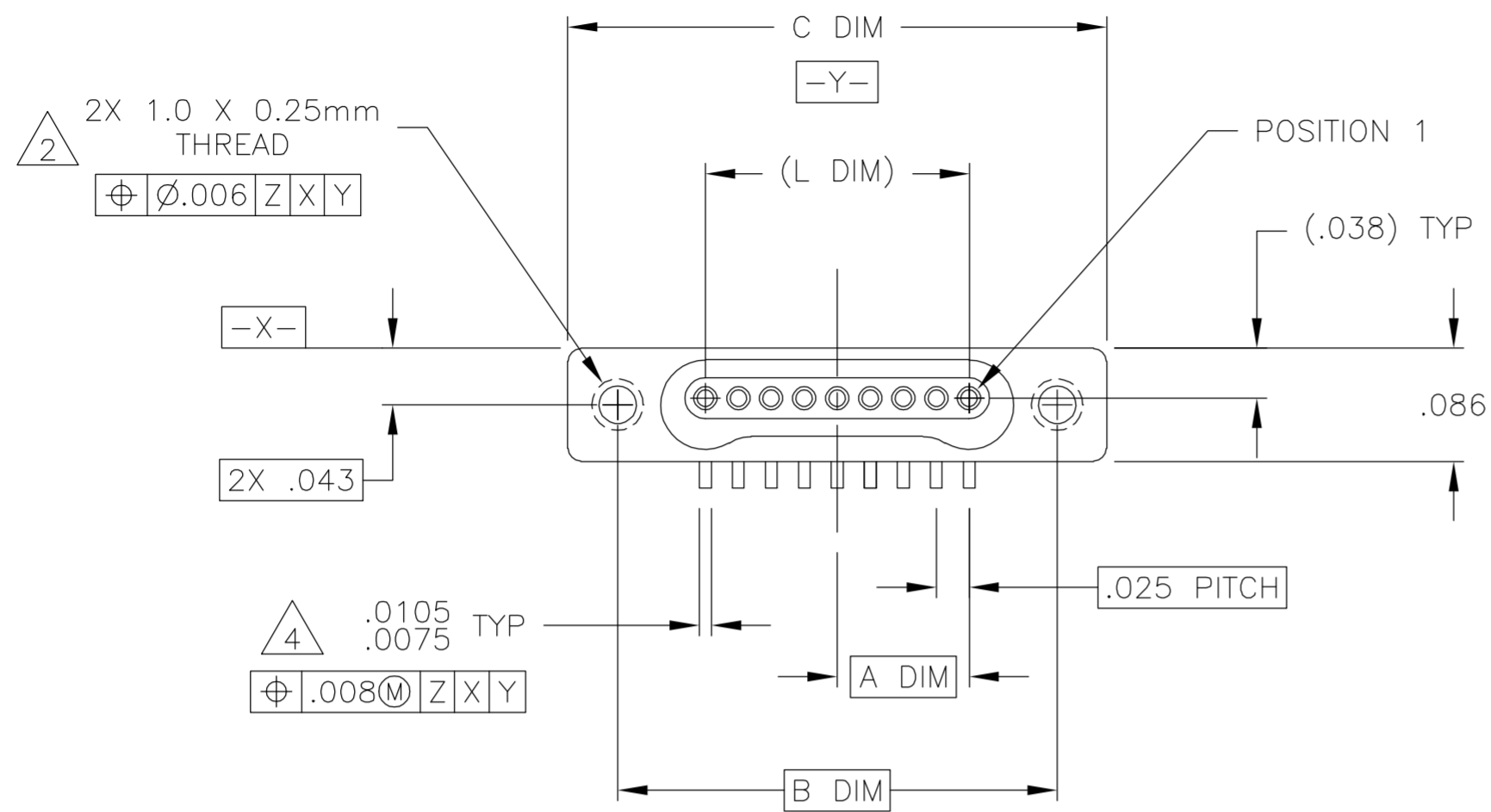


THIS DRAWING IS UNPUBLISHED. RELEASED FOR PUBLICATION
 © COPYRIGHT BY TYCO ELECTRONICS CORPORATION. ALL RIGHTS RESERVED.

LOC		DIST		REVISIONS			
P	LTR	DESCRIPTION		DATE	DWN	APVD	
		M1		UPDATE PER ECO-05-010808	3 OCT 05	CAS	MKS



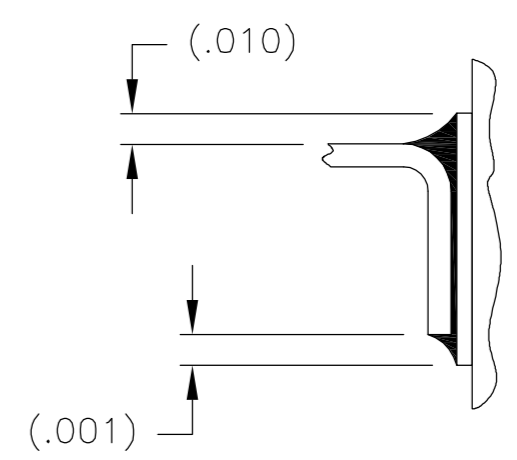
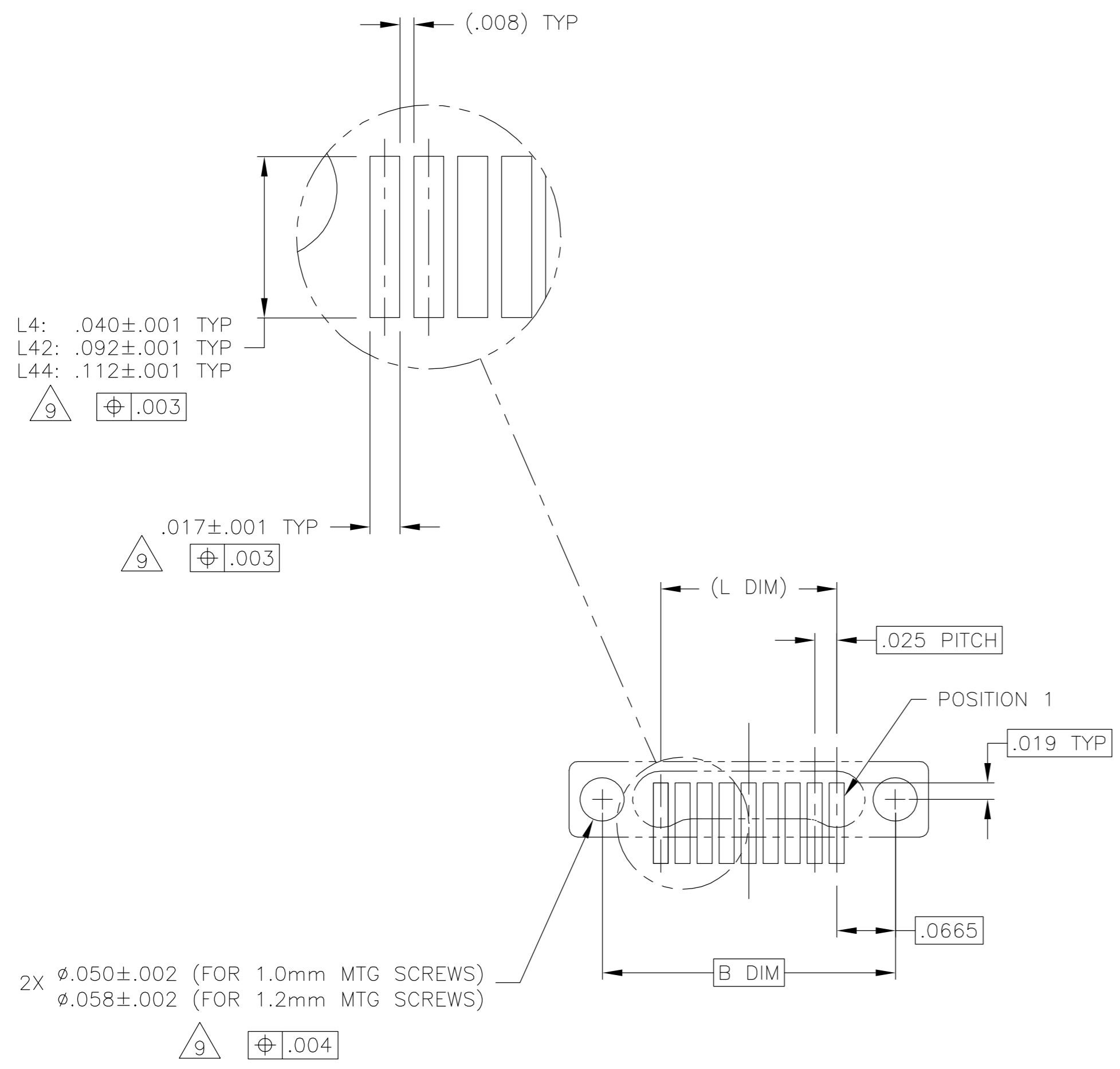
SIZE	A DIM	B DIM	C DIM $\pm .0050$	(L DIM)
05	.050	.233	.3085	(.100)
09	.100	.333	.4085	(.200)
15	.175	.483	.5585	(.350)
25	.300	.733	.8085	(.600)
37	.450	1.033	1.1085	(.900)
51	.625	1.383	1.4585	(1.250)

- 1 SHELL OPTIONS (TO BE SPECIFIED IN NANONICS PART NUMBER):
 METAL: 6061-T6 ALUMINUM, ELECTROLESS NICKEL PLATED PER SAE-AMS-C-26074 (STANDARD) OR GOLD PLATED PER ASTM B488
 303 STAINLESS STEEL, PASSIVATED PER SAE-AMS-2700
 INSULATOR MATERIAL FOR ALL METAL SHELLS IS LIQUID CRYSTAL POLYMER (LCP) PER MIL-M-24519 OR PER ASTM D5138
 PLASTIC: LIQUID CRYSTAL POLYMER (LCP) PER MIL-M-24519 OR PER ASTM D5138
- 2 STANDARD 1.0 X 0.25mm MOUNTING AND JACKSCREW THREADS ARE SHOWN FOR REFERENCE ONLY AND MUST BE SPECIFIED IN THE NANONICS PART NUMBER WHEN REQUIRED. 1.2 X 0.25mm THREADS ALSO AVAILABLE.
- 3 MOUNTING HARDWARE IS AVAILABLE WITH THIS CONFIGURATION (NOT SHOWN). HARDWARE MUST BE SPECIFIED IN THE NANONICS PART NUMBER. CONSULT TYCO ELECTRONICS FOR DETAILS.
- 4 LEAD MATERIAL: BeCu, TIN LEAD PLATED PER 60/40 COMPOSITION PER SAE-AMS-P-81728
- 5 NANONICS TERMINATION CODE: L4 6 NANONICS TERMINATION CODE: L42 7 NANONICS TERMINATION CODE: L44
- 8 THIS DRAWING PREVIOUSLY IDENTIFIED AS NANONICS N10138/132

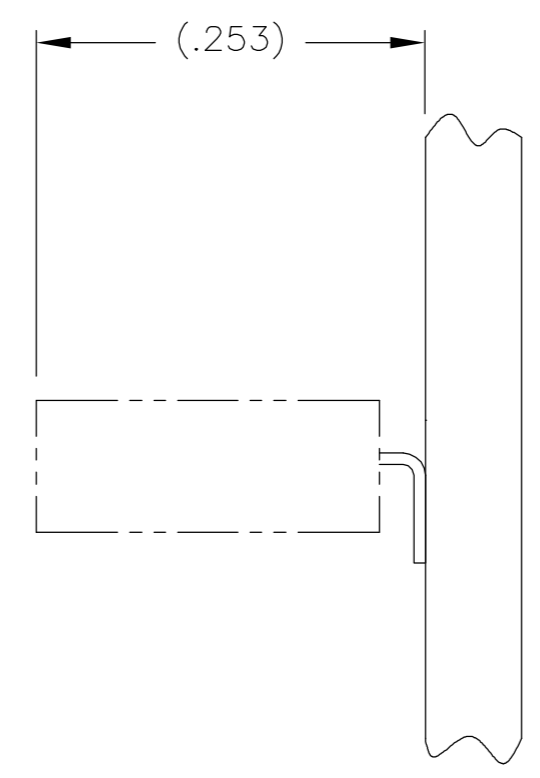
THIS DRAWING IS A CONTROLLED DOCUMENT.		DWN D RYAN 04-21-92	Tyco Electronics Corporation Harrisburg, PA 17105-3608																			
DIMENSIONS: INCHES		CHK E BURGER 02-28-93																				
TOLERANCES UNLESS OTHERWISE SPECIFIED:		APVD M STORRY 04-03-01	NAME RECEPTACLE ASSEMBLY, VERTICAL SURFACE MOUNT, SINGLE ROW DUALLOBE, PLASTIC OR METAL																			
<table border="1"> <tr><td>0 PLC</td><td>±</td><td>-</td></tr> <tr><td>1 PLC</td><td>±</td><td>-</td></tr> <tr><td>2 PLC</td><td>±</td><td>.010</td></tr> <tr><td>3 PLC</td><td>±</td><td>.005</td></tr> <tr><td>4 PLC</td><td>±</td><td>-</td></tr> <tr><td>ANGLES</td><td>±</td><td>1°</td></tr> </table>		0 PLC	±	-	1 PLC	±	-	2 PLC	±	.010	3 PLC	±	.005	4 PLC	±	-	ANGLES	±	1°	PRODUCT SPEC -	SIZE A2	CAGE CODE OPJN9
0 PLC	±	-																				
1 PLC	±	-																				
2 PLC	±	.010																				
3 PLC	±	.005																				
4 PLC	±	-																				
ANGLES	±	1°																				
MATERIAL SEE NOTES		FINISH SEE NOTES	WEIGHT -	DRAWING NO C=1589463																		
CUSTOMER DRAWING			SCALE 8:1	SHEET 1 of 2																		
			RESTRICTED TO -	REV M1																		

THIS DRAWING IS UNPUBLISHED. RELEASED FOR PUBLICATION
 © COPYRIGHT BY TYCO ELECTRONICS CORPORATION. ALL RIGHTS RESERVED.

LOC		DIST		REVISIONS			
P	LTR	DESCRIPTION	DATE	DWN	APVD		
-	-	SEE SHEET 1	-	-	-		



TYPICAL FOOT PLACEMENT ON SOLDER PAD



SIZE 09 SHOWN FOR REFERENCE

TYPICAL PCB LAYOUT

$\triangle 9$ POSITIONAL TOLERANCES FOR BASIC DIMENSIONED FEATURES ARE RELATIVE TO FIDUCIALS OR SOME SIMILAR DATUM REFERENCE DEFINED BY THE PCB DESIGNER.

THIS DRAWING IS A CONTROLLED DOCUMENT.		DWN D RYAN 04-21-92	 Tyco Electronics Corporation Harrisburg, PA 17105-3608																								
DIMENSIONS: INCHES		CHK E BURGER 02-28-93																									
TOLERANCES UNLESS OTHERWISE SPECIFIED:		APVD M STORRY 04-03-01	NAME																								
<table border="0"> <tr><td>0</td><td>PLC</td><td>\pm</td><td>-</td></tr> <tr><td>1</td><td>PLC</td><td>\pm</td><td>-</td></tr> <tr><td>2</td><td>PLC</td><td>\pm</td><td>.010</td></tr> <tr><td>3</td><td>PLC</td><td>\pm</td><td>.005</td></tr> <tr><td>4</td><td>PLC</td><td>\pm</td><td>-</td></tr> <tr><td colspan="2">ANGLES</td><td>\pm</td><td>1°</td></tr> </table>		0	PLC	\pm	-	1	PLC	\pm	-	2	PLC	\pm	.010	3	PLC	\pm	.005	4	PLC	\pm	-	ANGLES		\pm	1°	PRODUCT SPEC	RECEPTACLE ASSEMBLY, VERTICAL SURFACE MOUNT, SINGLE ROW DUALLOBE, PLASTIC OR METAL
0	PLC	\pm	-																								
1	PLC	\pm	-																								
2	PLC	\pm	.010																								
3	PLC	\pm	.005																								
4	PLC	\pm	-																								
ANGLES		\pm	1°																								
MATERIAL		APPLICATION SPEC	SIZE																								
SEE NOTES		FINISH	CAGE CODE																								
SEE NOTES		WEIGHT	DRAWING NO																								
SEE NOTES		CUSTOMER DRAWING	RESTRICTED TO																								
SCALE 8:1		SHEET 2 OF 2	REV M1																								

1589463

Mouser Electronics

Authorized Distributor

Click to View Pricing, Inventory, Delivery & Lifecycle Information:

[TE Connectivity:](#)

[1-1589463-1](#)