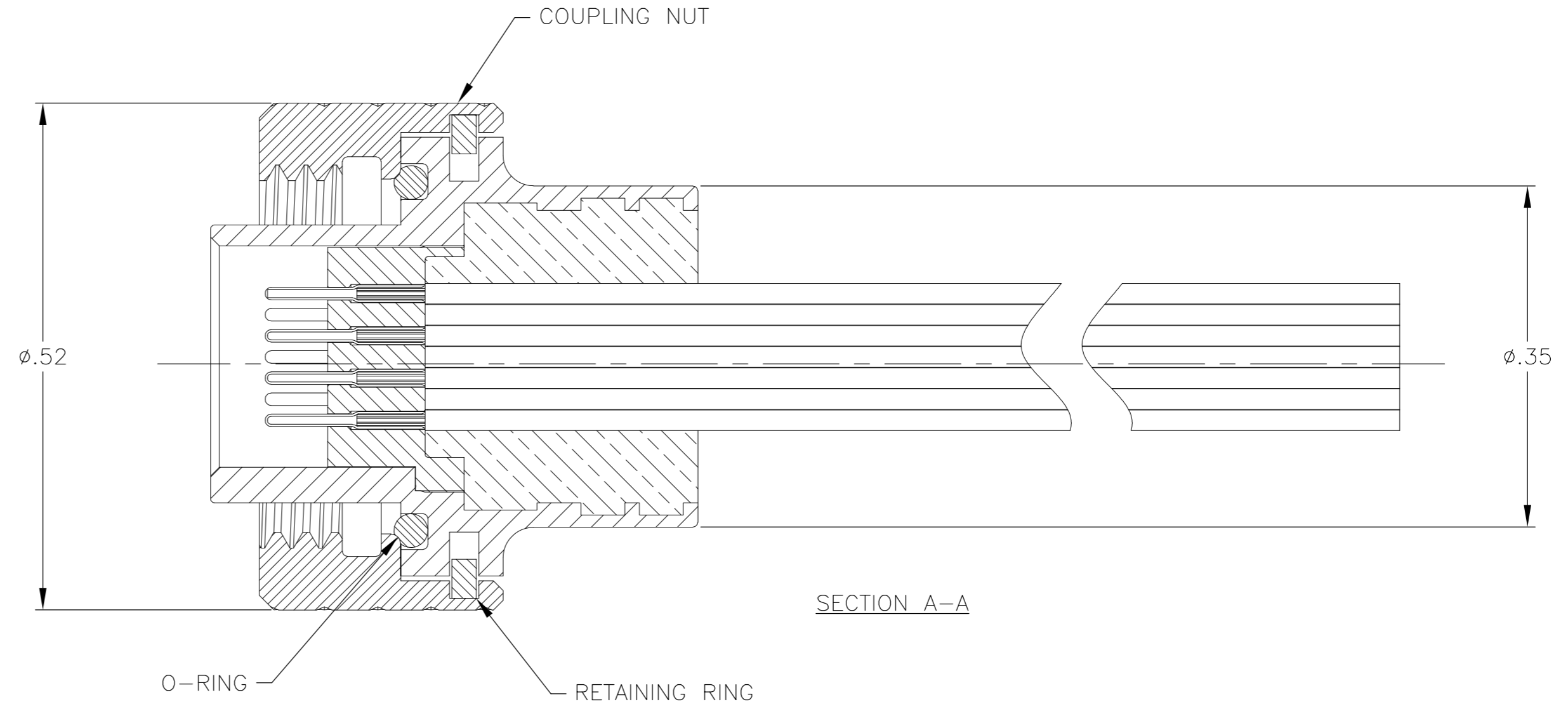
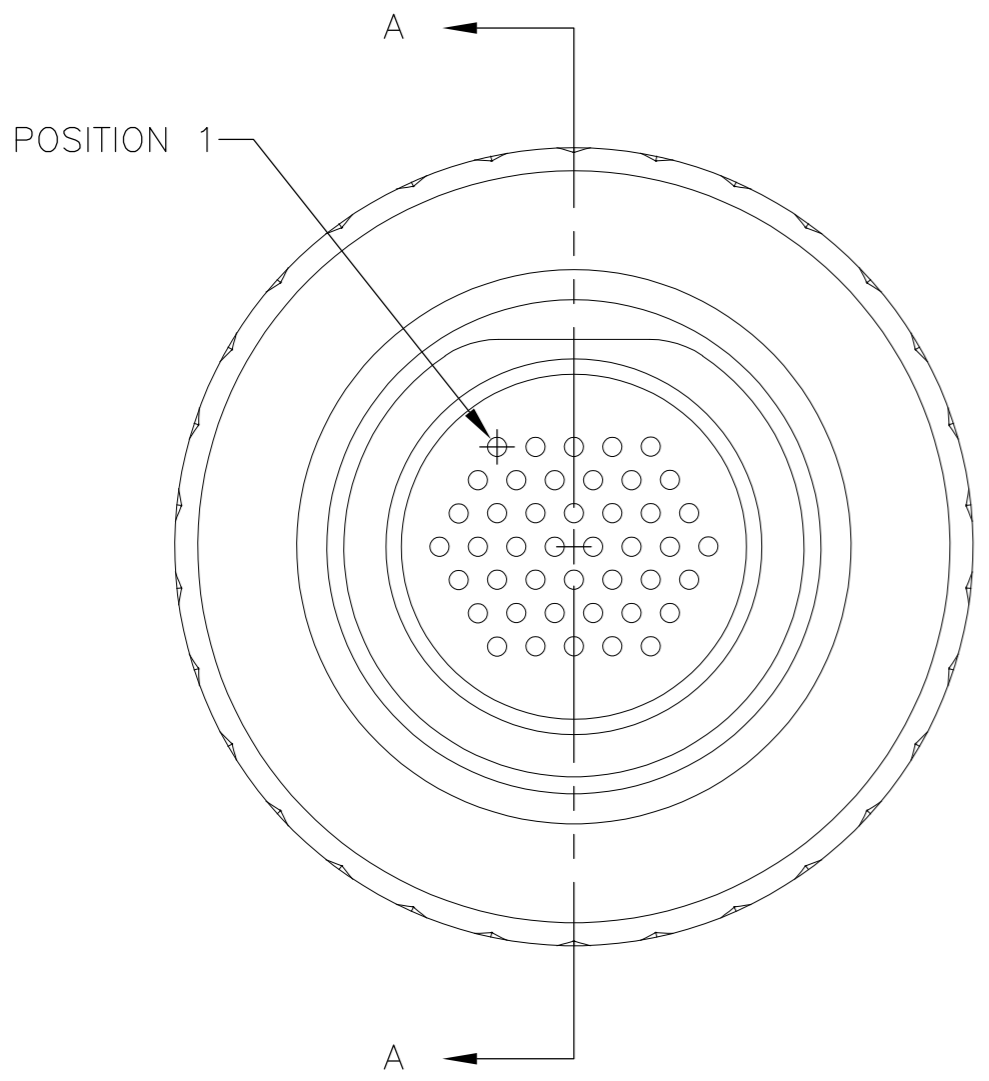
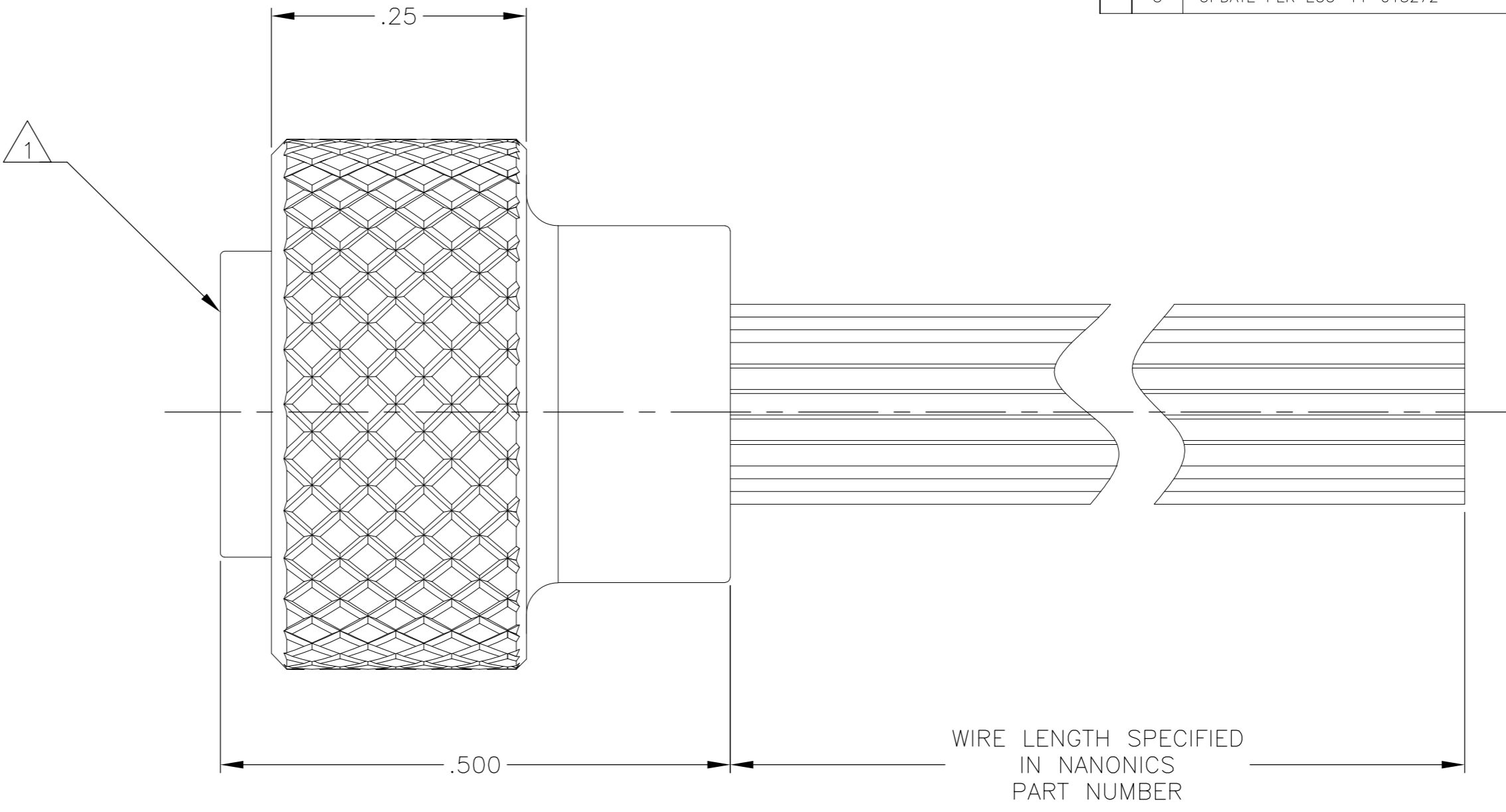
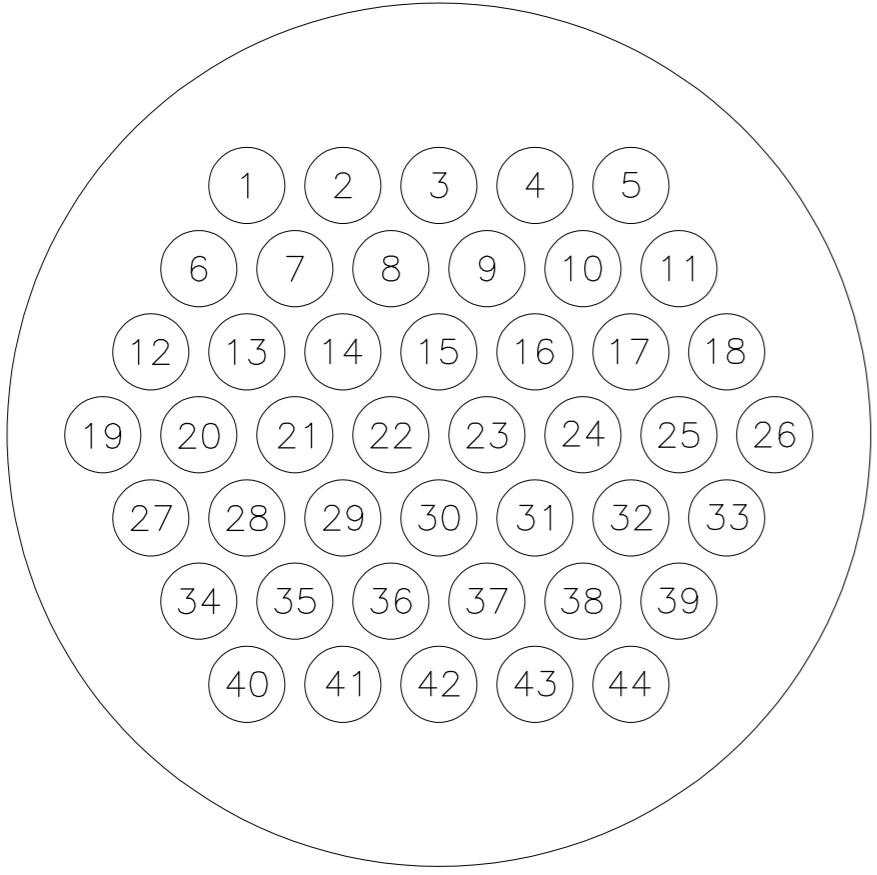


THIS DRAWING IS UNPUBLISHED. RELEASED FOR PUBLICATION
 © COPYRIGHT - By - ALL RIGHTS RESERVED.

LOC		DIST		REVISIONS			
P	LTR	DESCRIPTION		DATE	DWN	APVD	
	G	UPDATE PER ECO-11-013272		28 JUN 11	CAS	MKS	

CONTACT IDENTIFICATION



- 1 CONNECTOR BODY AND COUPLING NUT MATERIAL: 6061-T6 ALUMINUM, GOLD PLATED PER MIL-DTL-45204
 INSULATOR MATERIAL: LIQUID CRYSTAL POLYMER (LCP) PER ASTM D5138 OR POLYPHENYLENE SULFIDE (PPS) PER ASTM D4067
 RETAINING RING MATERIAL: STAINLESS STEEL, PASSIVATED PER SAE-AMS-2700
 O-RING MATERIAL: NITRILE
- 2 WIRE TERMINATION: 28 AWG SOLID, 30 AWG STRANDED WIRE OR SMALLER
- 3 PREVIOUS NANONICS DRAWING NUMBER C66011

THIS DRAWING IS A CONTROLLED DOCUMENT.		DWN	M. STORRY	05-06-97		TE Connectivity		
DIMENSIONS: INCHES		CHK	E. PAULUS	09-05-97		NAME		
TOLERANCES UNLESS OTHERWISE SPECIFIED:		APVD	M. STORRY	04-24-02		PLUG ASSEMBLY, 44 POSITION, CIRCULAR, NCG SERIES		
0 PLC ± - 1 PLC ± - 2 PLC ± .010 3 PLC ± .005 4 PLC ± - ANGLES ± 1°		PRODUCT SPEC				SIZE	CAGE CODE	DRAWING NO
MATERIAL SEE NOTE		FINISH	SEE NOTE		WEIGHT	A2 OPJN9 C=1589429		
		CUSTOMER DRAWING		SCALE	8:1	SHEET	1 of 1	
				REV	G			

Mouser Electronics

Authorized Distributor

Click to View Pricing, Inventory, Delivery & Lifecycle Information:

[TE Connectivity:](#)

[NCG044PC2DC036](#) [NCG044PC2DC006](#)